



Molded plastic front plate Degree of protection IP55 with actuator diaphragm and holder for circuit breaker Size S00

|                          |                            |
|--------------------------|----------------------------|
| product brand name       | SIRIUS                     |
| product category         | Enclosure                  |
| product designation      | Molded-plastic front plate |
| design of the product    | Installation               |
| product type designation | 3RV19                      |

**General technical data**

|   |            |
|---|------------|
| product function EMERGENCY OFF function | No         |
| protection class IP of the enclosure    | IP55       |
| Substance Prohibittance (Date)          | 07/01/2006 |
| Weight                                  | 0.21 kg    |
| material of the enclosure               | plastic    |

**Installation/ mounting/ dimensions**

|        |        |
|--------|--------|
| height | 107 mm |
| width  | 85 mm  |
| depth  | 12 mm  |

**Approvals Certificates**

|                          |                   |                      |
|--------------------------|-------------------|----------------------|
| General Product Approval | Test Certificates | Maritime application |
|--------------------------|-------------------|----------------------|



[Type Test Certificates/Test Report](#)



|                      |       |
|----------------------|-------|
| Maritime application | other |
|----------------------|-------|



[Confirmation](#)



**Environment**

[Environmental Confirmations](#)

**Further information**

Information on the packaging  
<https://support.industry.siemens.com/cs/ww/en/view/109813875>

Information for data generation and storage

<https://support.industry.siemens.com/cs/ww/en/view/109995012>

Information- and Downloadcenter (Catalogs, Brochures,...)

<https://www.siemens.com/ic10>

Industry Mall (Online ordering system)

<https://mall.industry.siemens.com/mall/en/en/Catalog/product?mlfb=3RV1913-4C>

Cax online generator

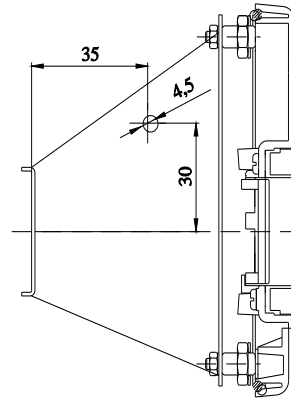
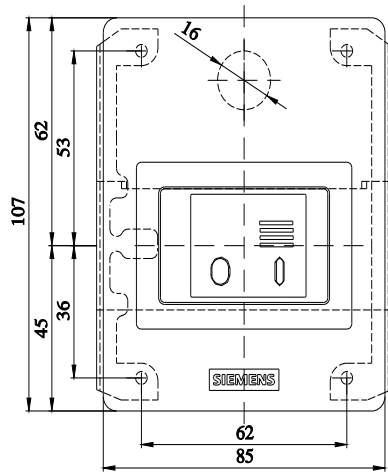
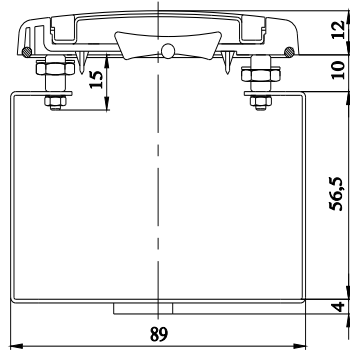
<https://support.automation.siemens.com/WW/CAXorder/default.aspx?lang=en&mlfb=3RV1913-4C>

Service&Support (Manuals, Certificates, Characteristics, FAQs,...)

<https://support.industry.siemens.com/cs/ww/en/ps/3RV1913-4C>

Image database (product images, 2D dimension drawings, 3D models, device circuit diagrams, EPLAN macros, ...)

[https://www.automation.siemens.com/bilddb/cax\\_de.aspx?mlfb=3RV1913-4C&lang=en](https://www.automation.siemens.com/bilddb/cax_de.aspx?mlfb=3RV1913-4C&lang=en)



last modified:

10/18/2025