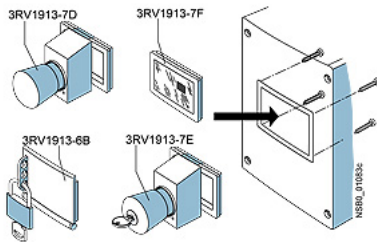


Locking device for 3 padlocks for enclosure 3RV1913



product brand name	SIRIUS
product category	Enclosure
product designation	Locking device
product type designation	3RV19
<b>General technical data</b>	
product function EMERGENCY OFF function	No
protection class IP of the enclosure	IP55
Substance Prohibitance (Date)	07/01/2006
Weight	0.034 kg

<b>Approvals Certificates</b>		
General Product Approval	Test Certificates	Maritime application



[Type Test Certificates/Test Report](#)



Maritime application	other
----------------------	-------



[Confirmation](#)



<b>Environment</b>
--------------------

[Environmental Confirmations](#)

<b>Further information</b>
----------------------------

Information on the packaging

<https://support.industry.siemens.com/cs/ww/en/view/109813875>

Information for data generation and storage

<https://support.industry.siemens.com/cs/ww/en/view/109995012>

Information- and Downloadcenter (Catalogs, Brochures,...)

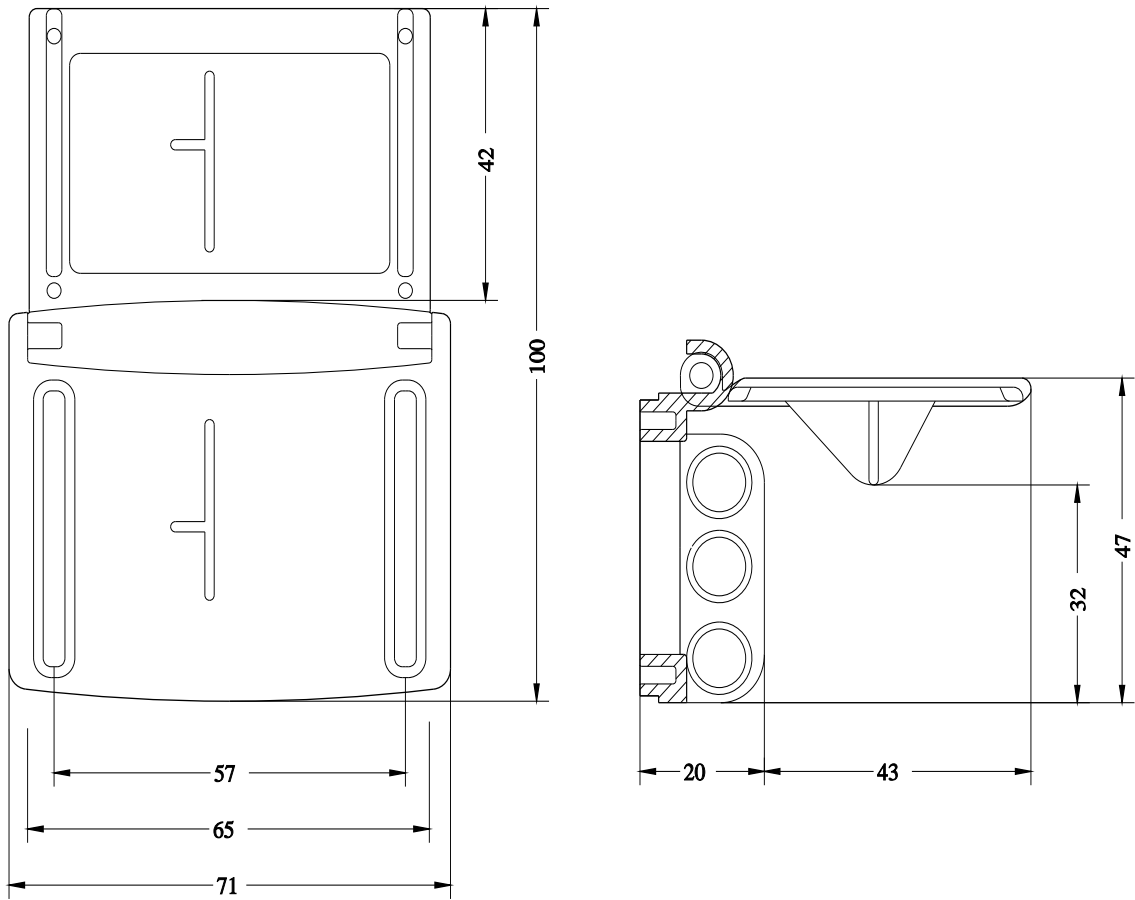
<https://www.siemens.com/ic10>

Industry Mall (Online ordering system)

<https://mall.industry.siemens.com/mall/en/en/Catalog/product?mlfb=3RV1913-6B>

Cax online generator

<https://support.automation.siemens.com/WW/CAXorder/default.aspx?lang=en&mlfb=3RV1913-6B>



last modified:

10/18/2025 