

cable connector for circuit breaker 3RV1011 with screw terminal (individual unit packaging)

product brand name	SIRIUS	
product category	Infeed systems	
product designation	Connection plug	
product type designation	3RV19	
suitability for use	circuit breaker 3RV1	
General technical data		
size of the circuit-breaker	S00	
power loss [W] for rated value of the current at AC in hot operating state per pole	0.22 W	
type of calculation of power loss depending on pole	quadratic	
protection class IP on the front according to IEC 60529	IP20	
thermal current	12 A	
Substance Prohibittance (Date)	07/01/2006	
Weight	0.036 kg	
number of poles for main current circuit	3	
operating voltage at AC rated value	500 V	
operational current rated value	12 A	
UL/CSA ratings		
operating voltage at AC according to UL rated value	600 V	
Environmental footprint		
Environmental Product Declaration (EPD)	Yes	
global warming potential [CO2 eq] total	9.06 kg	
global warming potential [CO2 eq] during manufacturing	0.313 kg	
global warming potential [CO2 eq] during operation	8.72 kg	
global warming potential [CO2 eq] after end of life	0.022 kg	
Electrical Safety		
protection class IP on the front according to IEC 60529	IP20	
touch protection on the front according to IEC 60529	finger-safe, for vertical contact from the front	
Short-circuit protection		
short-circuit rating	see table in the operating instructions	
Connections/ Terminals		
type of electrical connection for main current circuit	plug-in without terminals	
Approvals Certificates		
General Product Approval	Test Certificates	Maritime application



[Special Test Certificate](#)



Maritime application

other



[Miscellaneous](#)

other

Railway

Environment

[Confirmation](#)



[Special Test Certificate](#)



[Environmental Confirmations](#)

Further information

Information on the packaging

<https://support.industry.siemens.com/cs/ww/en/view/109813875>

Information for data generation and storage

<https://support.industry.siemens.com/cs/ww/en/view/109995012>

Information- and Downloadcenter (Catalogs, Brochures,...)

<https://www.siemens.com/ic10>

Industry Mall (Online ordering system)

<https://mall.industry.siemens.com/mall/en/en/Catalog/product?mlfb=3RV1917-5CA00>

Cax online generator

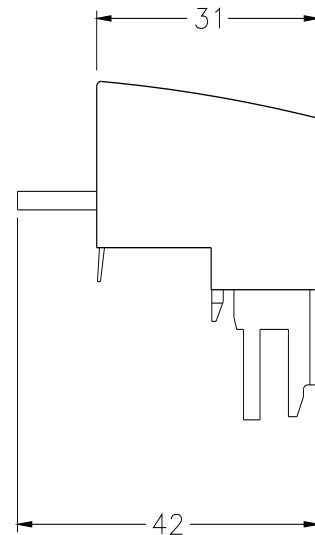
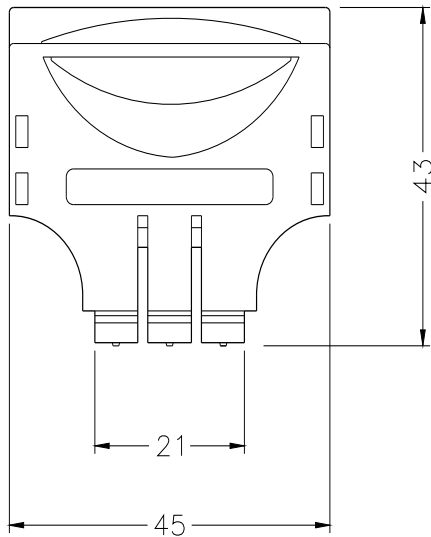
<https://support.automation.siemens.com/WW/CAXorder/default.aspx?lang=en&mlfb=3RV1917-5CA00>

Service&Support (Manuals, Certificates, Characteristics, FAQs,...)

<https://support.industry.siemens.com/cs/ww/en/ps/3RV1917-5CA00>

Image database (product images, 2D dimension drawings, 3D models, device circuit diagrams, EPLAN macros, ...)

https://www.automation.siemens.com/bilddb/cax_de.aspx?mlfb=3RV1917-5CA00&lang=en



last modified:

10/18/2025