



Molded-plastic enclosure for surface mounting Degree of protection IP55 with N and PE terminal Can be locked in O position 72 mm with metric cable gland No UL/CSA approval

Figure similar

product brand name	SIRIUS
product category	Enclosure
product designation	Molded-plastic enclosure for surface mounting
design of the product	Assembly
product type designation	3RV19

General technical data

product function EMERGENCY OFF function	No
protection class IP of the enclosure	IP55
Substance Prohibittance (Date)	07/01/2006
Weight	0.356 kg
material of the enclosure	plastic

Installation/ mounting/ dimensions

height	155 mm
width	105 mm
depth	126 mm

Approvals Certificates

General Product Approval	Test Certificates	Maritime application
--------------------------	-------------------	----------------------



[Type Test Certificates/Test Report](#)

[Special Test Certificate](#)



Maritime application	other	Railway
----------------------	-------	---------



[Confirmation](#)

[Miscellaneous](#)



[Special Test Certificate](#)

Environment

[Environmental Confirmations](#)

Further information

[Information on the packaging](#)

<https://support.industry.siemens.com/cs/ww/en/view/109813875>

Information for data generation and storage

<https://support.industry.siemens.com/cs/ww/en/view/109995012>

Information- and Downloadcenter (Catalogs, Brochures,...)

<https://www.siemens.com/ic10>

Industry Mall (Online ordering system)

<https://mall.industry.siemens.com/mall/en/en/Catalog/product?mlfb=3RV1923-1DA00>

Cax online generator

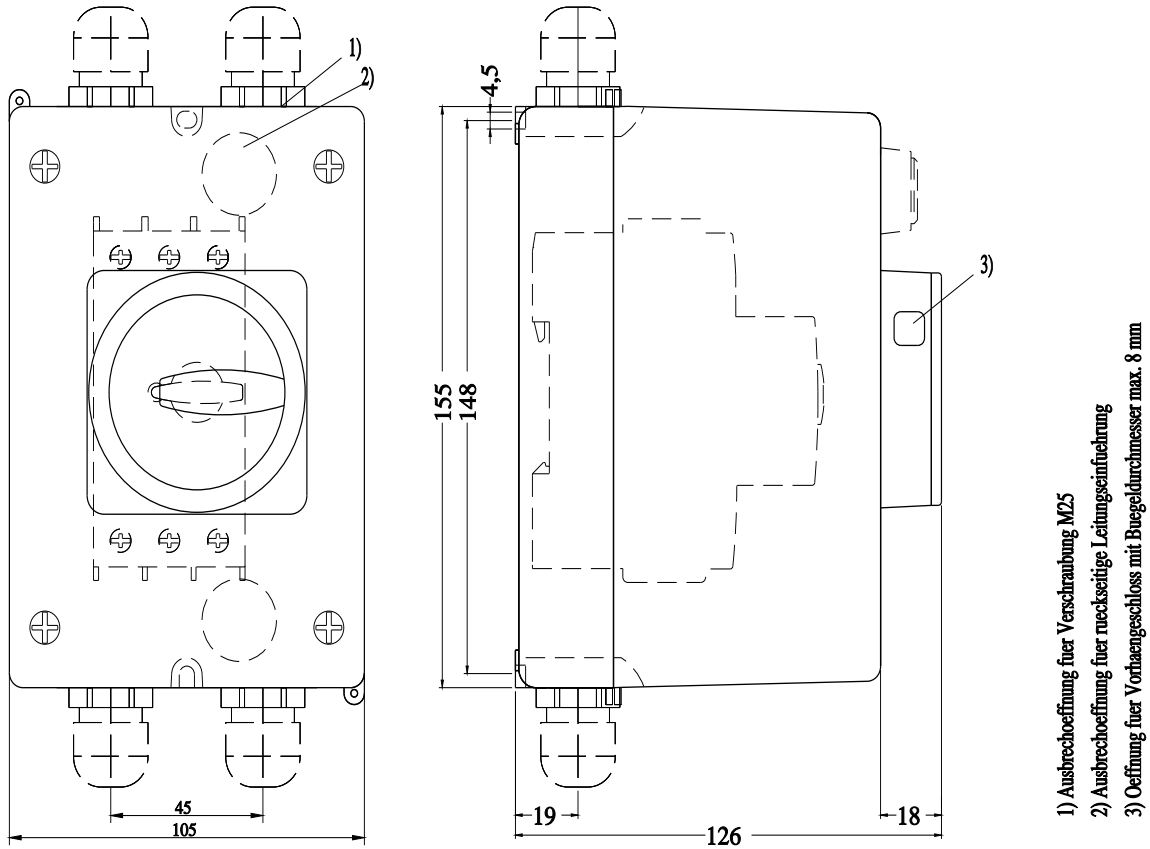
<https://support.automation.siemens.com/WW/CAXorder/default.aspx?lang=en&mlfb=3RV1923-1DA00>

Service&Support (Manuals, Certificates, Characteristics, FAQs,...)

<https://support.industry.siemens.com/cs/ww/en/ps/3RV1923-1DA00>

Image database (product images, 2D dimension drawings, 3D models, device circuit diagrams, EPLAN macros, ...)

https://www.automation.siemens.com/bilddb/cax_de.aspx?mlfb=3RV1923-1DA00&lang=en



last modified:

10/18/2025