



Molded plastic front plate Degree of protection IP55 with emergency stop rotary operating mechanism can be locked for circuit breaker Size S00, S0, S2, S3

product brand name	SIRIUS
product category	Enclosure
product designation	Molded-plastic front plate
design of the product	Installation
product type designation	3RV19

General technical data	
product function EMERGENCY OFF function	Yes
protection class IP of the enclosure	IP55
Substance Prohibitance (Date)	07/01/2006
Weight	0.121 kg
material of the enclosure	plastic

Installation/ mounting/ dimensions	
height	107 mm
width	85 mm
depth	31 mm

Approvals Certificates		
General Product Approval	Test Certificates	Maritime application



[Type Test Certificates/Test Report](#)



other	Environment
-------	-------------



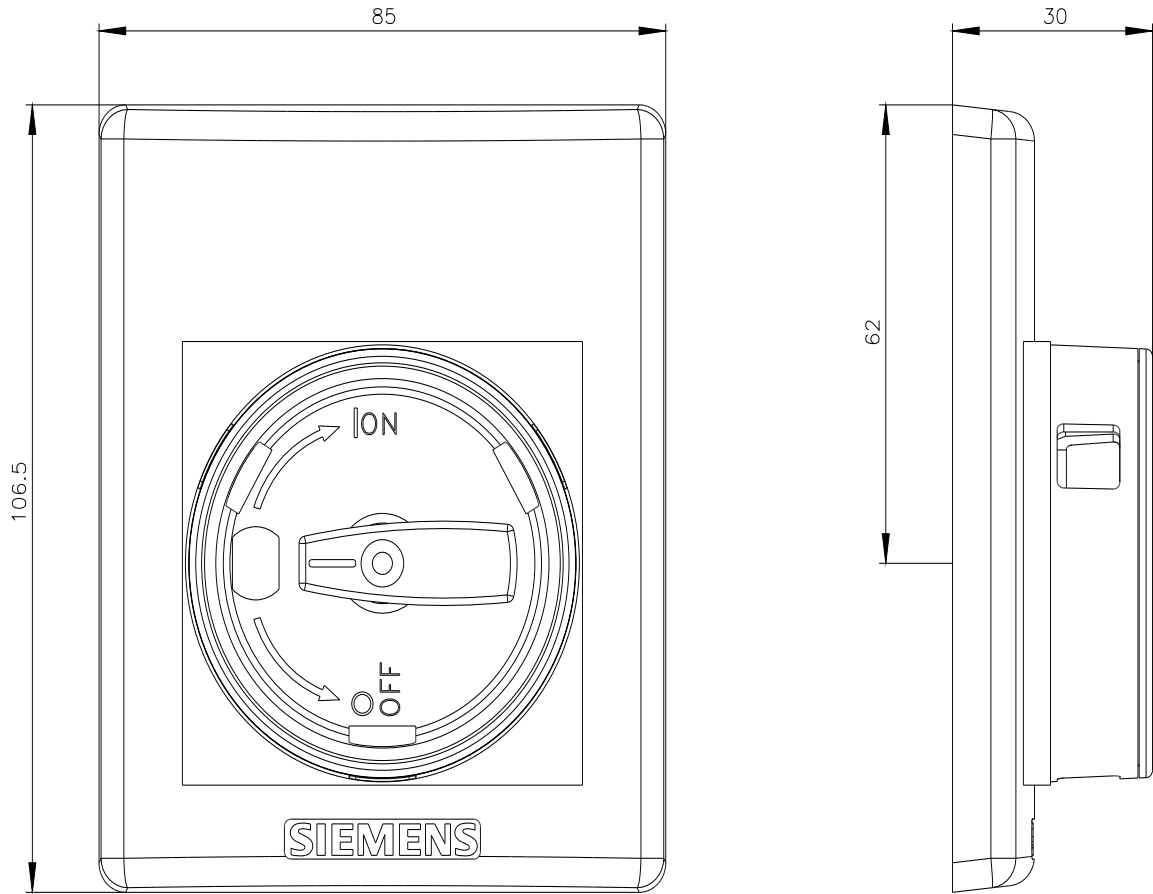
[Confirmation](#)



[Environmental Confirmations](#)

Further information

- Information on the packaging <https://support.industry.siemens.com/cs/ww/en/view/109813875>
- Information for data generation and storage <https://support.industry.siemens.com/cs/ww/en/view/109995012>
- Information- and Downloadcenter (Catalogs, Brochures,...) <https://www.siemens.com/ic10>
- Industry Mall (Online ordering system) <https://mall.industry.siemens.com/mall/en/en/Catalog/product?mlfb=3RV1923-4E>
- Cax online generator <https://support.automation.siemens.com/WW/CAXorder/default.aspx?lang=en&mlfb=3RV1923-4E>
- Service&Support (Manuals, Certificates, Characteristics, FAQs,...)



last modified:

10/18/2025 