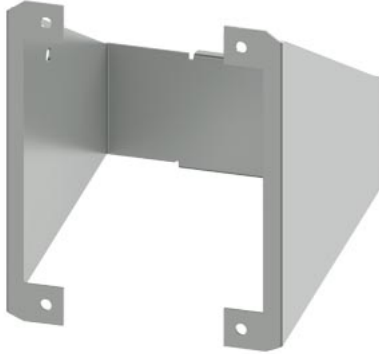


Holder for front plate Size S0



product brand name	SIRIUS
product category	Enclosure
product designation	Holder
product type designation	3RV19

General technical data

product function EMERGENCY OFF function	No
Substance Prohibitance (Date)	07/01/2006
Weight	0.172 kg
material of the enclosure	metal

Installation/ mounting/ dimensions

height	92 mm
width	70 mm
depth	85 mm

Approvals Certificates

General Product Approval	Maritime application	other
--------------------------	----------------------	-------



other	Environment
-------	-------------

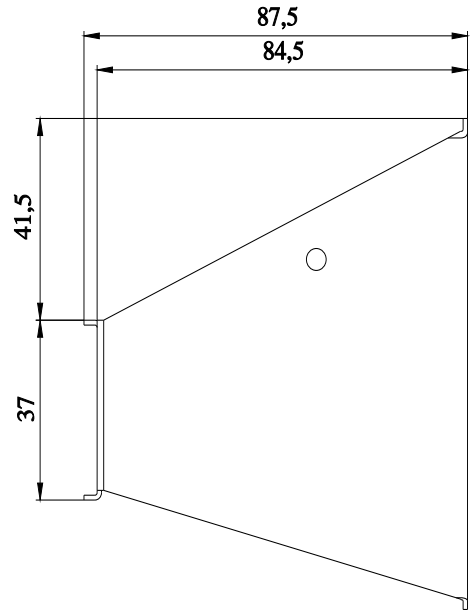
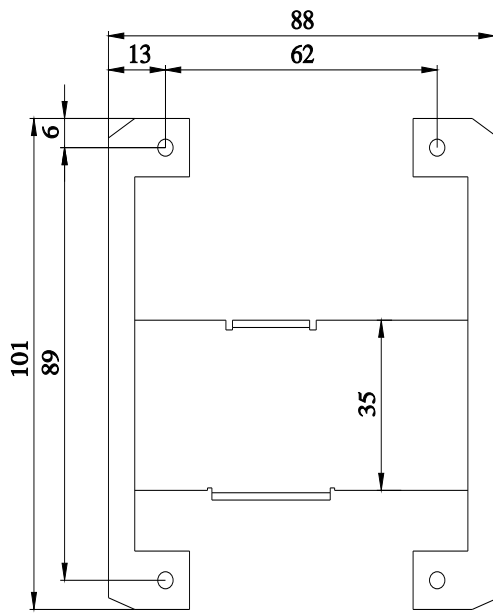
[Confirmation](#)



[Environmental Con-
firmations](#)

Further information

- Information on the packaging
<https://support.industry.siemens.com/cs/ww/en/view/109813875>
- Information for data generation and storage
<https://support.industry.siemens.com/cs/ww/en/view/109995012>
- Information- and Downloadcenter (Catalogs, Brochures,...)
<https://www.siemens.com/ic10>
- Industry Mall (Online ordering system)
<https://mall.industry.siemens.com/mall/en/en/Catalog/product?mlfb=3RV1923-4G>
- Cax online generator
<https://support.automation.siemens.com/WW/CAXorder/default.aspx?lang=en&mlfb=3RV1923-4G>
- Service&Support (Manuals, Certificates, Characteristics, FAQs,...)
<https://support.industry.siemens.com/cs/ww/en/ps/3RV1923-4G>
- Image database (product images, 2D dimension drawings, 3D models, device circuit diagrams, EPLAN macros, ...)
https://www.automation.siemens.com/bilddb/cax_de.aspx?mlfb=3RV1923-4G&lang=en



last modified:

10/18/2025 