



circuit breaker size S0 for system protection without phase failure protection A-release 0.45...0.63 A short-circuit release 8.2 A screw terminal standard switching capacity

| | |
|--|-----------------------|
| product brand name | SIRIUS |
| product designation | Circuit breaker |
| design of the product | for system protection |
| product type designation | 3RV2 |
| General technical data | |
| size of the circuit-breaker | S0 |
| size of contactor can be combined company-specific | S00, S0 |
| product extension auxiliary switch | Yes |
| power loss [W] for rated value of the current | |
| • at AC in hot operating state | 7.25 W |
| • at AC in hot operating state per pole | 2.4 W |
| insulation voltage with degree of pollution 3 at AC rated value | 690 V |
| surge voltage resistance rated value | 6 kV |
| shock resistance according to IEC 60068-2-27 | 25g / 11 ms Sinus |
| mechanical service life (operating cycles) | |
| • of the main contacts typical | 100 000 |
| • of auxiliary contacts typical | 100 000 |
| electrical endurance (operating cycles) typical | 100 000 |
| reference code according to IEC 81346-2 | Q |
| Substance Prohibitance (Date) | 10/01/2009 |
| Weight | 0.3 kg |
| Ambient conditions | |
| installation altitude at height above sea level maximum | 2 000 m |
| ambient temperature | |
| • during operation | -20 ... +60 °C |
| • during storage | -50 ... +80 °C |
| • during transport | -50 ... +80 °C |
| relative humidity during operation | 10 ... 95 % |
| Environmental footprint | |
| Environmental Product Declaration(EPD) | Yes |
| global warming potential [CO2 eq] total | 75.078 kg |
| global warming potential [CO2 eq] during manufacturing | 2.68 kg |
| global warming potential [CO2 eq] during sales | 0.143 kg |
| global warming potential [CO2 eq] during operation | 72.7 kg |
| global warming potential [CO2 eq] after end of life | -0.445 kg |
| Main circuit | |
| number of poles for main current circuit | 3 |
| adjustable current response value current of the current-dependent overload release | 0.45 ... 0.63 A |

| | |
|--|--|
| type of voltage for main current circuit | AC |
| operating voltage | |
| • rated value | 20 ... 690 V |
| • at AC-3 rated value maximum | 690 V |
| • at AC-3e rated value maximum | 690 V |
| operating frequency rated value | 50 ... 60 Hz |
| operational current rated value | 0.63 A |
| operational current | |
| • at AC-3 at 400 V rated value | 0.63 A |
| • at AC-3e at 400 V rated value | 0.63 A |
| operating power | |
| • at AC-3 | |
| — at 230 V rated value | 0.1 kW |
| — at 400 V rated value | 0.2 kW |
| — at 500 V rated value | 0.2 kW |
| — at 690 V rated value | 0.3 kW |
| • at AC-3e | |
| — at 230 V rated value | 0.1 kW |
| — at 400 V rated value | 0.2 kW |
| — at 500 V rated value | 0.2 kW |
| — at 690 V rated value | 0.3 kW |
| operating frequency | |
| • at AC-3 maximum | 15 1/h |
| • at AC-3e maximum | 15 1/h |
| Auxiliary circuit | |
| type of voltage for auxiliary and control circuit | AC/DC |
| number of NC contacts for auxiliary contacts | 0 |
| number of NO contacts for auxiliary contacts | 0 |
| number of CO contacts for auxiliary contacts | 0 |
| Protective and monitoring functions | |
| product function | |
| • ground fault detection | No |
| • phase failure detection | No |
| trip class | CLASS 10 |
| design of the overload release | thermal |
| maximum short-circuit current breaking capacity (I_{cu}) | |
| • at AC at 240 V rated value | 100 kA |
| • at AC at 400 V rated value | 100 kA |
| • at AC at 500 V rated value | 100 kA |
| • at AC at 690 V rated value | 100 kA |
| operating short-circuit current breaking capacity (I_{cs}) at AC | |
| • at 240 V rated value | 100 kA |
| • at 400 V rated value | 100 kA |
| • at 500 V rated value | 100 kA |
| • at 690 V rated value | 100 kA |
| response value current of instantaneous short-circuit trip unit | 8.2 A |
| Short-circuit protection | |
| product function short circuit protection | Yes |
| design of the short-circuit trip | magnetic |
| design of the fuse link for IT network for short-circuit protection of the main circuit | |
| • at 690 V | gG 6 A |
| Installation/ mounting/ dimensions | |
| mounting position | any |
| fastening method | screw and snap-on mounting onto 35 mm DIN rail according to DIN EN 60715 |
| height | 97 mm |
| width | 45 mm |
| depth | 97 mm |
| required spacing | |

| | |
|---|---|
| <ul style="list-style-type: none"> • with side-by-side mounting at the side | 0 mm |
| <ul style="list-style-type: none"> • for grounded parts at 400 V <ul style="list-style-type: none"> — downwards — upwards — at the side | 30 mm 30 mm 9 mm |
| <ul style="list-style-type: none"> • for live parts at 400 V <ul style="list-style-type: none"> — downwards — upwards — at the side | 30 mm 30 mm 9 mm |
| <ul style="list-style-type: none"> • for grounded parts at 500 V <ul style="list-style-type: none"> — downwards — upwards — at the side | 30 mm 30 mm 9 mm |
| <ul style="list-style-type: none"> • for live parts at 500 V <ul style="list-style-type: none"> — downwards — upwards — at the side | 30 mm 30 mm 9 mm |
| <ul style="list-style-type: none"> • for grounded parts at 690 V <ul style="list-style-type: none"> — downwards — upwards — backwards — at the side — forwards | 50 mm 50 mm 0 mm 30 mm 0 mm |
| <ul style="list-style-type: none"> • for live parts at 690 V <ul style="list-style-type: none"> — downwards — upwards — backwards — at the side — forwards | 50 mm 50 mm 0 mm 30 mm 0 mm |

Connections/ Terminals

| | |
|--|--|
| type of electrical connection | |
| <ul style="list-style-type: none"> • for main current circuit | screw-type terminals |
| arrangement of electrical connectors for main current circuit | Top and bottom |
| type of connectable conductor cross-sections | |
| <ul style="list-style-type: none"> • for main contacts <ul style="list-style-type: none"> — solid or stranded — finely stranded with core end processing | 2x (1 ... 2.5 mm ²), 2x (2.5 ... 10 mm ²) 2x (1 ... 2.5 mm ²), 2x (2.5 ... 6 mm ²), 1x 10 mm ² |
| tightening torque | |
| <ul style="list-style-type: none"> • for main contacts with screw-type terminals | 2 ... 2.5 N·m |
| design of screwdriver shaft | Diameter 5 to 6 mm |
| size of the screwdriver tip | Pozidriv size 2 |
| design of the thread of the connection screw | |
| <ul style="list-style-type: none"> • for main contacts | M4 |

Safety related data

| | |
|---|--------------|
| product function suitable for safety function | Yes |
| suitability for use | |
| <ul style="list-style-type: none"> • safety-related switching on • safety-related switching OFF | No Yes |
| service life maximum | 10 a |
| test wear-related service life necessary | Yes |
| proportion of dangerous failures | |
| <ul style="list-style-type: none"> • with low demand rate according to SN 31920 • with high demand rate according to SN 31920 | 40 % 50 % |
| B10 value with high demand rate according to SN 31920 | 5 000 |
| failure rate [FIT] with low demand rate according to SN 31920 | 50 FIT |
| ISO 13849 | |
| device type according to ISO 13849-1 | 3 |

| | |
|--|--|
| overdimensioning according to ISO 13849-2 necessary | Yes |
| IEC 61508 | |
| safety device type according to IEC 61508-2 | Type A |
| T1 value | 10 a |
| <ul style="list-style-type: none"> for proof test interval or service life according to IEC 61508 | |
| Electrical Safety | |
| protection class IP on the front according to IEC 60529 | IP20 |
| touch protection on the front according to IEC 60529 | finger-safe, for vertical contact from the front |
| Display | |
| display version for switching status | Handle |

Approvals Certificates



| | | |
|--------------------------|-------------------|----------------------|
| General Product Approval | Test Certificates | Maritime application |
|--------------------------|-------------------|----------------------|



| | |
|----------------------|-------|
| Maritime application | other |
|----------------------|-------|

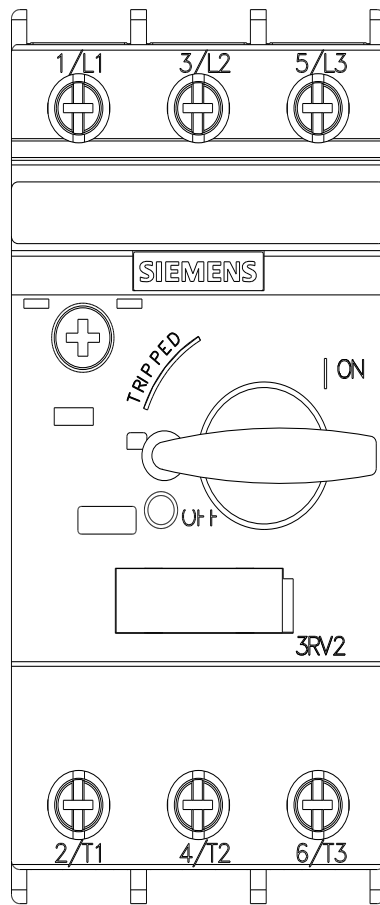


| | | |
|-------|---------|-------------|
| other | Railway | Environment |
|-------|---------|-------------|



Further information

Information on the packaging
<https://support.industry.siemens.com/cs/ww/en/view/109813875>
Information for data generation and storage
<https://support.industry.siemens.com/cs/ww/en/view/109995012>
Information- and Downloadcenter (Catalogs, Brochures,...)
<https://www.siemens.com/ic10>
Industry Mall (Online ordering system)
<https://mall.industry.siemens.com/mall/en/en/Catalog/product?mlfb=3RV2021-0GA10-0DA0>
Cax online generator
<https://support.automation.siemens.com/WW/CAXorder/default.aspx?lang=en&mlfb=3RV2021-0GA10-0DA0>
Service&Support (Manuals, Certificates, Characteristics, FAQs,...)
<https://support.industry.siemens.com/cs/ww/en/ps/3RV2021-0GA10-0DA0>
Image database (product images, 2D dimension drawings, 3D models, device circuit diagrams, EPLAN macros, ...)
https://www.automation.siemens.com/bilddb/cax_de.aspx?mlfb=3RV2021-0GA10-0DA0&lang=en
Characteristic: Tripping characteristics, I_t, Let-through current
<https://support.industry.siemens.com/cs/ww/en/ps/3RV2021-0GA10-0DA0/char>
Further characteristics (e.g. electrical endurance, switching frequency)
<https://www.automation.siemens.com/bilddb/index.aspx?view=Search&mlfb=3RV2021-0GA10-0DA0&objecttype=14&gridview=view1>





last modified:

11/11/2025 