

Siemens  
EcoTech



Special type Circuit breaker size S0 for motor protection, Class 10 A-release  
27...32 A N-release 400 A Spring type terminal Standard switching capacity  
Ambient temperature -50 °C 500 switching cycles



product brand name	SIRIUS
product designation	Circuit breaker
design of the product	For motor protection
product type designation	3RV2
<b>General technical data</b>	
size of the circuit-breaker	S0
Substance Prohibition (Date)	10/01/2009
SVHC substance name	Lead titanium zirconium oxide - 12626-81-2
Weight	0.43 kg
<b>Environmental footprint</b>	
Environmental Product Declaration (EPD)	Yes
global warming potential [CO2 eq] total	75.078 kg
global warming potential [CO2 eq] during manufacturing	2.68 kg
global warming potential [CO2 eq] during sales	0.143 kg
global warming potential [CO2 eq] during operation	72.7 kg
global warming potential [CO2 eq] after end of life	-0.445 kg
Siemens Eco Profile (SEP)	Siemens EcoTech
<b>Main circuit</b>	
adjustable current response value current of the current-dependent overload release	27 ... 32 A
type of voltage for main current circuit	AC
operating voltage	
• rated value	20 ... 690 V
• at AC-3 rated value maximum	690 V
operational current rated value	32 A
operational current	
• at AC-3 at 400 V rated value	32 A
operating power	
• at AC-3	
— at 230 V rated value	7.5 kW
— at 400 V rated value	15 kW
— at 500 V rated value	18.5 kW
— at 690 V rated value	30 kW
operating frequency	
• at AC-3 maximum	15 1/h
<b>Protective and monitoring functions</b>	

<b>trip class</b>	CLASS 10
<b>maximum short-circuit current breaking capacity (Icu)</b>	
• at AC at 240 V rated value	25 kA
• at AC at 400 V rated value	25 kA
• at AC at 500 V rated value	10 kA
• at AC at 690 V rated value	4 kA
<b>operating short-circuit current breaking capacity (Ics) at AC</b>	
• at 240 V rated value	100 kA
• at 400 V rated value	25 kA
• at 500 V rated value	5 kA
• at 690 V rated value	2 kA
response value current of instantaneous short-circuit trip unit	400 A

**Short-circuit protection**

<b>design of the short-circuit trip</b>	magnetic
---	----------

**Installation/ mounting/ dimensions**

<b>fastening method</b>	screw and snap-on mounting onto 35 mm DIN rail according to DIN EN 60715
-------------------------	--

**Connections/ Terminals**

<b>arrangement of electrical connectors for main current circuit</b>	Top and bottom
--	----------------

<b>design of screwdriver shaft</b>	Diameter 3 mm
------------------------------------	---------------

**Electrical Safety**

<b>protection class IP on the front according to IEC 60529</b>	IP20
--	------

<b>touch protection on the front according to IEC 60529</b>	finger-safe, for vertical contact from the front
---	--

**Approvals Certificates**

**General Product Approval**



KC



**Test Certificates**      **Maritime application**

[Type Test Certificates/Test Report](#)

[Special Test Certificate](#)



**Maritime application**      **other**



[Miscellaneous](#)



[Confirmation](#)



**Railway**      **Environment**

[Special Test Certificate](#)

[Confirmation](#)



[Environmental Confirmations](#)

**Further information**

**Information on the packaging**

<https://support.industry.siemens.com/cs/ww/en/view/109813875>

**Information for data generation and storage**

<https://support.industry.siemens.com/cs/ww/en/view/109995012>

**Information- and Downloadcenter (Catalogs, Brochures,...)**

<https://www.siemens.com/ic10>

**Industry Mall (Online ordering system)**

<https://mall.industry.siemens.com/mall/en/en/Catalog/product?mlfb=3RV2021-4FA20-0BA0>

Cax online generator

<https://support.automation.siemens.com/WW/CAXorder/default.aspx?lang=en&mlfb=3RV2021-4EA20-0BA0>

Service&Support (Manuals, Certificates, Characteristics, FAQs,...)

<https://support.industry.siemens.com/cs/ww/en/ps/3RV2021-4EA20-0BA0>

Image database (product images, 2D dimension drawings, 3D models, device circuit diagrams, EPLAN macros, ...)

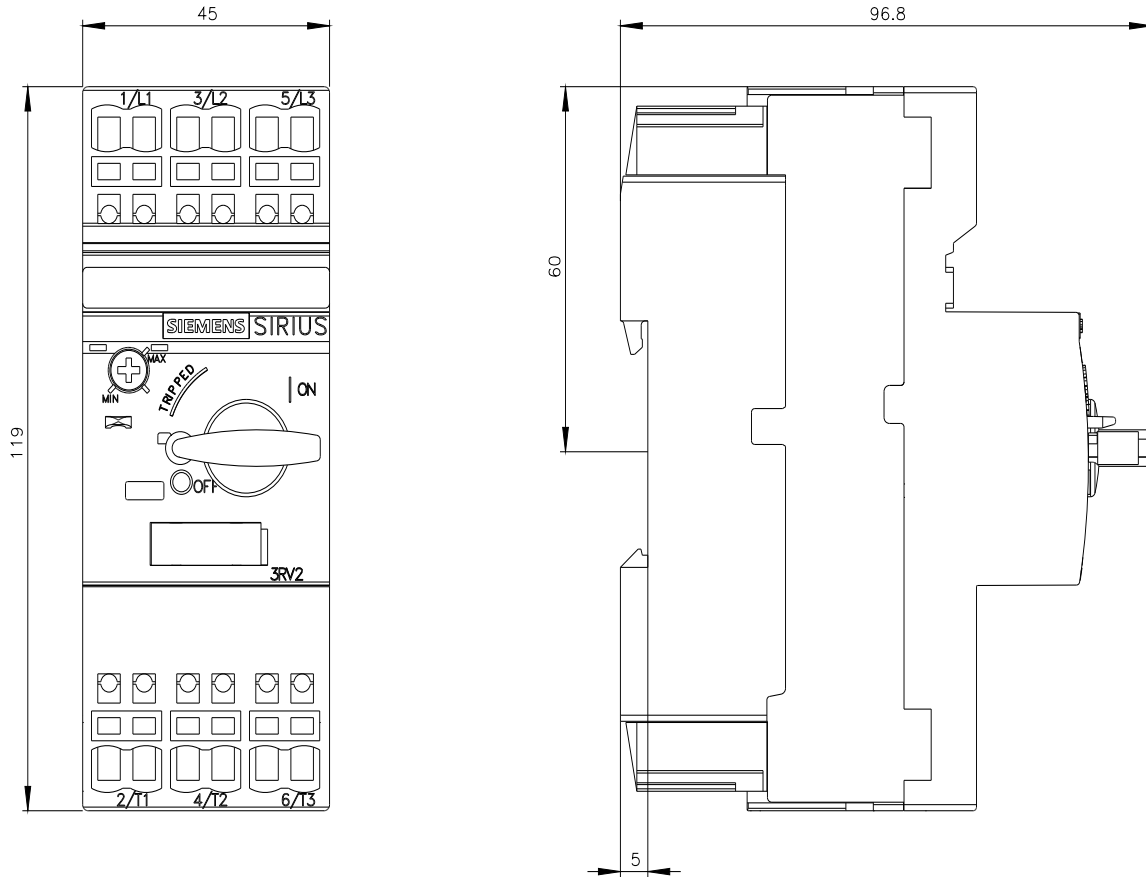
[https://www.automation.siemens.com/bilddb/cax\\_de.aspx?mlfb=3RV2021-4EA20-0BA0&lang=en](https://www.automation.siemens.com/bilddb/cax_de.aspx?mlfb=3RV2021-4EA20-0BA0&lang=en)

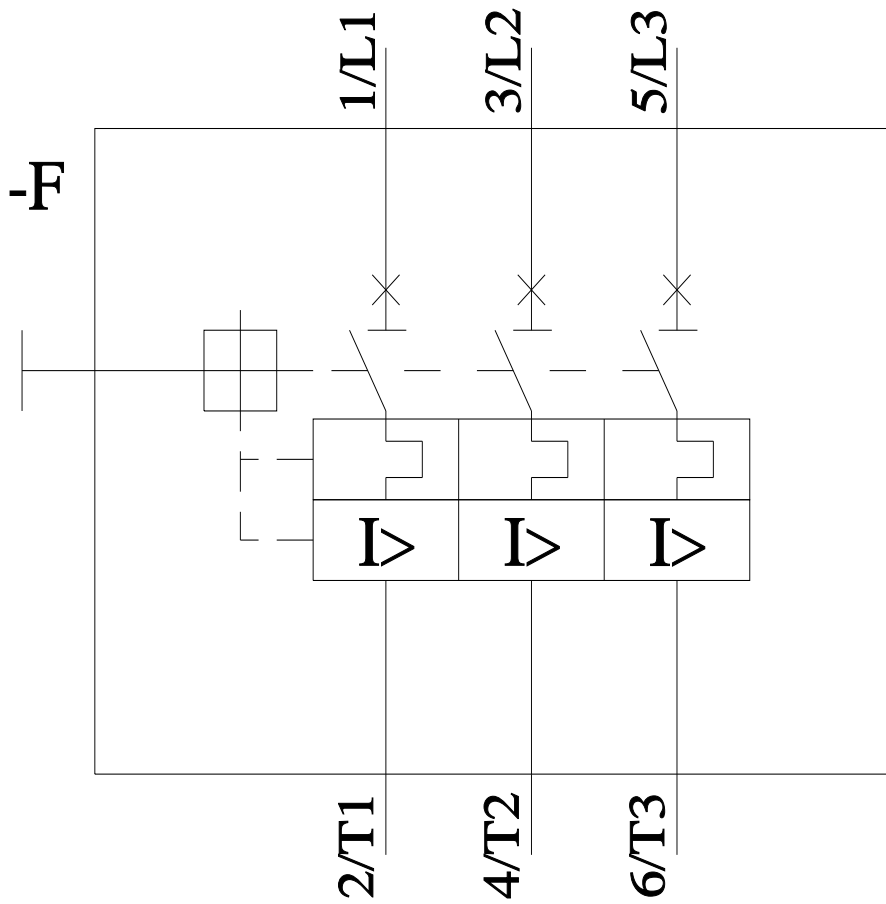
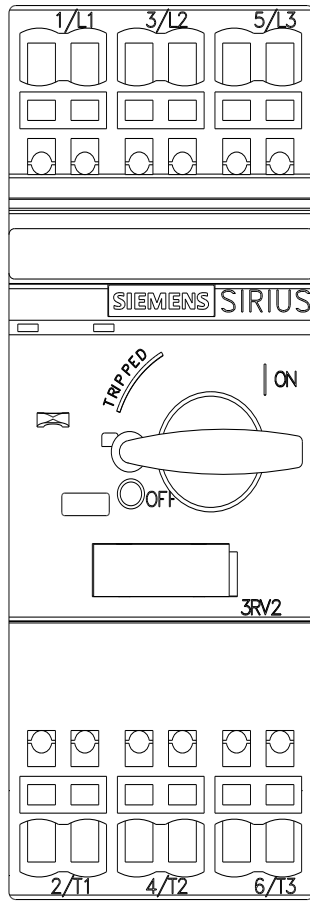
Characteristic: Tripping characteristics, I<sub>t</sub>, Let-through current

<https://support.industry.siemens.com/cs/ww/en/ps/3RV2021-4EA20-0BA0/char>

Further characteristics (e.g. electrical endurance, switching frequency)

<https://www.automation.siemens.com/bilddb/index.aspx?view=Search&mlfb=3RV2021-4EA20-0BA0&objecttype=14&gridview=view1>





last modified:

11/11/2025