

Siemens  
EcoTech



circuit breaker size S0 for transformer protection without phase failure protection A-release 10...16 A short-circuit release 286 A spring-loaded terminal standard switching capacity



product brand name	SIRIUS
product designation	Circuit breaker
design of the product	For transformer protection
product type designation	3RV2
<b>General technical data</b>	
size of the circuit-breaker	S0
size of contactor can be combined company-specific	S00, S0
product extension auxiliary switch	Yes
power loss [W] for rated value of the current	
• at AC in hot operating state	9.25 W
• at AC in hot operating state per pole	3.1 W
insulation voltage with degree of pollution 3 at AC rated value	690 V
surge voltage resistance rated value	6 kV
shock resistance according to IEC 60068-2-27	25g / 11 ms Sinus
mechanical service life (operating cycles)	
• of the main contacts typical	100 000
• of auxiliary contacts typical	100 000
electrical endurance (operating cycles) typical	100 000
reference code according to IEC 81346-2	Q
Substance Prohibitance (Date)	10/01/2009
SVHC substance name	Lead - 7439-92-1
Weight	0.416 kg
<b>Ambient conditions</b>	
installation altitude at height above sea level maximum	2 000 m
ambient temperature	
• during operation	-20 ... +60 °C
• during storage	-50 ... +80 °C
• during transport	-50 ... +80 °C
relative humidity during operation	10 ... 95 %
<b>Environmental footprint</b>	
Environmental Product Declaration(EPD)	Yes
global warming potential [CO2 eq] total	75.078 kg
global warming potential [CO2 eq] during manufacturing	2.68 kg
global warming potential [CO2 eq] during sales	0.143 kg
global warming potential [CO2 eq] during operation	72.7 kg
global warming potential [CO2 eq] after end of life	-0.445 kg

Siemens Eco Profile (SEP)	Siemens EcoTech
<b>Main circuit</b>	
number of poles for main current circuit	3
adjustable current response value current of the current-dependent overload release	10 ... 16 A
type of voltage for main current circuit	AC
operating voltage <ul style="list-style-type: none"> <li>rated value</li> <li>at AC-3 rated value maximum</li> <li>at AC-3e rated value maximum</li> </ul>	20 ... 690 V 690 V 690 V
operating frequency rated value	50 ... 60 Hz
operational current rated value	16 A
operational current <ul style="list-style-type: none"> <li>at AC-3 at 400 V rated value</li> <li>at AC-3e at 400 V rated value</li> </ul>	16 A 16 A
operating power <ul style="list-style-type: none"> <li>at AC-3 <ul style="list-style-type: none"> <li>at 230 V rated value</li> <li>at 400 V rated value</li> <li>at 500 V rated value</li> <li>at 690 V rated value</li> </ul> </li> <li>at AC-3e <ul style="list-style-type: none"> <li>at 230 V rated value</li> <li>at 400 V rated value</li> <li>at 500 V rated value</li> <li>at 690 V rated value</li> </ul> </li> </ul>	4 kW 7.5 kW 7.5 kW 11 kW 4 kW 7.5 kW 7.5 kW 11 kW
operating frequency <ul style="list-style-type: none"> <li>at AC-3 maximum</li> <li>at AC-3e maximum</li> </ul>	15 1/h 15 1/h
<b>Auxiliary circuit</b>	
type of voltage for auxiliary and control circuit	AC/DC
number of NC contacts for auxiliary contacts	0
number of NO contacts for auxiliary contacts	0
number of CO contacts for auxiliary contacts	0
<b>Protective and monitoring functions</b>	
product function <ul style="list-style-type: none"> <li>ground fault detection</li> <li>phase failure detection</li> </ul>	No No
trip class	CLASS 10
design of the overload release	thermal
maximum short-circuit current breaking capacity (Icu) <ul style="list-style-type: none"> <li>at AC at 240 V rated value</li> <li>at AC at 400 V rated value</li> <li>at AC at 500 V rated value</li> <li>at AC at 690 V rated value</li> </ul>	100 kA 55 kA 10 kA 4 kA
operating short-circuit current breaking capacity (Ics) at AC <ul style="list-style-type: none"> <li>at 240 V rated value</li> <li>at 400 V rated value</li> <li>at 500 V rated value</li> <li>at 690 V rated value</li> </ul>	100 kA 25 kA 5 kA 2 kA
response value current of instantaneous short-circuit trip unit	286 A
<b>Short-circuit protection</b>	
product function short circuit protection	Yes
design of the short-circuit trip	magnetic
design of the fuse link for IT network for short-circuit protection of the main circuit <ul style="list-style-type: none"> <li>at 400 V</li> <li>at 500 V</li> <li>at 690 V</li> </ul>	gG 63 A gG 50 A gG 40 A

**Installation/ mounting/ dimensions**

<b>mounting position</b>	any
<b>fastening method</b>	screw and snap-on mounting onto 35 mm DIN rail according to DIN EN 60715
<b>height</b>	119 mm
<b>width</b>	45 mm
<b>depth</b>	97 mm
<b>required spacing</b>	
<ul style="list-style-type: none"> <li>● with side-by-side mounting at the side</li> </ul>	0 mm
<ul style="list-style-type: none"> <li>● for grounded parts at 400 V <ul style="list-style-type: none"> <li>— downwards</li> <li>— upwards</li> <li>— at the side</li> </ul> </li> </ul>	30 mm 30 mm 9 mm
<ul style="list-style-type: none"> <li>● for live parts at 400 V <ul style="list-style-type: none"> <li>— downwards</li> <li>— upwards</li> <li>— at the side</li> </ul> </li> </ul>	30 mm 30 mm 9 mm
<ul style="list-style-type: none"> <li>● for grounded parts at 500 V <ul style="list-style-type: none"> <li>— downwards</li> <li>— upwards</li> <li>— at the side</li> </ul> </li> </ul>	30 mm 30 mm 9 mm
<ul style="list-style-type: none"> <li>● for live parts at 500 V <ul style="list-style-type: none"> <li>— downwards</li> <li>— upwards</li> <li>— at the side</li> </ul> </li> </ul>	30 mm 30 mm 9 mm
<ul style="list-style-type: none"> <li>● for grounded parts at 690 V <ul style="list-style-type: none"> <li>— downwards</li> <li>— upwards</li> <li>— backwards</li> <li>— at the side</li> <li>— forwards</li> </ul> </li> </ul>	50 mm 50 mm 0 mm 30 mm 0 mm
<ul style="list-style-type: none"> <li>● for live parts at 690 V <ul style="list-style-type: none"> <li>— downwards</li> <li>— upwards</li> <li>— backwards</li> <li>— at the side</li> <li>— forwards</li> </ul> </li> </ul>	50 mm 50 mm 0 mm 30 mm 0 mm

**Connections/ Terminals**

<b>type of electrical connection</b>	
<ul style="list-style-type: none"> <li>● for main current circuit</li> </ul>	spring-loaded terminals
<b>arrangement of electrical connectors for main current circuit</b>	Top and bottom
<b>type of connectable conductor cross-sections</b>	
<ul style="list-style-type: none"> <li>● for main contacts <ul style="list-style-type: none"> <li>— solid or stranded</li> <li>— finely stranded with core end processing</li> <li>— finely stranded without core end processing</li> </ul> </li> </ul>	2x (1 ... 10 mm <sup>2</sup> ) 2x (1 ... 6 mm <sup>2</sup> ) 2x (1 ... 6 mm <sup>2</sup> )
<b>design of screwdriver shaft</b>	Diameter 3 mm
<b>size of the screwdriver tip</b>	3,0 x 0,5 mm

**Safety related data**

product function suitable for safety function	Yes
<b>suitability for use</b>	
<ul style="list-style-type: none"> <li>● safety-related switching on</li> <li>● safety-related switching OFF</li> </ul>	No Yes
<b>service life maximum</b>	10 a
<b>test wear-related service life necessary</b>	Yes
<b>proportion of dangerous failures</b>	
<ul style="list-style-type: none"> <li>● with low demand rate according to SN 31920</li> <li>● with high demand rate according to SN 31920</li> </ul>	40 % 50 %
<b>B10 value with high demand rate according to SN 31920</b>	5 000

failure rate [FIT] with low demand rate according to SN 31920	50 FIT
ISO 13849	
device type according to ISO 13849-1	3
overdimensioning according to ISO 13849-2 necessary	Yes
IEC 61508	
safety device type according to IEC 61508-2	Type A
T1 value <ul style="list-style-type: none"> <li>for proof test interval or service life according to IEC 61508</li> </ul>	10 a
Electrical Safety	
protection class IP on the front according to IEC 60529	IP20
touch protection on the front according to IEC 60529	finger-safe, for vertical contact from the front
<b>Display</b>	
display version for switching status	Handle

**Approvals Certificates**

**General Product Approval**



**General Product Approval | Test Certificates | Maritime application**



**Maritime application | other**

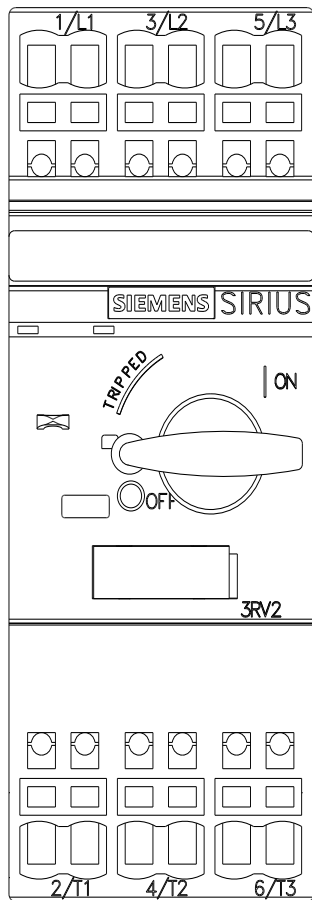


**other | Railway | Environment**



**Further information**

Information on the packaging  
<https://support.industry.siemens.com/cs/ww/en/view/109813875>  
Information for data generation and storage  
<https://support.industry.siemens.com/cs/ww/en/view/109995012>  
Information- and Downloadcenter (Catalogs, Brochures,...)  
<https://www.siemens.com/ic10>  
Industry Mall (Online ordering system)  
<https://mall.industry.siemens.com/mall/en/en/Catalog/product?mlfb=3RV2421-4AA20-0DA0>  
Cax online generator  
<https://support.automation.siemens.com/WW/CAXorder/default.aspx?lang=en&mlfb=3RV2421-4AA20-0DA0>  
Service&Support (Manuals, Certificates, Characteristics, FAQs,...)  
<https://support.industry.siemens.com/cs/ww/en/ps/3RV2421-4AA20-0DA0>  
Image database (product images, 2D dimension drawings, 3D models, device circuit diagrams, EPLAN macros, ...)  
[https://www.automation.siemens.com/bilddb/cax\\_de.aspx?mlfb=3RV2421-4AA20-0DA0&lang=en](https://www.automation.siemens.com/bilddb/cax_de.aspx?mlfb=3RV2421-4AA20-0DA0&lang=en)  
Characteristic: Tripping characteristics, I<sup>t</sup>, Let-through current  
<https://support.industry.siemens.com/cs/ww/en/ps/3RV2421-4AA20-0DA0/char>  
Further characteristics (e.g. electrical endurance, switching frequency)  
<https://www.automation.siemens.com/bilddb/index.aspx?view=Search&mlfb=3RV2421-4AA20-0DA0&objecttype=14&gridview=view1>





last modified:

11/11/2025 