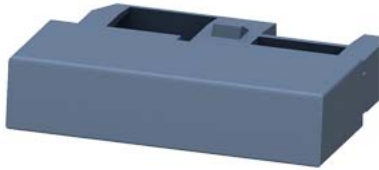


Cover cap for transverse auxiliary switch for circuit breaker 3RV2



product brand name	SIRIUS
product category	Auxiliary switch
product designation	Cover
design of the product	cover caps for transverse auxiliary switch
product type designation	3RV29

General technical data

certificate of suitability	CE / UL / CSA / CCC
size of the circuit-breaker	S00, S0, S2, S3
display version LED	No
degree of pollution	3
Substance Prohibitation (Date)	10/01/2009
Weight	0.006 kg

Ambient conditions

ambient temperature	
• during operation	-20 ... +60 °C
• during storage	-50 ... +80 °C

Environmental footprint

Environmental Product Declaration (EPD)	Yes
global warming potential [CO2 eq] total	4.44 kg
global warming potential [CO2 eq] during manufacturing	0.238 kg
global warming potential [CO2 eq] during operation	4.2 kg
global warming potential [CO2 eq] after end of life	0.0053 kg

Installation/ mounting/ dimensions

fastening method	plug-in fixing
height	45 mm
width	10 mm
depth	35 mm

Approvals Certificates

General Product Approval	Test Certificates	Maritime application
--------------------------	-------------------	----------------------



[Type Test Certificates/Test Report](#)

[Special Test Certificate](#)



Maritime application	other
----------------------	-------



[Miscellaneous](#)

other Railway Environment



[Confirmation](#)



[Special Test Certificate](#)



[Environmental Confirmations](#)

Further information

Information on the packaging

<https://support.industry.siemens.com/cs/ww/en/view/109813875>

Information for data generation and storage

<https://support.industry.siemens.com/cs/ww/en/view/109995012>

Information- and Downloadcenter (Catalogs, Brochures,...)

<https://www.siemens.com/ic10>

Industry Mall (Online ordering system)

<https://mall.industry.siemens.com/mall/en/en/Catalog/product?mlfb=3RV2901-0H>

Cax online generator

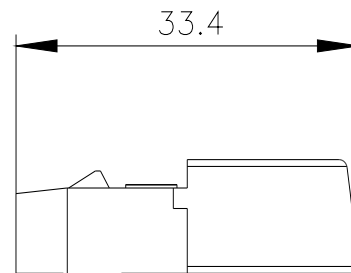
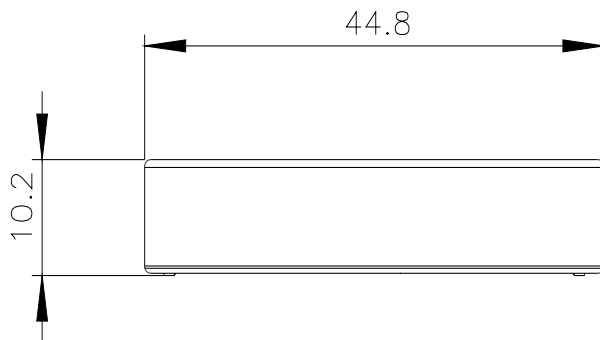
<https://support.automation.siemens.com/WW/CAXorder/default.aspx?lang=en&mlfb=3RV2901-0H>

Service&Support (Manuals, Certificates, Characteristics, FAQs,...)

<https://support.industry.siemens.com/cs/ww/en/ps/3RV2901-0H>

Image database (product images, 2D dimension drawings, 3D models, device circuit diagrams, EPLAN macros, ...)

https://www.automation.siemens.com/bilddb/cax_de.aspx?mlfb=3RV2901-0H&lang=en



last modified:

7/22/2025