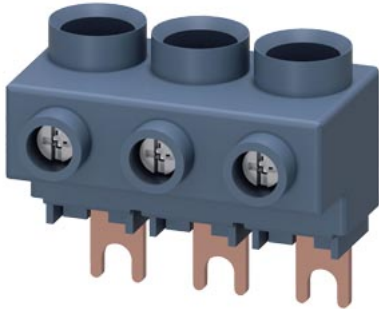


3-phase supply terminal for 3-phase busbar connection from top Size S00/S0



<b>product brand name</b>	SIRIUS
<b>product category</b>	Plugs, adapters and terminals
<b>product designation</b>	3-phase supply terminal
<b>design of the product</b>	from above, size S0/S00
<b>product type designation</b>	3RV29
<b>General technical data</b>	
<b>certificate of suitability</b>	CE / UL / CSA / CCC
<b>size of the circuit-breaker</b>	S00, S0
insulation voltage with degree of pollution 3 at AC rated value	690 V
protection class IP on the front according to IEC 60529	IP20
<b>Substance Prohibitation (Date)</b>	10/01/2009
<b>Weight</b>	0.041 kg
<b>ampacity maximum</b>	63 A
<b>Ambient conditions</b>	
<b>ambient temperature</b>	
• during operation	-20 ... +60 °C
• during storage	-50 ... +80 °C
<b>Environmental footprint</b>	
Environmental Product Declaration (EPD)	Yes
global warming potential [CO2 eq] total	139 kg
global warming potential [CO2 eq] during manufacturing	0.161 kg
global warming potential [CO2 eq] during operation	139 kg
global warming potential [CO2 eq] after end of life	-0.056 kg
<b>Electrical Safety</b>	
<b>protection class IP on the front according to IEC 60529</b>	IP20
<b>touch protection on the front according to IEC 60529</b>	finger-safe, for vertical contact from the front
<b>Installation/ mounting/ dimensions</b>	
<b>height</b>	39 mm
<b>width</b>	45 mm
<b>depth</b>	27 mm
<b>Connections/ Terminals</b>	
type of electrical connection for main current circuit	screw-type terminals
<b>type of connectable conductor cross-sections</b>	
• for main contacts	
— solid	1x (2.5 ... 16 mm <sup>2</sup> )
— stranded	1x (2.5 ... 25 mm <sup>2</sup> )
— finely stranded with core end processing	1x (2.5 ... 16 mm <sup>2</sup> )
• for AWG cables for main contacts	1x (10 ... 4)
<b>connectable conductor cross-section for main contacts</b>	
• solid or stranded	2.5 ... 16 mm <sup>2</sup>

- stranded 2.5 ... 25 mm<sup>2</sup>
- finely stranded with core end processing 2.5 ... 16 mm<sup>2</sup>

AWG number as coded connectable conductor cross section for main contacts 10 ... 4

#### Approvals Certificates

##### General Product Approval



##### Test Certificates

[Special Test Certificate](#)

[Type Test Certificates/Test Report](#)

#### Maritime application



#### Maritime application

##### other

##### Railway



[Miscellaneous](#)



[Confirmation](#)



[Special Test Certificate](#)

#### Environment



[Environmental Confirmations](#)

#### Further information

##### Information on the packaging

<https://support.industry.siemens.com/cs/ww/en/view/109813875>

##### Information for data generation and storage

<https://support.industry.siemens.com/cs/ww/en/view/109995012>

##### Information- and Downloadcenter (Catalogs, Brochures,...)

<https://www.siemens.com/ic10>

##### Industry Mall (Online ordering system)

<https://mall.industry.siemens.com/mall/en/en/Catalog/product?mlfb=3RV2925-5AB>

##### Cax online generator

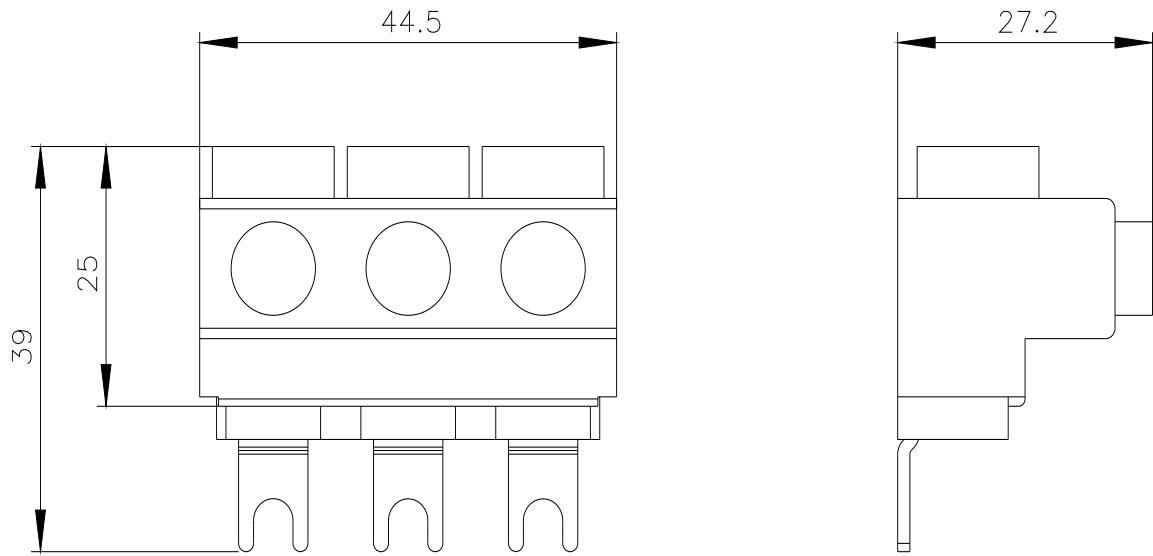
<https://support.automation.siemens.com/WW/CAXorder/default.aspx?lang=en&mlfb=3RV2925-5AB>

##### Service&Support (Manuals, Certificates, Characteristics, FAQs,...)

<https://support.industry.siemens.com/cs/ww/en/ps/3RV2925-5AB>

##### Image database (product images, 2D dimension drawings, 3D models, device circuit diagrams, EPLAN macros, ...)

[https://www.automation.siemens.com/bilddb/cax\\_de.aspx?mlfb=3RV2925-5AB&lang=en](https://www.automation.siemens.com/bilddb/cax_de.aspx?mlfb=3RV2925-5AB&lang=en)



---

last modified:

4/2/2025 