



Tolerance compensation for door-coupling rotary operating mechanism Size S00...S3

product brand name	SIRIUS
product category	Operating mechanisms
product designation	tolerance compensation
product type designation	3RV29
suitability for use	Circuit breaker S00, S0, S2, S3

**General technical data**

certificate of suitability	CE / UL / CSA
size of the circuit-breaker	S00, S0, S2, S3
product feature can be locked into OFF position	Yes
Weight	0.054 kg

**Actuator**

product feature interlock	Yes
color of the actuating element	black

**Installation/ mounting/ dimensions**

mounting position	any
fastening method	screw fixing

**Approvals Certificates**

General Product Approval	Test Certificates
--------------------------	-------------------



[Type Test Certificates/Test Report](#)

[Special Test Certificate](#)

Maritime application	other
----------------------	-------



[Miscellaneous](#)



[Confirmation](#)

other	Environment
-------	-------------



[Environmental Confirmations](#)

**Further information**

**Information on the packaging**

<https://support.industry.siemens.com/cs/ww/en/view/109813875>

Information for data generation and storage

<https://support.industry.siemens.com/cs/ww/en/view/109995012>

Information- and Downloadcenter (Catalogs, Brochures,...)

<https://www.siemens.com/ic10>

Industry Mall (Online ordering system)

<https://mall.industry.siemens.com/mall/en/en/Catalog/product?mlfb=3RV2926-0Q>

Cax online generator

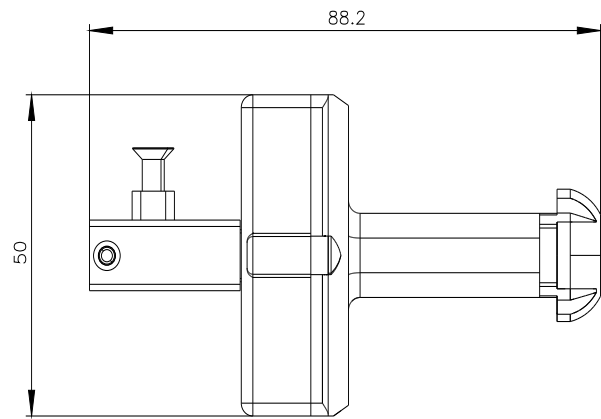
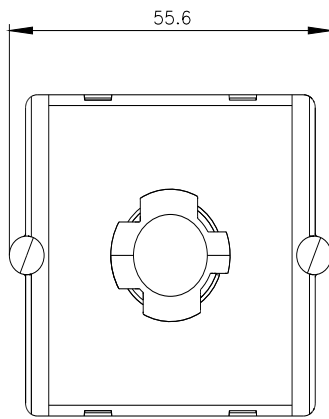
<https://support.automation.siemens.com/WW/CAXorder/default.aspx?lang=en&mlfb=3RV2926-0Q>

Service&Support (Manuals, Certificates, Characteristics, FAQs,...)

<https://support.industry.siemens.com/cs/ww/en/ps/3RV2926-0Q>

Image database (product images, 2D dimension drawings, 3D models, device circuit diagrams, EPLAN macros, ...)

[https://www.automation.siemens.com/bilddb/cax\\_de.aspx?mlfb=3RV2926-0Q&lang=en](https://www.automation.siemens.com/bilddb/cax_de.aspx?mlfb=3RV2926-0Q&lang=en)



---

last modified:

4/2/2025 