



Tolerance compensation for door-coupling rotary operating mechanism for harsh conditions Size S00...S3

product brand name	SIRIUS
product category	Operating mechanisms
product designation	tolerance compensation
product type designation	3RV29
suitability for use	Circuit breaker S00, S0, S2, S3

General technical data	
certificate of suitability	CE / UL / CSA
size of the circuit-breaker	S00, S0, S2, S3
product feature can be locked into OFF position	Yes
Weight	0.056 kg

Actuator	
product feature interlock	Yes
color of the actuating element	black

Installation/ mounting/ dimensions	
mounting position	any
fastening method	screw fixing

Approvals Certificates	
General Product Approval	Test Certificates



[Special Test Certificate](#)

[Type Test Certificates/Test Report](#)

Maritime application	other
----------------------	-------



[Miscellaneous](#)



[Confirmation](#)

other	Environment
-------	-------------



[Environmental Confirmations](#)

Further information

Information on the packaging

<https://support.industry.siemens.com/cs/ww/en/view/109813875>

Information for data generation and storage

<https://support.industry.siemens.com/cs/ww/en/view/109995012>

Information- and Downloadcenter (Catalogs, Brochures,...)

<https://www.siemens.com/ic10>

Industry Mall (Online ordering system)

<https://mall.industry.siemens.com/mall/en/en/Catalog/product?mlfb=3RV2926-2Q>

Cax online generator

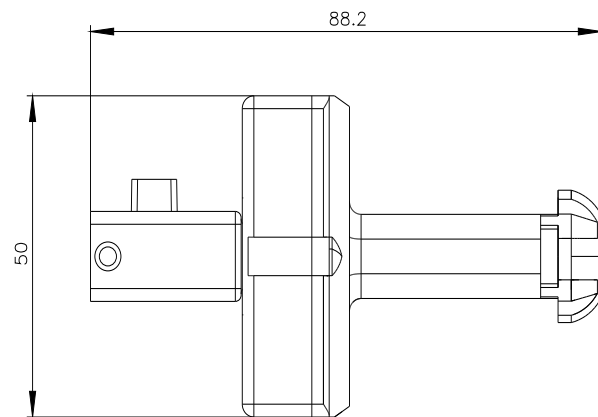
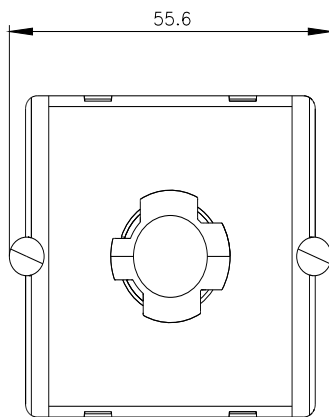
<https://support.automation.siemens.com/WW/CAXorder/default.aspx?lang=en&mlfb=3RV2926-2Q>

Service&Support (Manuals, Certificates, Characteristics, FAQs,...)

<https://support.industry.siemens.com/cs/ww/en/ps/3RV2926-2Q>

Image database (product images, 2D dimension drawings, 3D models, device circuit diagrams, EPLAN macros, ...)

https://www.automation.siemens.com/bilddb/cax_de.aspx?mlfb=3RV2926-2Q&lang=en



last modified:

4/2/2025 