



Disconnecter module for circuit breaker Size S2

product brand name	SIRIUS
product category	Isolator modules
product designation	disconnecter module
design of the product	visible isolating distance, can be locked in disengaged position
product type designation	3RV29
suitability for use	motor circuit breaker

General technical data	
certificate of suitability	CE / UL / CSA / CCC
size of the circuit-breaker	S2
Substance Prohibition (Date)	10/15/2014
Weight	0.343 kg

Ambient conditions	
ambient temperature	
<ul style="list-style-type: none"> during operation 	-20 ... +70 °C
<ul style="list-style-type: none"> during storage 	-50 ... +80 °C

Installation/ mounting/ dimensions	
height	57 mm
width	55 mm
depth	149 mm

Approvals Certificates	
General Product Approval	Test Certificates



[Type Test Certificates/Test Report](#)

[Special Test Certificate](#)

Maritime application



other	Railway	Environment
-------	---------	-------------

[Miscellaneous](#)



[Confirmation](#)



[Special Test Certificate](#)

[Environmental Confirmations](#)

Further information

Information on the packaging

<https://support.industry.siemens.com/cs/ww/en/view/109813875>

Information for data generation and storage

<https://support.industry.siemens.com/cs/ww/en/view/109995012>

Information- and Downloadcenter (Catalogs, Brochures,...)

<https://www.siemens.com/ic10>

Industry Mall (Online ordering system)

<https://mall.industry.siemens.com/mall/en/en/Catalog/product?mlfb=3RV2938-1A>

Cax online generator

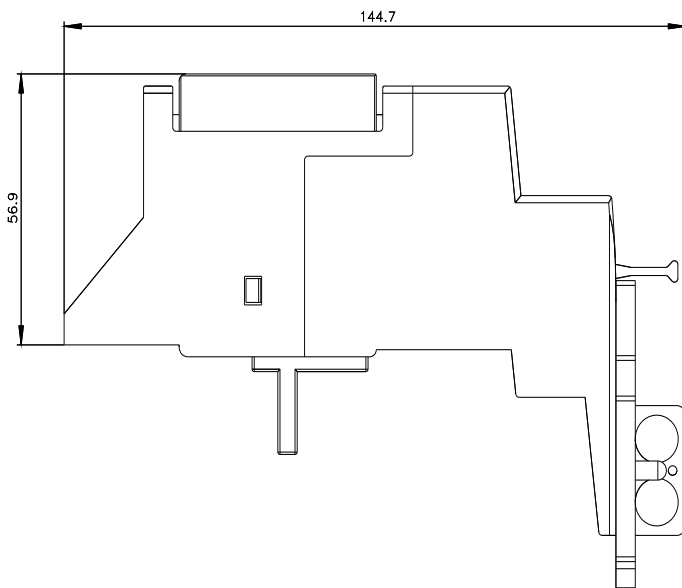
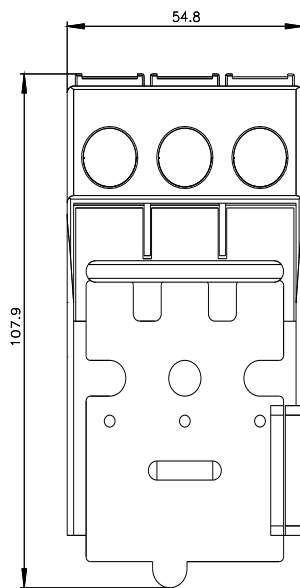
<https://support.automation.siemens.com/WW/CAXorder/default.aspx?lang=en&mlfb=3RV2938-1A>

Service&Support (Manuals, Certificates, Characteristics, FAQs,...)

<https://support.industry.siemens.com/cs/ww/en/ps/3RV2938-1A>

Image database (product images, 2D dimension drawings, 3D models, device circuit diagrams, EPLAN macros, ...)

https://www.automation.siemens.com/bilddb/cax_de.aspx?mlfb=3RV2938-1A&lang=en



last modified:

4/2/2025 