

Siemens
EcoTech



SIRIUS soft starter 200-600 V 47 A, 110-250 V AC Screw terminals Thermistor input



product brand name	SIRIUS
product category	Hybrid switching devices
product designation	Soft starter
product type designation	3RW52
manufacturer's article number	
<ul style="list-style-type: none"> • of standard HMI module usable • of high feature HMI module usable • of communication module PROFINET standard usable • of communication module PROFIBUS usable • of communication module Modbus TCP usable • of communication module Modbus RTU usable • of communication module Ethernet/IP • of circuit breaker usable at 400 V • of circuit breaker usable at 500 V • of circuit breaker usable at 400 V at inside-delta circuit • of circuit breaker usable at 500 V at inside-delta circuit • of the gG fuse usable up to 690 V • of the gG fuse usable at inside-delta circuit up to 500 V • of full range R fuse link for semiconductor protection usable up to 690 V • of back-up R fuse link for semiconductor protection usable up to 690 V 	<ul style="list-style-type: none"> 3RW5980-0HS00 3RW5980-0HF00 3RW5980-0CS00 3RW5980-0CP00 3RW5980-0CT00 3RW5980-0CR00 3RW5980-0CE00 3RV2032-4JA10: Type of coordination 1, Iq = 65 kA, CLASS 10 3RV2032-4JA10: Type of coordination 1, Iq = 10 kA, CLASS 10 3RV2032-4RA10: Type of coordination 1, Iq = 65 kA, CLASS 10 3RV2032-4RA10: Type of coordination 1, Iq = 10 kA, CLASS 10 3NA3824-6; Type of coordination 1, Iq = 65 kA 3NA3824-6; Type of coordination 1, Iq = 65 kA 3NE1021-2; Type of coordination 2, Iq = 65 kA 3NE8024-1; Type of coordination 2, Iq = 65 kA
General technical data	
starting voltage [%]	30 ... 100 %
stopping voltage [%]	50 %; non-adjustable
start-up ramp time of soft starter	0 ... 20 s
current limiting value [%] adjustable	130 ... 700 %
certificate of suitability	
<ul style="list-style-type: none"> • CE marking • UL approval • CSA approval 	<ul style="list-style-type: none"> Yes Yes Yes
product component	
<ul style="list-style-type: none"> • HMI-High Feature • is supported HMI-Standard • is supported HMI-High Feature 	<ul style="list-style-type: none"> No Yes Yes
product feature integrated bypass contact system	Yes
number of controlled phases	3
buffering time in the event of power failure	

<ul style="list-style-type: none"> • for main current circuit • for control circuit 	100 ms 100 ms
insulation voltage rated value	600 V
degree of pollution	3, acc. to IEC 60947-4-2
impulse voltage rated value	6 kV
blocking voltage of the thyristor maximum	1 800 V
service factor	1
surge voltage resistance rated value	6 kV
maximum permissible voltage for protective separation	
<ul style="list-style-type: none"> • between main and auxiliary circuit 	600 V
shock resistance	15 g / 11 ms, from 12 g / 11 ms with potential contact lifting
vibration resistance	15 mm to 6 Hz; 2g to 500 Hz
utilization category according to IEC 60947-4-2	AC 53a
reference code according to IEC 81346-2	Q
Substance Prohibitance (Date)	02/15/2018
SVHC substance name	Lead - 7439-92-1 Lead monoxide (lead oxide) - 1317-36-8 2,2',6,6'-tetrabromo-4,4'-isopropylidenediphenol - 79-94-7 6,6'-di-tert-butyl-2,2'-methylenedi-p-cresol - 119-47-1 2-methyl-1-(4-methylthiophenyl)-2-morpholinopropan-1-one - 71868-10-5 Dibutylbis(pentane-2,4-dionato-O,O')tin - 22673-19-4
Weight	5.2 kg
product function	
<ul style="list-style-type: none"> • ramp-up (soft starting) • ramp-down (soft stop) • Soft Torque • adjustable current limitation • pump ramp down • intrinsic device protection • motor overload protection 	Yes Yes Yes Yes Yes Yes Yes; Full motor protection (thermistor motor protection and electronic motor overload protection)
<ul style="list-style-type: none"> • evaluation of thermistor motor protection • inside-delta circuit • auto-RESET • manual RESET • remote reset • communication function • operating measured value display • error logbook • via software parameterizable • via software configurable • PROFenergy • firmware update • removable terminal for control circuit • torque control • analog output 	Yes; Type A PTC or Klixon / Thermoclick Yes Yes Yes Yes; By turning off the control supply voltage Yes Yes; Only in conjunction with special accessories Yes; Only in conjunction with special accessories No Yes Yes; in connection with the PROFINET Standard communication module Yes Yes No No
Power Electronics	
operational current	
<ul style="list-style-type: none"> • at 40 °C rated value • at 50 °C rated value • at 60 °C rated value 	47 A 41.6 A 36.2 A
operational current at inside-delta circuit	
<ul style="list-style-type: none"> • at 40 °C rated value • at 50 °C rated value • at 60 °C rated value 	81.4 A 72 A 62.7 A
operating voltage	
<ul style="list-style-type: none"> • rated value • at inside-delta circuit rated value 	200 ... 600 V 200 ... 600 V
relative negative tolerance of the operating voltage	-15 %
relative positive tolerance of the operating voltage	10 %
relative negative tolerance of the operating voltage at inside-delta circuit	-15 %
relative positive tolerance of the operating voltage at	10 %

inside-delta circuit	
operating power for 3-phase motors	
• at 230 V at 40 °C rated value	11 kW
• at 230 V at inside-delta circuit at 40 °C rated value	22 kW
• at 400 V at 40 °C rated value	22 kW
• at 400 V at inside-delta circuit at 40 °C rated value	45 kW
• at 500 V at 40 °C rated value	30 kW
• at 500 V at inside-delta circuit at 40 °C rated value	45 kW
Operating frequency 1 rated value	50 Hz
Operating frequency 2 rated value	60 Hz
relative negative tolerance of the operating frequency	-10 %
relative positive tolerance of the operating frequency	10 %
adjustable motor current	
• at rotary coding switch on switch position 1	20 A
• at rotary coding switch on switch position 2	21.8 A
• at rotary coding switch on switch position 3	23.6 A
• at rotary coding switch on switch position 4	25.4 A
• at rotary coding switch on switch position 5	27.2 A
• at rotary coding switch on switch position 6	29 A
• at rotary coding switch on switch position 7	30.8 A
• at rotary coding switch on switch position 8	32.6 A
• at rotary coding switch on switch position 9	34.4 A
• at rotary coding switch on switch position 10	36.2 A
• at rotary coding switch on switch position 11	38 A
• at rotary coding switch on switch position 12	39.8 A
• at rotary coding switch on switch position 13	41.6 A
• at rotary coding switch on switch position 14	43.4 A
• at rotary coding switch on switch position 15	45.2 A
• at rotary coding switch on switch position 16	47 A
• minimum	20 A
adjustable motor current	
• for inside-delta circuit at rotary coding switch on switch position 1	34.6 A
• for inside-delta circuit at rotary coding switch on switch position 2	37.8 A
• for inside-delta circuit at rotary coding switch on switch position 3	40.9 A
• for inside-delta circuit at rotary coding switch on switch position 4	44 A
• for inside-delta circuit at rotary coding switch on switch position 5	47.1 A
• for inside-delta circuit at rotary coding switch on switch position 6	50.2 A
• for inside-delta circuit at rotary coding switch on switch position 7	53.3 A
• for inside-delta circuit at rotary coding switch on switch position 8	56.5 A
• for inside-delta circuit at rotary coding switch on switch position 9	59.6 A
• for inside-delta circuit at rotary coding switch on switch position 10	62.7 A
• for inside-delta circuit at rotary coding switch on switch position 11	65.8 A
• for inside-delta circuit at rotary coding switch on switch position 12	68.9 A
• for inside-delta circuit at rotary coding switch on switch position 13	72.1 A
• for inside-delta circuit at rotary coding switch on switch position 14	75.2 A
• for inside-delta circuit at rotary coding switch on switch position 15	78.3 A
• for inside-delta circuit at rotary coding switch on switch position 16	81.4 A
• at inside-delta circuit minimum	34.6 A
minimum load [%]	15 %; Relative to smallest settable le
power loss [W] for rated value of the current at AC	

<ul style="list-style-type: none"> • at 40 °C after startup • at 50 °C after startup • at 60 °C after startup 	26 W 24 W 23 W
power loss [W] at AC at current limitation 350 %	
<ul style="list-style-type: none"> • at 40 °C during startup • at 50 °C during startup • at 60 °C during startup 	606 W 522 W 438 W

Control circuit/ Control	
type of voltage of the control supply voltage	AC
control supply voltage at AC	
<ul style="list-style-type: none"> • at 50 Hz • at 60 Hz 	110 ... 250 V 110 ... 250 V
relative negative tolerance of the control supply voltage at AC at 50 Hz	-15 %
relative positive tolerance of the control supply voltage at AC at 50 Hz	10 %
relative negative tolerance of the control supply voltage at AC at 60 Hz	-15 %
relative positive tolerance of the control supply voltage at AC at 60 Hz	10 %
control supply voltage frequency	50 ... 60 Hz
relative negative tolerance of the control supply voltage frequency	-10 %
relative positive tolerance of the control supply voltage frequency	10 %
control supply current in standby mode rated value	30 mA
holding current in bypass operation rated value	75 mA
inrush current by closing the bypass contacts maximum	2.5 A
inrush current peak at application of control supply voltage maximum	12.2 A
duration of inrush current peak at application of control supply voltage	2.2 ms
design of the overvoltage protection	Varistor
design of short-circuit protection for control circuit	4 A gG fuse (I _{cu} =1 kA), 6 A quick-acting fuse (I _{cu} =1 kA), C1 miniature circuit breaker (I _{cu} = 600 A), C6 miniature circuit breaker (I _{cu} = 300 A); Is not part of scope of supply

Inputs/ Outputs	
number of digital inputs	1
number of digital outputs	3
<ul style="list-style-type: none"> • not parameterizable 	2
digital output version	2 normally-open contacts (NO) / 1 changeover contact (CO)
number of analog outputs	0
switching capacity current of the relay outputs	
<ul style="list-style-type: none"> • at AC-15 at 250 V rated value • at DC-13 at 24 V rated value 	3 A 1 A

Installation/ mounting/ dimensions	
mounting position	+/- 10° rotation possible and can be tilted forward or backward on vertical mounting surface
fastening method	screw fixing
height	306 mm
width	185 mm
depth	203 mm
required spacing with side-by-side mounting	
<ul style="list-style-type: none"> • forwards • backwards • upwards • downwards • at the side 	10 mm 0 mm 100 mm 75 mm 5 mm
weight without packaging	5.2 kg

Connections/ Terminals	
type of electrical connection	
<ul style="list-style-type: none"> • for main current circuit • for control circuit 	box terminal screw-type terminals
width of connection bar maximum	25 mm

wire length for thermistor connection	
<ul style="list-style-type: none"> with conductor cross-section = 0.5 mm² maximum with conductor cross-section = 1.5 mm² maximum with conductor cross-section = 2.5 mm² maximum 	<p>50 m</p> <p>150 m</p> <p>250 m</p>
type of connectable conductor cross-sections for main contacts for box terminal	
<ul style="list-style-type: none"> using the front clamping point solid using the front clamping point finely stranded with core end processing using the front clamping point stranded using the back clamping point solid r box terminal using the back clamping point using both clamping points solid using both clamping points finely stranded with core end processing using both clamping points stranded using the back clamping point finely stranded with core end processing using the back clamping point stranded 	<p>1x (2.5 ... 16 mm²)</p> <p>1x (2.5 ... 50 mm²)</p> <p>1x (10 ... 70 mm²)</p> <p>1x (2.5 ... 16 mm²)</p> <p>1x (10 ... 2/0)</p> <p>2x (2.5 ... 16 mm²)</p> <p>2x (2.5 ... 35 mm²)</p> <p>2x (6 ... 16 mm²), 2x (10 ... 50 mm²)</p> <p>1x (2.5 ... 50 mm²)</p> <p>1x (10 ... 70 mm²)</p>
type of connectable conductor cross-sections	
<ul style="list-style-type: none"> for control circuit solid for control circuit finely stranded with core end processing for AWG cables for control circuit solid 	<p>1x (0.5 ... 4.0 mm²), 2x (0.5 ... 2.5 mm²)</p> <p>1x (0.5 ... 2.5 mm²), 2x (0.5 ... 1.5 mm²)</p> <p>1x (20 ... 12), 2x (20 ... 14)</p>
wire length	
<ul style="list-style-type: none"> between soft starter and motor maximum at the digital inputs at AC maximum 	<p>800 m</p> <p>100 m</p>
tightening torque	
<ul style="list-style-type: none"> for main contacts with screw-type terminals for auxiliary and control contacts with screw-type terminals 	<p>4.5 ... 6 N·m</p> <p>0.8 ... 1.2 N·m</p>
tightening torque [lbf·in]	
<ul style="list-style-type: none"> for main contacts with screw-type terminals for auxiliary and control contacts with screw-type terminals 	<p>40 ... 53 lbf·in</p> <p>7 ... 10.3 lbf·in</p>
Ambient conditions	
installation altitude at height above sea level maximum	5 000 m; Derating as of 1000 m, see catalog
ambient temperature	
<ul style="list-style-type: none"> during operation during storage and transport 	<p>-25 ... +60 °C; Please observe derating at temperatures of 40 °C or above</p> <p>-40 ... +80 °C</p>
environmental category	
<ul style="list-style-type: none"> during operation according to IEC 60721 during storage according to IEC 60721 during transport according to IEC 60721 	<p>3K6 (no ice formation, only occasional condensation), 3C3 (no salt mist), 3S2 (sand must not get into the devices), 3M6</p> <p>1K6 (only occasional condensation), 1C2 (no salt mist), 1S2 (sand must not get inside the devices), 1M4</p> <p>2K2, 2C1, 2S1, 2M2 (max. fall height 0.3 m)</p>
Environmental footprint	
global warming potential [CO2 eq] total	296 kg
global warming potential [CO2 eq] during manufacturing	67.7 kg
global warming potential [CO2 eq] during sales	1.84 kg
global warming potential [CO2 eq] during operation	242 kg
global warming potential [CO2 eq] after end of life	-15.7 kg
Siemens Eco Profile (SEP)	Siemens EcoTech
Electromagnetic compatibility	
EMC emitted interference	acc. to IEC 60947-4-2: Class A
Communication/ Protocol	
communication module is supported	
<ul style="list-style-type: none"> PROFINET standard EtherNet/IP Modbus RTU Modbus TCP PROFIBUS 	<p>Yes</p> <p>Yes</p> <p>Yes</p> <p>Yes</p> <p>Yes</p>
UL/CSA ratings	
manufacturer's article number	

<ul style="list-style-type: none"> ● of circuit breaker usable for Standard Faults <ul style="list-style-type: none"> — at 460/480 V according to UL — 60/480 V according to UL — at 460/480 V at inside-delta circuit according to UL — 60/480 V at inside-delta circuit according to UL — at 575/600 V according to UL — at 575/600 V at inside-delta circuit according to UL ● of the fuse <ul style="list-style-type: none"> — usable for Standard Faults up to 575/600 V according to UL — usable for High Faults up to 575/600 V according to UL — usable for Standard Faults at inside-delta circuit up to 575/600 V according to UL — usable for High Faults at inside-delta circuit up to 575/600 V according to UL 	<p>Siemens type: 3RV2742, max. 70 A or 3VA51, max. 90 A; Iq = 5 kA</p> <p>Siemens type: 3VA51, max. 60 A; Iq max = 65 kA</p> <p>Siemens type: 3VA51, max. 90 A; Iq = 5 kA</p> <p>Siemens type: 3VA51, max. 60 A; Iq max = 65 kA</p> <p>Siemens type: 3RV2742, max. 70 A or 3VA51, max. 90 A; Iq = 5 kA</p> <p>Siemens type: 3VA51, max. 90 A; Iq = 5 kA</p> <p>Type: Class RK5 / K5, max. 175 A; Iq = 5 kA</p> <p>Type: Class J / L, max. 175 A; Iq = 100 kA</p> <p>Type: Class RK5 / K5, max. 175 A; Iq = 5 kA</p> <p>Type: Class J / L, max. 175 A; Iq = 100 kA</p>
operating power [hp] for 3-phase motors <ul style="list-style-type: none"> ● at 200/208 V at 50 °C rated value ● at 220/230 V at 50 °C rated value ● at 460/480 V at 50 °C rated value ● at 575/600 V at 50 °C rated value ● at 200/208 V at inside-delta circuit at 50 °C rated value ● at 220/230 V at inside-delta circuit at 50 °C rated value ● at 460/480 V at inside-delta circuit at 50 °C rated value ● at 575/600 V at inside-delta circuit at 50 °C rated value 	<p>10 hp</p> <p>10 hp</p> <p>30 hp</p> <p>40 hp</p> <p>20 hp</p> <p>25 hp</p> <p>50 hp</p> <p>60 hp</p>
contact rating of auxiliary contacts according to UL	R300-B300

Electrical Safety	
protection class IP on the front according to IEC 60529	IP00; IP20 with cover
touch protection on the front according to IEC 60529	finger-safe, for vertical contact from the front with cover

Approvals Certificates	
General Product Approval	EMV



EMV	Test Certificates	Maritime application
------------	--------------------------	-----------------------------

[KC](#)

[Type Test Certificates/Test Report](#)



other	Environment
--------------	--------------------



[Confirmation](#)



[Environmental Confirmations](#)

Further information

- Information on the packaging
<https://support.industry.siemens.com/cs/ww/en/view/109813875>
- Information for data generation and storage
<https://support.industry.siemens.com/cs/ww/en/view/109995012>
- Information- and Downloadcenter (Catalogs, Brochures,...)
<https://www.siemens.com/ic10>
- Industry Mall (Online ordering system)
<https://mall.industry.siemens.com/mall/en/en/Catalog/product?mlfb=3RW5224-1TC15>
- Cax online generator
<https://support.automation.siemens.com/WW/CAXorder/default.aspx?lang=en&mlfb=3RW5224-1TC15>
- Service&Support (Manuals, Certificates, Characteristics, FAQs,...)
<https://support.industry.siemens.com/cs/ww/en/ps/3RW5224-1TC15>

Image database (product images, 2D dimension drawings, 3D models, device circuit diagrams, EPLAN macros, ...)

https://www.automation.siemens.com/bilddb/cax_de.aspx?mlfb=3RW5224-1TC15&lang=en

Characteristic: Tripping characteristics, I²t, Let-through current

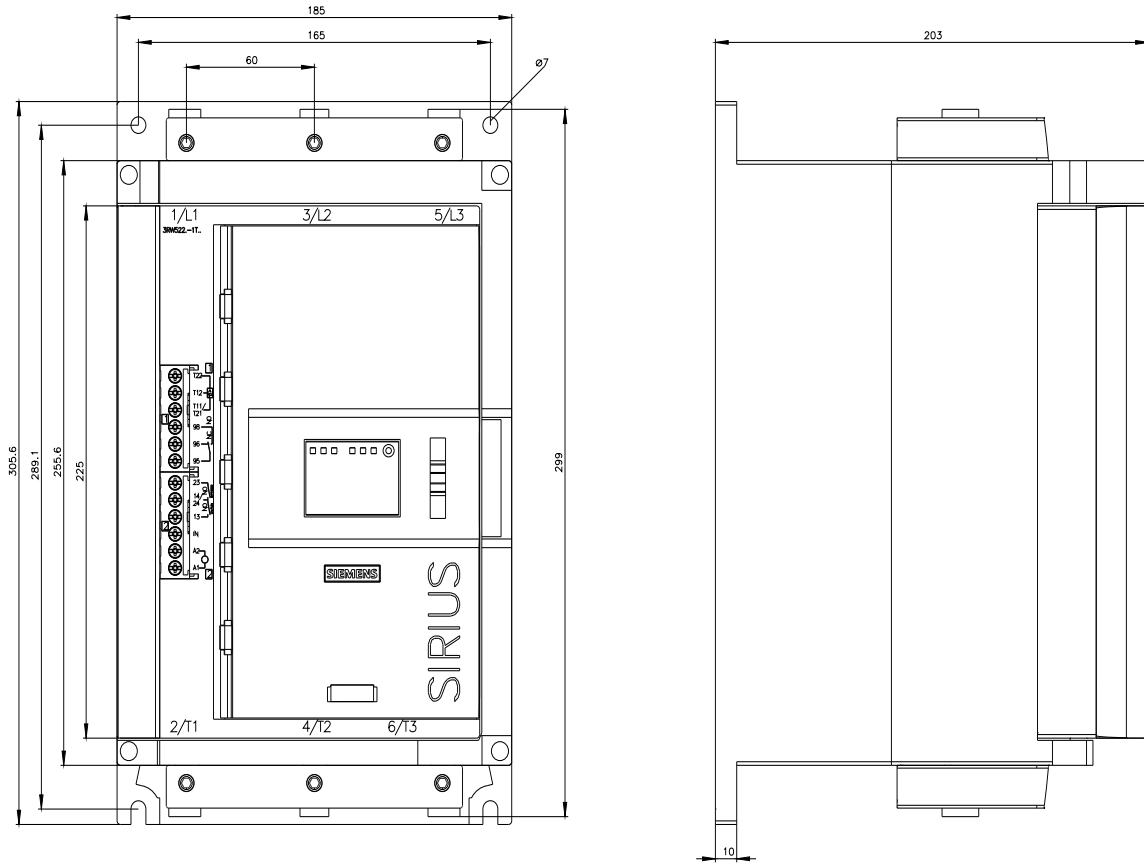
<https://support.industry.siemens.com/cs/ww/en/ps/3RW5224-1TC15/char>

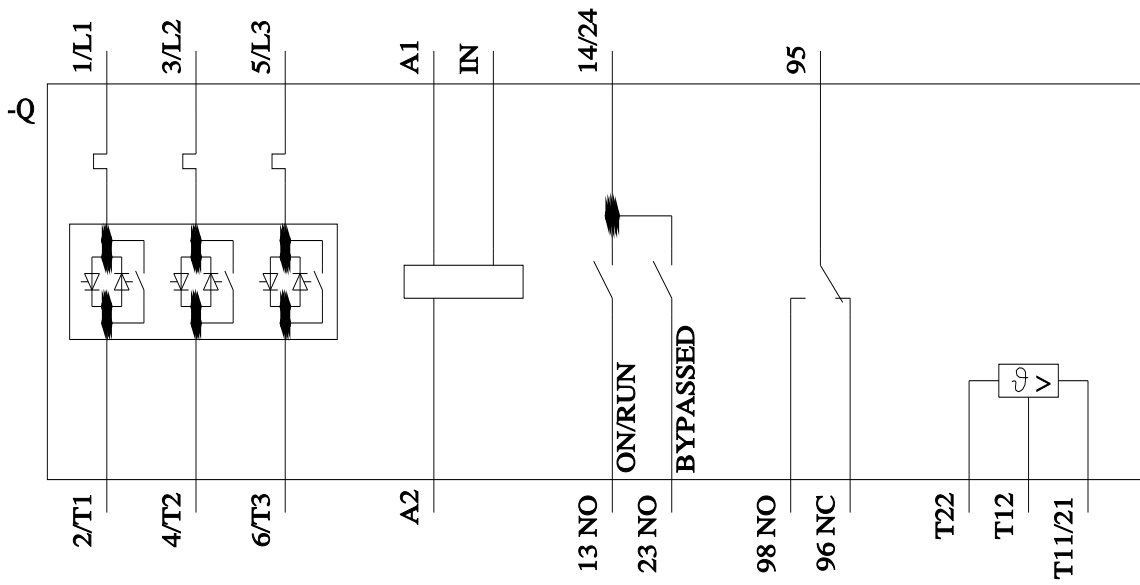
Characteristic: Installation altitude

<https://www.automation.siemens.com/bilddb/index.aspx?view=Search&mlfb=3RW5224-1TC15&objecttype=14&gridview=view1>

Simulation Tool for Soft Starters (STS)

<https://support.industry.siemens.com/cs/ww/en/view/101494917>





last modified:

4/2/2025 ↻

