



Figure similar

hinge switch molded-plastic enclosure with stainless steel hinge, 2 NC contacts/1 NO contact, for 40 mm profiles, supplied with additional hinge and fixing accessories, actuating angle 4°

product brand name	SIRIUS
product designation	safety position switch
product type designation	3SE228
suitability for use safety switch	Yes
General technical data	
product function positive opening	Yes
insulation voltage rated value	250 V
surge voltage resistance rated value	4 kV
protection class IP	IP65
shock resistance	30g / 18 ms
vibration resistance	10 ... 200 Hz: 20g
mechanical service life (operating cycles) typical	1 000 000
thermal current	2.5 A
reference code according to IEC 81346-2	B
active principle	mechanical
Substance Prohibitance (Date)	07/01/2006
Weight	0.8 kg
length of the sensor	92 mm
width of the sensor	111.5 mm
Ambient conditions	
ambient temperature	
• during operation	-25 ... +65 °C
explosion protection category for dust	none
design of the switching contact	mechanical
number of NC contacts for auxiliary contacts	2
number of NO contacts for auxiliary contacts	1
operational current at AC-15	
• at 125 V rated value	4.2 A
• at 230 V rated value	2 A
operational current at DC-13	
• at 24 V rated value	1 A
Enclosure	
design of the housing	special design
material of the enclosure	glass fiber reinforced thermoplast
coating of the enclosure	none
design of the housing according to standard	No
Drive Head	
design of the actuating element	rotary actuator

design of the switching function	positive opening	
circuit principle	slow-action contacts	
number of switching contacts safety-related	2	
cable entry type	2x (M20 x 1.5)	
Installation/ mounting/ dimensions		
fastening method	screw fixing	
Connections/ Terminals		
type of electrical connection	screw terminal	
type of connectable conductor cross-sections		
• finely stranded with core end processing	1x (0,5 ... 1 mm ²)	
design of the interface for safety-related communication	without	
Communication/ Protocol		
design of the interface	without	
Approvals Certificates		
General Product Approval	Test Certificates	Maritime application



EG-Konf.




UL



[Miscellaneous](#)

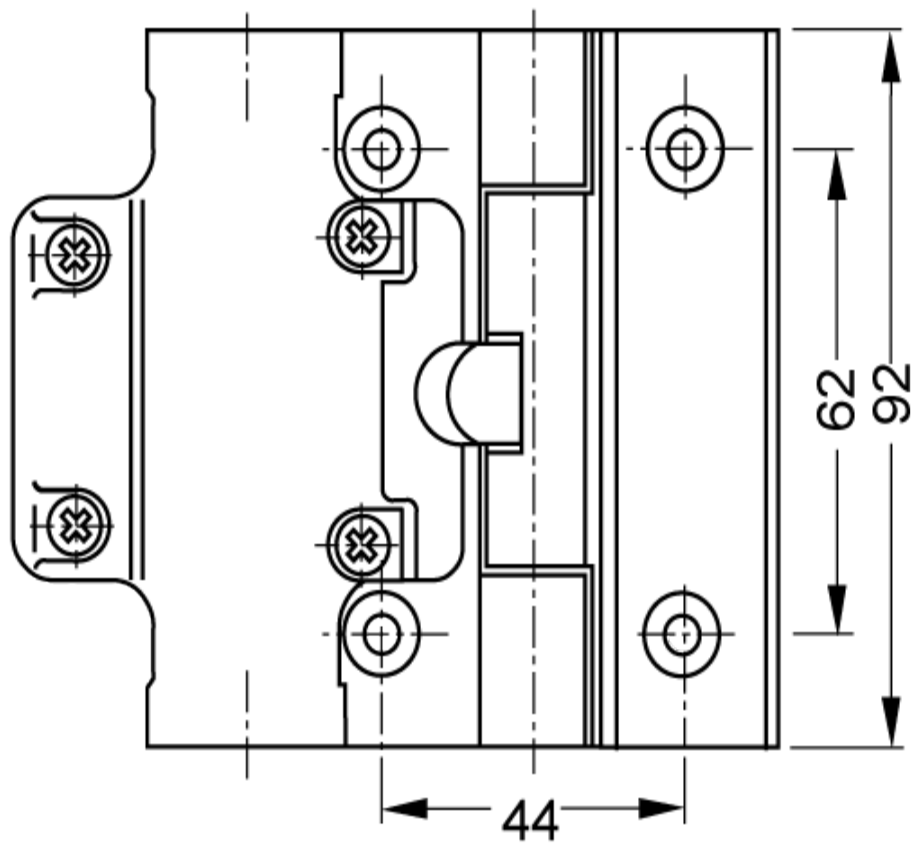
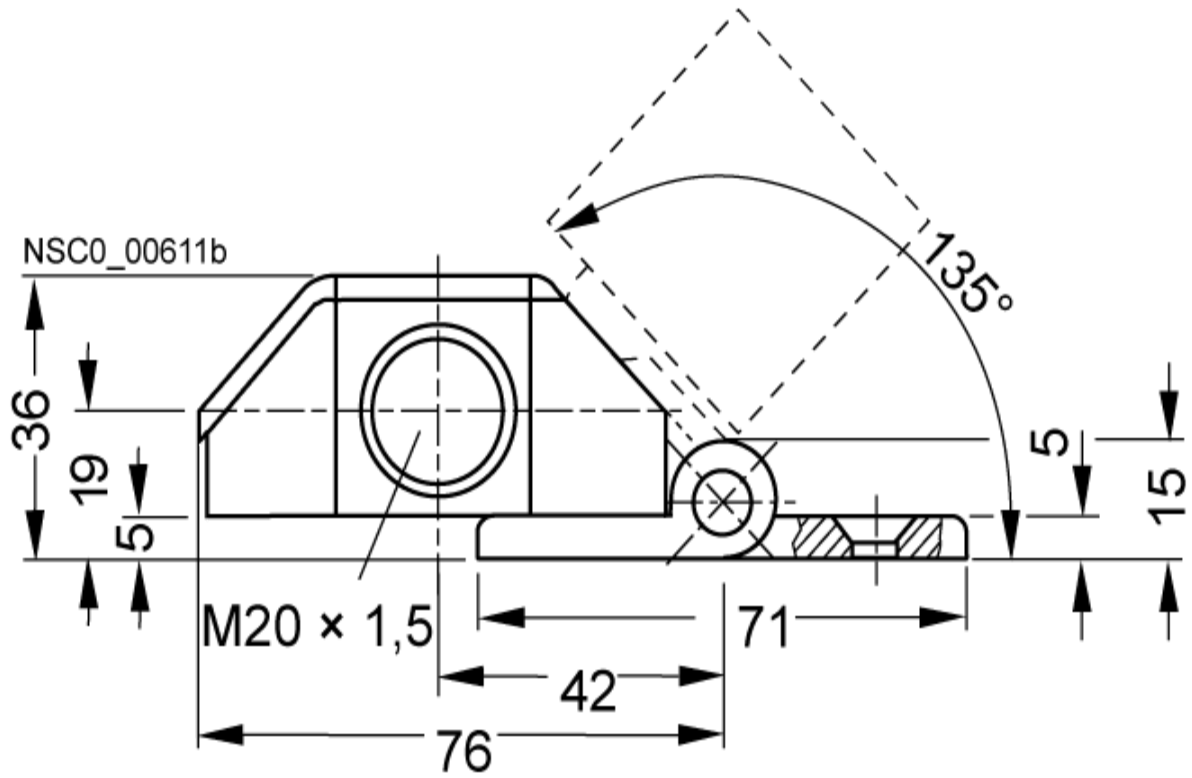


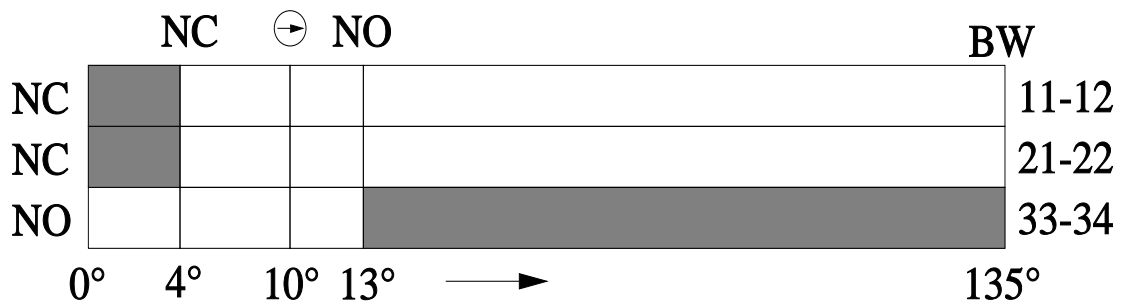
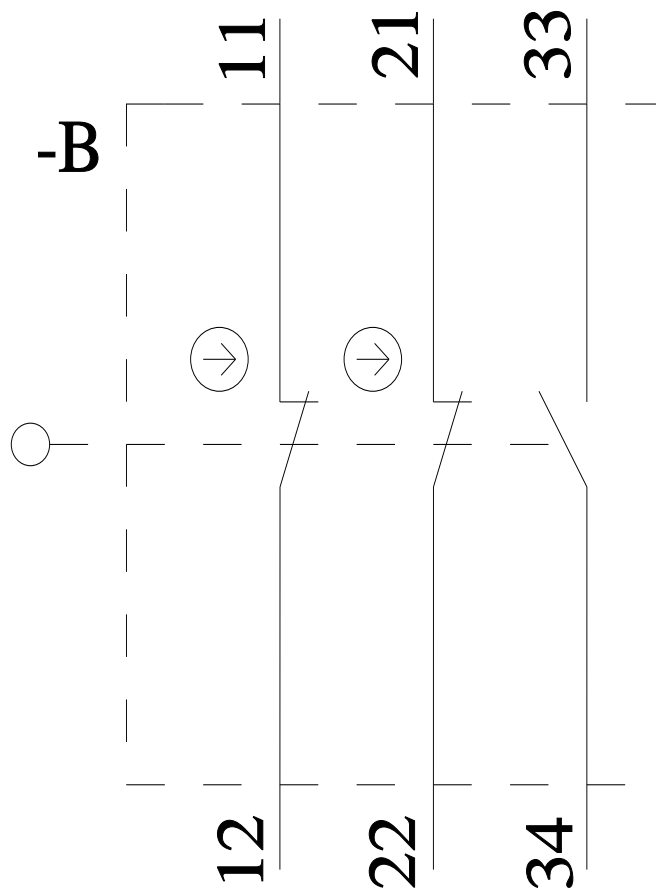
PRS

other	Environment
	<p>Confirmation</p> <p>Environmental Confirmations</p>

Further information

- Information on the packaging
<https://support.industry.siemens.com/cs/ww/en/view/109813875>
- Information for data generation and storage
<https://support.industry.siemens.com/cs/ww/en/view/109995012>
- Information- and Downloadcenter (Catalogs, Brochures,...)
<https://www.siemens.com/ic10>
- Industry Mall (Online ordering system)
<https://mall.industry.siemens.com/mall/en/en/Catalog/product?mlfb=3SE2283-0GA44>
- Cax online generator
<https://support.automation.siemens.com/WW/CAXorder/default.aspx?lang=en&mlfb=3SE2283-0GA44>
- Service&Support (Manuals, Certificates, Characteristics, FAQs,...)
<https://support.industry.siemens.com/cs/ww/en/ps/3SE2283-0GA44>
- Image database (product images, 2D dimension drawings, 3D models, device circuit diagrams, EPLAN macros, ...)
https://www.automation.siemens.com/bilddb/cax_de.aspx?mlfb=3SE2283-0GA44&lang=en





NC Öffnerkontakt / NC contact

NO Schließerkontakt / NO contact

→ Betätigungsrichtung / Travel

BW Betätigungsweg / Actuator travel

⊕ Zwangsöffnung nach / positive opening operation according to EN 60967-5-1

■ Schaltglied geschlossen / Contact element closed

□ Schaltglied geöffnet / Contact element open