



Figure similar

Hinge switch Molded-plastic enclosure with aluminum hinge 3xNC, Slow-action contacts for 40 mm profiles Supplied with additional hinge and fixing material Cable entry 2 x M20 x 1.5 Actuating angle 8°

| | |
|--|------------------------------------|
| product brand name | SIRIUS |
| product designation | Safety hinge switches |
| product type designation | 3SE228 |
| suitability for use safety switch | Yes |
| General technical data | |
| product function positive opening | Yes |
| insulation voltage rated value | 250 V |
| surge voltage resistance rated value | 4 kV |
| protection class IP | IP65 |
| shock resistance | 30g / 18 ms |
| vibration resistance | 10 ... 200 Hz: 20g |
| mechanical service life (operating cycles) typical | 1 000 000 |
| thermal current | 2.5 A |
| reference code according to IEC 81346-2 | B |
| active principle | mechanical |
| Substance Prohibitance (Date) | 07/01/2006 |
| SVHC substance name | Lead - 7439-92-1 |
| Weight | 0.422 kg |
| length of the sensor | 92 mm |
| width of the sensor | 111.5 mm |
| Ambient conditions | |
| ambient temperature | |
| • during operation | -25 ... +65 °C |
| explosion protection category for dust | none |
| design of the switching contact | mechanical |
| number of NC contacts for auxiliary contacts | 3 |
| number of NO contacts for auxiliary contacts | 0 |
| operational current at AC-15 | |
| • at 125 V rated value | 4.2 A |
| • at 230 V rated value | 2 A |
| operational current at DC-13 | |
| • at 24 V rated value | 1 A |
| Enclosure | |
| design of the housing | special design |
| material of the enclosure | glass fiber reinforced thermoplast |
| coating of the enclosure | none |
| design of the housing according to standard | No |
| Drive Head | |
| design of the actuating element | rotary actuator |

| | | |
|--|---------------------------------|----------------------|
| design of the switching function | positive opening | |
| circuit principle | slow-action contacts | |
| number of switching contacts safety-related | 3 | |
| cable entry type | 2x (M20 x 1.5) | |
| Installation/ mounting/ dimensions | | |
| fastening method | screw fixing | |
| Connections/ Terminals | | |
| type of electrical connection | screw terminal | |
| type of connectable conductor cross-sections | | |
| • finely stranded with core end processing | 1x (0,5 ... 1 mm ²) | |
| design of the interface for safety-related communication | without | |
| Communication/ Protocol | | |
| design of the interface | without | |
| Approvals Certificates | | |
| General Product Approval | Test Certificates | Maritime application |



[Miscellaneous](#)



other

Environment



[Confirmation](#)

[Environmental Confirmations](#)

Further information

Information on the packaging

<https://support.industry.siemens.com/cs/ww/en/view/109813875>

Information for data generation and storage

<https://support.industry.siemens.com/cs/ww/en/view/109995012>

Information- and Downloadcenter (Catalogs, Brochures,...)

<https://www.siemens.com/ic10>

Industry Mall (Online ordering system)

<https://mall.industry.siemens.com/mall/en/en/Catalog/product?mlfb=3SE2283-6GA53>

Cax online generator

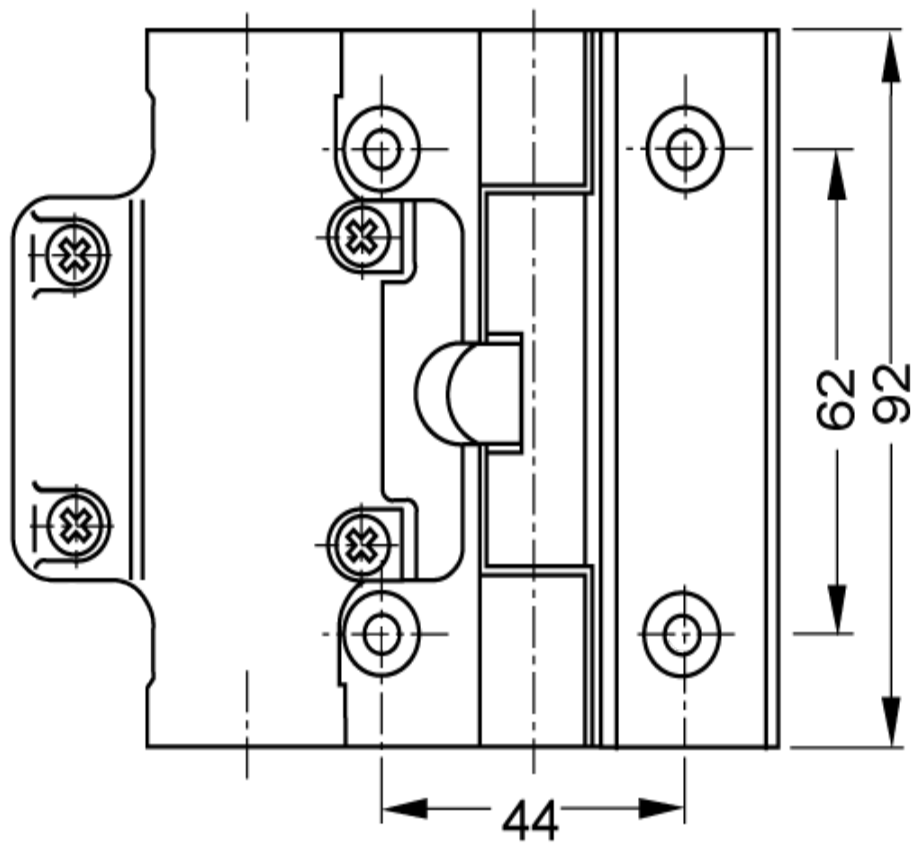
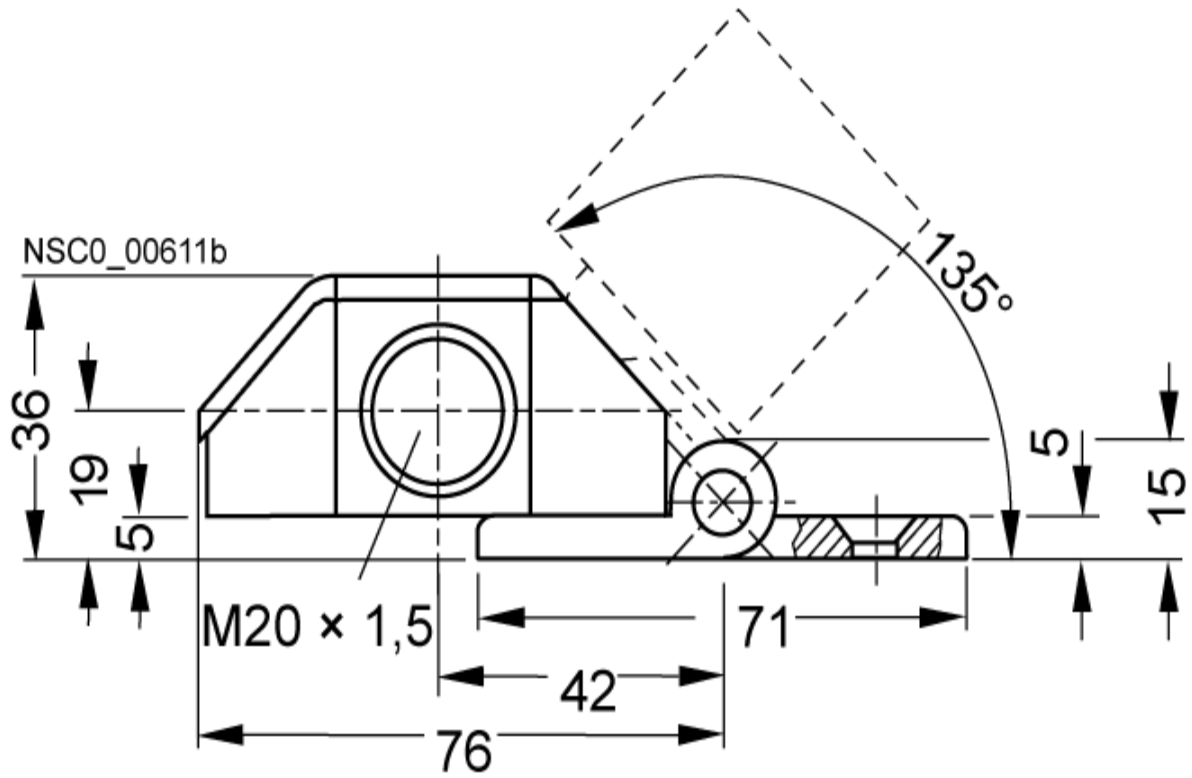
<https://support.automation.siemens.com/WW/CAXorder/default.aspx?lang=en&mlfb=3SE2283-6GA53>

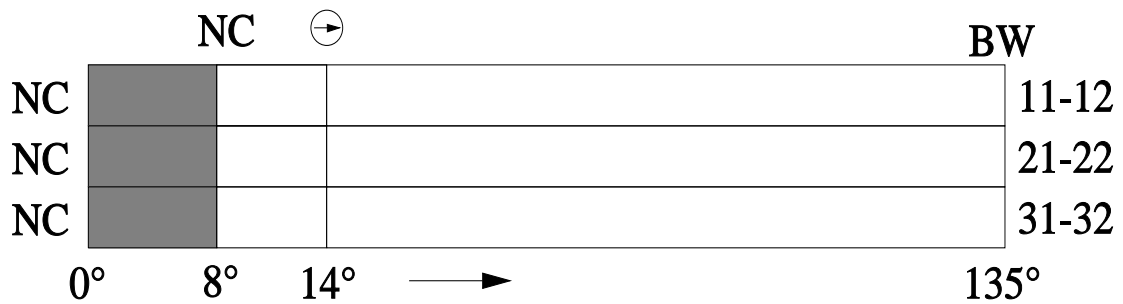
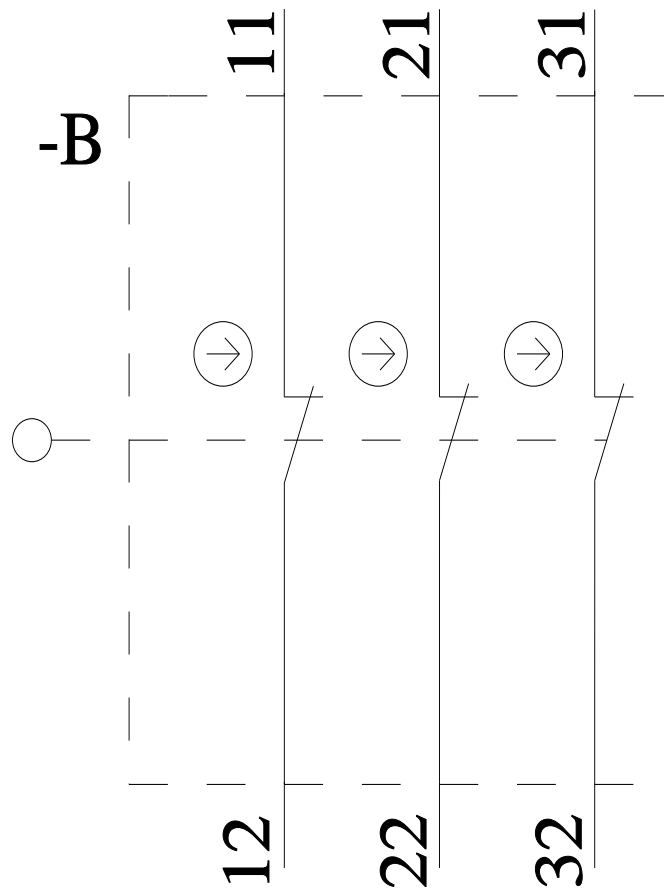
Service&Support (Manuals, Certificates, Characteristics, FAQs,...)

<https://support.industry.siemens.com/cs/ww/en/ps/3SE2283-6GA53>

Image database (product images, 2D dimension drawings, 3D models, device circuit diagrams, EPLAN macros, ...)

https://www.automation.siemens.com/bilddb/cax_de.aspx?mlfb=3SE2283-6GA53&lang=en





NC Öffnerkontakt / NC contact

→ Betätigungsrichtung / Travel

BW Betätigungsweg / Actuator travel

⊙→ Zwangsöffnung nach / positive opening operation according to EN 60967-5-1

■ Schaltglied geschlossen / Contact element closed

□ Schaltglied geöffnet / Contact element open