

momentary-contact foot switch, 2-pedal with cover, without latching, metal enclosure IP65, cable entry M25 x 1.5 slow-action contacts 1 NO+1 NC per pedal



product brand name	SIRIUS
product designation	momentary-contact foot switch
product type designation	3SE29
suitability for use safety switch	No
<b>General technical data</b>	
protection class IP	IP65
mechanical service life (operating cycles) typical	1 000 000
reference code according to IEC 81346-2	S
Substance Prohibitance (Date)	07/01/2006
SVHC substance name	Lead - 7439-92-1
Weight	2.984 kg
number of switching steps	1
number of the actuation pedals	2
minimum actuating force in directions of actuation	15 N
<b>Ambient conditions</b>	
ambient temperature during operation	-25 ... +80 °C
number of NC contacts for auxiliary contacts	1
number of NO contacts for auxiliary contacts	1
operational current at AC-15	
• at 230 V rated value	16 A
• at 400 V rated value	16 A
operational current at DC-13	
• at 24 V rated value	3 A
• at 250 V rated value	0.25 A
<b>Enclosure</b>	
material of the enclosure	metal
color	
• of the enclosure	black
• of the enclosure top part	grey
<b>Actuator</b>	
product feature	
• interlock	No
• latching	No
cable entry type	M25 x 1.5
<b>Installation/ mounting/ dimensions</b>	
height	140 mm
width	284 mm
depth	267 mm
<b>Safety related data</b>	
proportion of dangerous failures	

• with low demand rate according to SN 31920	50 %
• with high demand rate according to SN 31920	50 %
<b>B10 value with high demand rate according to SN 31920</b>	1 000 000
<b>failure rate [FIT] with low demand rate according to SN 31920</b>	100 FIT
IEC 61508	
T1 value for proof test interval or service life according to IEC 61508	20 a

#### Approvals Certificates

General Product Approval	Test Certificates
--------------------------	-------------------



[Miscellaneous](#)

Maritime application	other	Environment
----------------------	-------	-------------



[Confirmation](#)

[Environmental Confirmations](#)

#### Further information

##### Information on the packaging

<https://support.industry.siemens.com/cs/ww/en/view/109813875>

##### Information for data generation and storage

<https://support.industry.siemens.com/cs/ww/en/view/109995012>

##### Information- and Downloadcenter (Catalogs, Brochures,...)

<https://www.siemens.com/ic10>

##### Industry Mall (Online ordering system)

<https://mall.industry.siemens.com/mall/en/en/Catalog/product?mlfb=3SE2932-0AA20>

##### Cax online generator

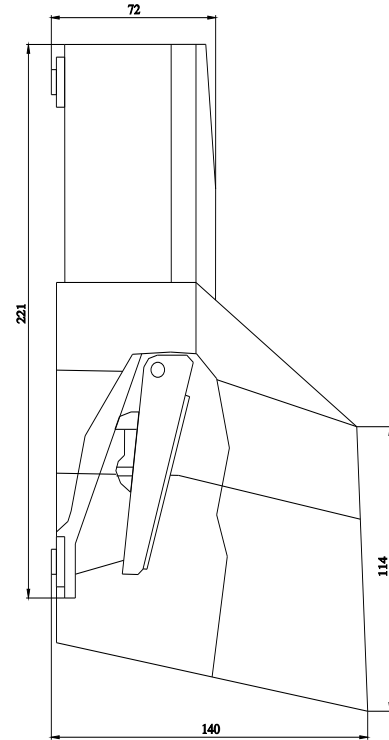
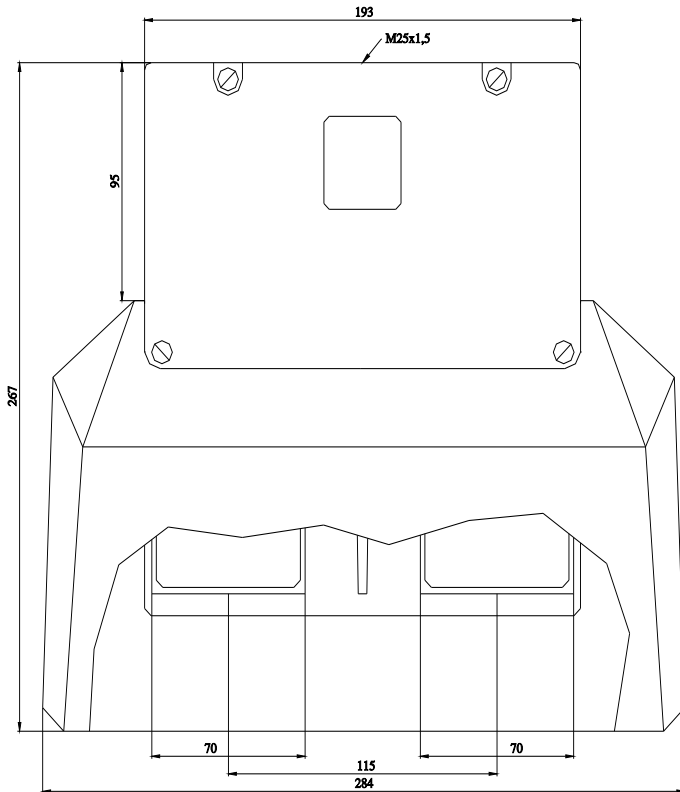
<https://support.automation.siemens.com/WW/CAXorder/default.aspx?lang=en&mlfb=3SE2932-0AA20>

##### Service&Support (Manuals, Certificates, Characteristics, FAQs,...)

<https://support.industry.siemens.com/cs/ww/en/ps/3SE2932-0AA20>

##### Image database (product images, 2D dimension drawings, 3D models, device circuit diagrams, EPLAN macros, ...)

[https://www.automation.siemens.com/bilddb/cax\\_de.aspx?mlfb=3SE2932-0AA20&lang=en](https://www.automation.siemens.com/bilddb/cax_de.aspx?mlfb=3SE2932-0AA20&lang=en)



**Pedal 1**

**Pedal 2**

