

Pedal switch 2 change-over contacts 2-pedal, without protective cover



Figure similar

product brand name	SIRIUS
product designation	momentary-contact foot switch
product type designation	3SE39
suitability for use safety switch	No
General technical data	
protection class IP	IP65
mechanical service life (operating cycles) typical	1 000 000
reference code according to IEC 81346-2	S
Substance Prohibitance (Date)	07/01/2006
Weight	0.718 kg
number of switching steps	1
number of the actuation pedals	2
Ambient conditions	
ambient temperature during operation	-10 ... +75 °C
number of NC contacts for auxiliary contacts	0
number of NO contacts for auxiliary contacts	0
operational current at AC-15 at 230 V rated value	5 A
Enclosure	
material of the enclosure	plastic with total insulation
color	
• of the enclosure	black
• of the enclosure top part	black
Actuator	
product feature	
• interlock	No
• latching	No
cable entry type	cable, 3 m
Installation/ mounting/ dimensions	
fastening method	screw fixing
height	108 mm
width	212 mm
depth	34 mm
Approvals Certificates	
General Product Approval	Test Certificates



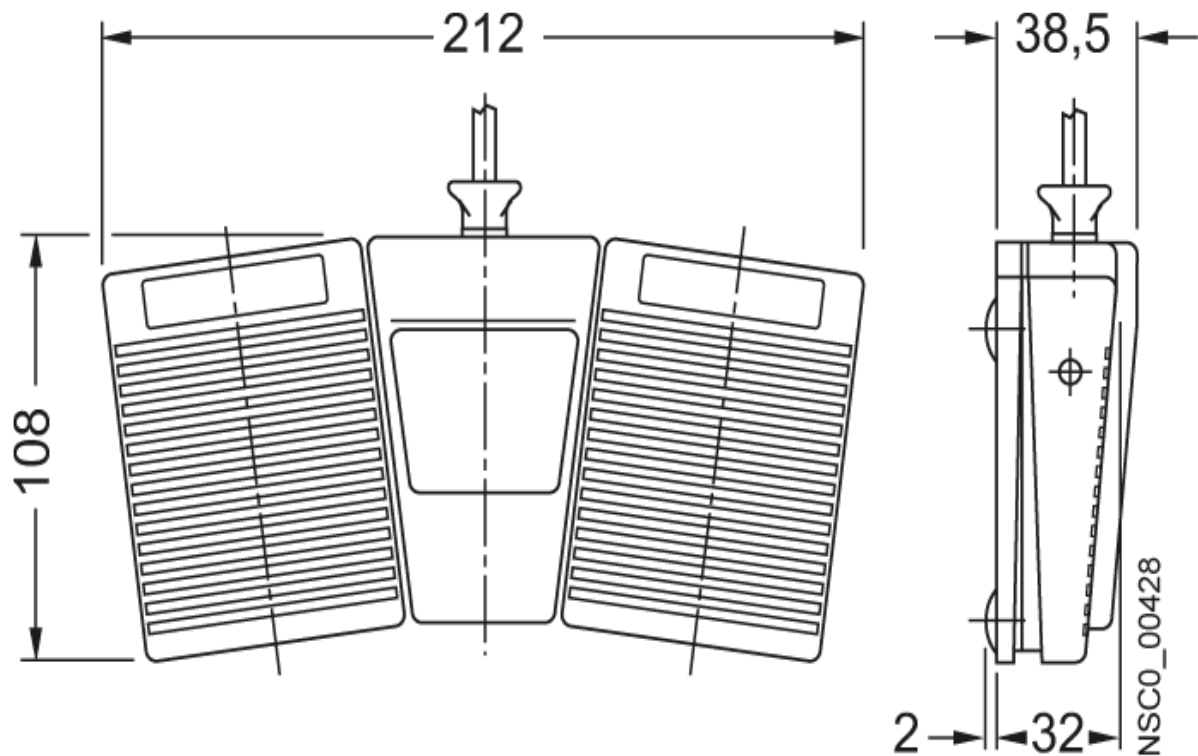
EG-Konf.

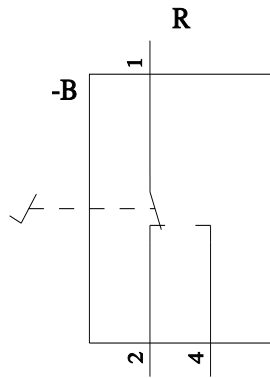
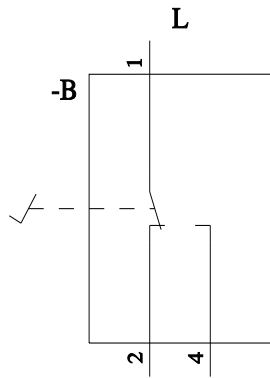


CCC



[Miscellaneous](#)

[Confirmation](#)[Environmental Con-
firmations](#)**Further information****Information on the packaging**<https://support.industry.siemens.com/cs/ww/en/view/109813875>**Information for data generation and storage**<https://support.industry.siemens.com/cs/ww/en/view/109995012>**Information- and Downloadcenter (Catalogs, Brochures,...)**<https://www.siemens.com/ic10>**Industry Mall (Online ordering system)**<https://mall.industry.siemens.com/mall/en/en/Catalog/product?mlfb=3SE3934-5CB20>**Cax online generator**<https://support.automation.siemens.com/WW/CAXorder/default.aspx?lang=en&mlfb=3SE3934-5CB20>**Service&Support (Manuals, Certificates, Characteristics, FAQs,...)**<https://support.industry.siemens.com/cs/ww/en/ps/3SE3934-5CB20>**Image database (product images, 2D dimension drawings, 3D models, device circuit diagrams, EPLAN macros, ...)**https://www.automation.siemens.com/bilddb/cax_de.aspx?mlfb=3SE3934-5CB20&lang=en



L	1	⊕ 6	YE = Yellow
	2	⊕ 7	GN = Green
	4	⊕ 5	OR = Orange
R	1	⊕ 3	BN = Brown
	2	⊕ 2	BK = Black
	4	⊕ 4	RD = Red

last modified:

4/2/2025 