



Adjustable-length Twist lever for position switch 3SE51/52 Metal lever 100 mm long Positive fit (grid hole) plastic roller 19 mm

|  |   |
|--|---|
| product brand name                                       | SIRIUS  |
| product designation                                      | actuator for part-turn actuator   |
| product type designation                                 | 3SE5  |
| manufacturer's article number                            |   |
| • of the supplied operating lever                        | <a href="#">3SE5000-0AA60</a>   |
| <b>General technical data</b>                            |   |
| product function positive opening                        | Yes   |
| shock resistance   |   |
| • according to IEC 60068-2-27                            | 30g / 11 ms   |
| vibration resistance                                     |   |
| • according to IEC 60068-2-6                             | 0.35 mm/5g  |
| mechanical service life (operating cycles) typical       | 15 000 000  |
| reference code according to IEC 81346-2                  | T   |
| active principle   | mechanical  |
| Substance Prohibition (Date)                             | 07/01/2006  |
| Weight   | 0.037 kg  |
| <b>Ambient conditions</b>                                |   |
| ambient temperature                                      |   |
| • during operation                                       | -25 ... +85 °C  |
| • during storage   | -40 ... +90 °C  |
| explosion protection category for dust                   | none  |
| <b>Enclosure</b>   |   |
| coating of the enclosure                                 | Other types   |
| <b>Drive Head</b>  |   |
| design of the actuating element                          | Adjustable twist lever, adjustable-length metal lever with latching, plastic roller 19 mm |
| shape of the switch head                                 | roller  |
| outer diameter of the switch head                        | 19 mm   |
| <b>Installation/ mounting/ dimensions</b>                |   |
| mounting position  | any   |
| fastening method   | screw fixing  |
| design of the interface for safety-related communication | without   |
| <b>Communication/ Protocol</b>                           |   |
| design of the interface                                  | without   |
| <b>Approvals Certificates</b>                            |   |
| General Product Approval                                 | Test Certificates   |



KC



[Type Test Certificates/Test Report](#)

other

Environment



[Confirmation](#)

[Environmental Confirmations](#)

### Further information

Information on the packaging

<https://support.industry.siemens.com/cs/ww/en/view/109813875>

Information for data generation and storage

<https://support.industry.siemens.com/cs/ww/en/view/109995012>

Information- and Downloadcenter (Catalogs, Brochures,...)

<https://www.siemens.com/ic10>

Industry Mall (Online ordering system)

<https://mall.industry.siemens.com/mall/en/en/Catalog/product?mlfb=3SE5000-0AA60>

Cax online generator

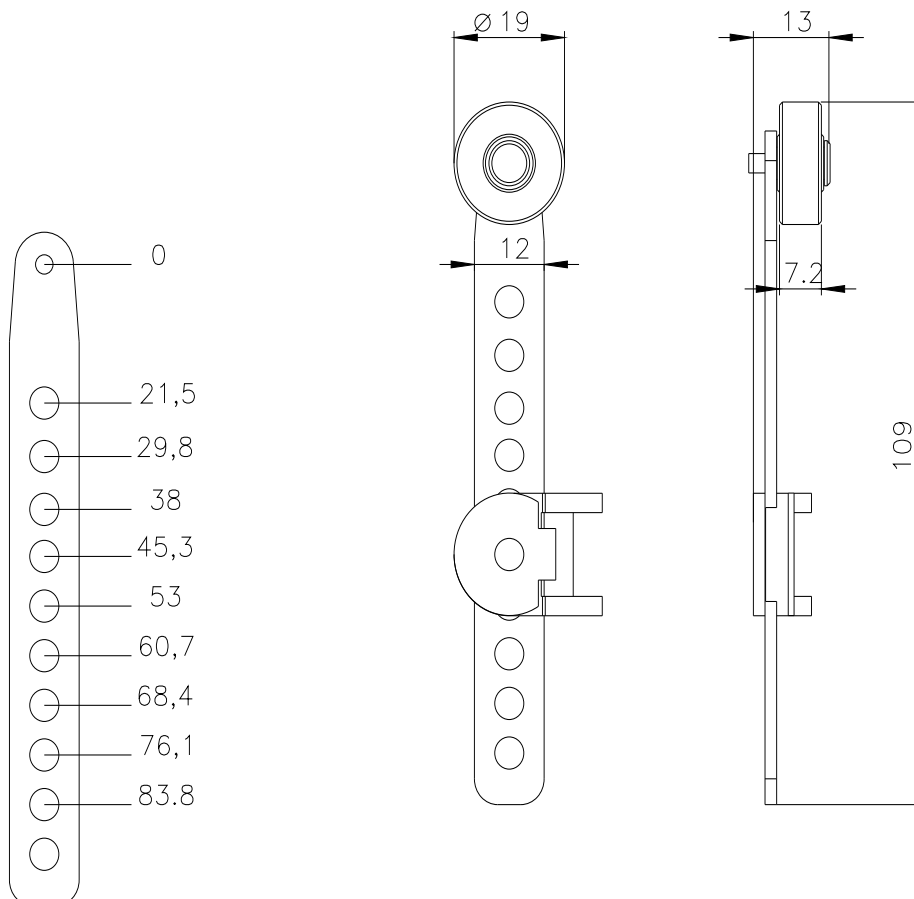
<https://support.automation.siemens.com/WW/CAXorder/default.aspx?lang=en&mlfb=3SE5000-0AA60>

Service&Support (Manuals, Certificates, Characteristics, FAQs,...)

<https://support.industry.siemens.com/cs/ww/en/ps/3SE5000-0AA60>

Image database (product images, 2D dimension drawings, 3D models, device circuit diagrams, EPLAN macros, ...)

[https://www.automation.siemens.com/bilddb/cax\\_de.aspx?mlfb=3SE5000-0AA60&lang=en](https://www.automation.siemens.com/bilddb/cax_de.aspx?mlfb=3SE5000-0AA60&lang=en)



last modified:

4/2/2025