

actuator head for position switch 3SE51/52, plain plunger made of stainless steel



product brand name	SIRIUS	
product designation	actuator head for position switch	
product type designation	3SE5	
manufacturer's article number		
<ul style="list-style-type: none"> <li>of the supplied actuator head for position switches</li> </ul>	<a href="#">3SE5000-0AB01</a>	
<b>General technical data</b>		
product function positive opening	Yes	
shock resistance		
<ul style="list-style-type: none"> <li>according to IEC 60068-2-27</li> </ul>	30g / 11 ms	
vibration resistance		
<ul style="list-style-type: none"> <li>according to IEC 60068-2-6</li> </ul>	0.35 mm/5g	
mechanical service life (operating cycles) typical	15 000 000	
material of the enclosure of the switch head	metal	
reference code according to IEC 81346-2	T	
active principle	mechanical	
Substance Prohibition (Date)	07/01/2006	
Weight	0.015 kg	
minimum actuating force in directions of actuation	20 N	
<b>Ambient conditions</b>		
ambient temperature		
<ul style="list-style-type: none"> <li>during operation</li> <li>during storage</li> </ul>	-25 ... +85 °C -40 ... +90 °C	
explosion protection category for dust	none	
<b>Enclosure</b>		
coating of the enclosure	Other types	
<b>Drive Head</b>		
design of the actuating element	Rounded plunger, high-grade steel plunger	
shape of the switch head	rounded	
outer diameter of the switch head	8.5 mm	
<b>Installation/ mounting/ dimensions</b>		
mounting position	any	
fastening method	lockable plug-in fixing	
design of the interface for safety-related communication	without	
<b>Communication/ Protocol</b>		
design of the interface	without	
<b>Approvals Certificates</b>		
General Product Approval	Functional Safety	Test Certificates



[Type Examination Certificate](#)

[Type Test Certificates/Test Report](#)

other

Environment



[Confirmation](#)

[Environmental Confirmations](#)

#### Further information

Information on the packaging

<https://support.industry.siemens.com/cs/ww/en/view/109813875>

Information for data generation and storage

<https://support.industry.siemens.com/cs/ww/en/view/109995012>

Information- and Downloadcenter (Catalogs, Brochures,...)

<https://www.siemens.com/ic10>

Industry Mall (Online ordering system)

<https://mall.industry.siemens.com/mall/en/en/Catalog/product?mlfb=3SE5000-0AB01>

Cax online generator

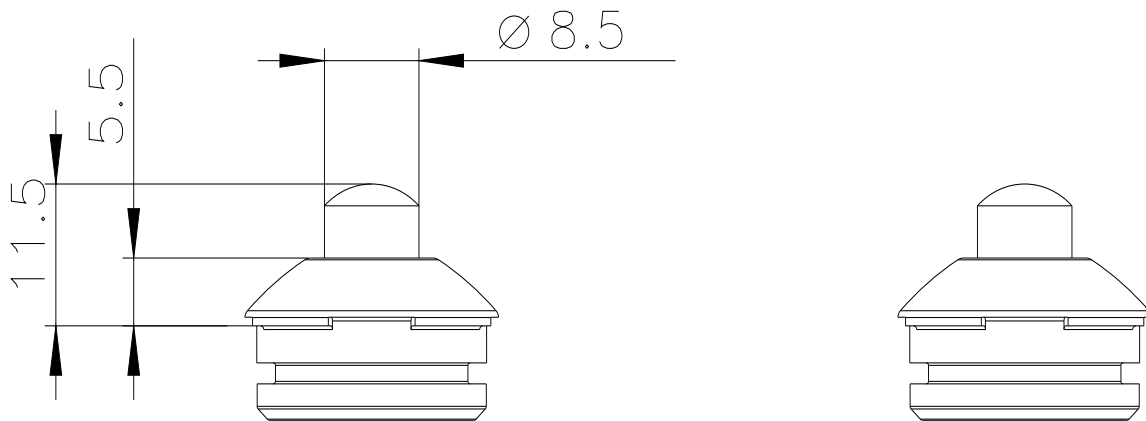
<https://support.automation.siemens.com/WW/CAXorder/default.aspx?lang=en&mlfb=3SE5000-0AB01>

Service&Support (Manuals, Certificates, Characteristics, FAQs,...)

<https://support.industry.siemens.com/cs/ww/en/ps/3SE5000-0AB01>

Image database (product images, 2D dimension drawings, 3D models, device circuit diagrams, EPLAN macros, ...)

[https://www.automation.siemens.com/bilddb/cax\\_de.aspx?mlfb=3SE5000-0AB01&lang=en](https://www.automation.siemens.com/bilddb/cax_de.aspx?mlfb=3SE5000-0AB01&lang=en)



last modified:

4/2/2025