



Actuator head for position switch 3SE51 Rounded plunger with 3 mm overtravel stainless steel plunger functional at -40 °C

| | |
|--|---|
| product brand name | SIRIUS |
| product designation | actuator head for position switch |
| product type designation | 3SE5 |
| General technical data | |
| product function positive opening | Yes |
| shock resistance | |
| • according to IEC 60068-2-27 | 30g / 11 ms |
| • for railway applications according to EN 61373 | Category 1, Class B |
| vibration resistance | |
| • according to IEC 60068-2-6 | 0.35 mm/5g |
| • for railway applications according to EN 61373 | Category 1, Class B |
| mechanical service life (operating cycles) typical | 15 000 000 |
| material of the enclosure of the switch head | metal |
| reference code according to IEC 81346-2 | T |
| active principle | mechanical |
| Substance Prohibition (Date) | 07/01/2006 |
| Weight | 0.04 kg |
| minimum actuating force in directions of actuation | 20 N |
| Ambient conditions | |
| ambient temperature | |
| • during operation | -40 ... +85 °C |
| • during storage | -40 ... +90 °C |
| explosion protection category for dust | none |
| Enclosure | |
| coating of the enclosure | Other types |
| Drive Head | |
| design of the actuating element | Rounded plunger, high-grade steel plunger |
| standard-compliant actuator head | EN 50041, design B |
| shape of the switch head | rounded |
| outer diameter of the switch head | 10 mm |
| Installation/ mounting/ dimensions | |
| mounting position | any |
| fastening method | lockable plug-in fixing |
| design of the interface for safety-related communication | without |
| Communication/ Protocol | |
| design of the interface | without |
| Approvals Certificates | |
| General Product Approval | Functional Safety |



KC



[Type Examination Certificate](#)

Test Certificates other Environment

[Type Test Certificates/Test Report](#)



[Confirmation](#)

[Environmental Confirmations](#)

Further information

Information on the packaging

<https://support.industry.siemens.com/cs/ww/en/view/109813875>

Information for data generation and storage

<https://support.industry.siemens.com/cs/ww/en/view/109995012>

Information- and Downloadcenter (Catalogs, Brochures,...)

<https://www.siemens.com/ic10>

Industry Mall (Online ordering system)

<https://mall.industry.siemens.com/mall/en/en/Catalog/product?mlfb=3SE5000-0AC02-1AJ0>

Cax online generator

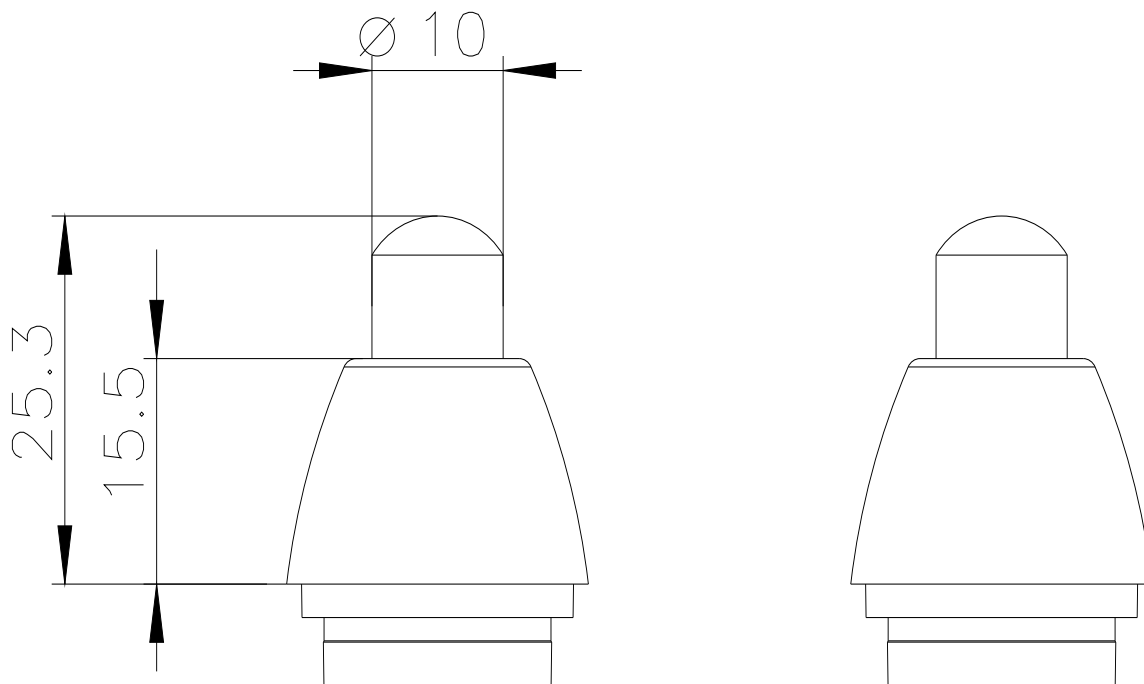
<https://support.automation.siemens.com/WW/CAXorder/default.aspx?lang=en&mlfb=3SE5000-0AC02-1AJ0>

Service&Support (Manuals, Certificates, Characteristics, FAQs,...)

<https://support.industry.siemens.com/cs/ww/en/ps/3SE5000-0AC02-1AJ0>

Image database (product images, 2D dimension drawings, 3D models, device circuit diagrams, EPLAN macros, ...)

https://www.automation.siemens.com/bilddb/cax_de.aspx?mlfb=3SE5000-0AC02-1AJ0&lang=en



last modified:

4/2/2025