



Actuator head for position switch 3SE5132 Roller plunger Plastic roller 13 mm functional at -40 °C

product brand name	SIRIUS	
product designation	actuator head for position switch	
product type designation	3SE5	
<b>General technical data</b>		
product function positive opening	Yes	
<b>shock resistance</b>		
• according to IEC 60068-2-27	30g / 11 ms	
• for railway applications according to EN 61373	Category 1, Class B	
<b>vibration resistance</b>		
• according to IEC 60068-2-6	0.35 mm/5g	
• for railway applications according to EN 61373	Category 1, Class B	
<b>mechanical service life (operating cycles) typical</b>	15 000 000	
<b>material of the enclosure of the switch head</b>	plastic	
<b>reference code according to IEC 81346-2</b>	T	
<b>active principle</b>	mechanical	
<b>Substance Prohibition (Date)</b>	07/01/2006	
<b>Weight</b>	0.023 kg	
<b>minimum actuating force in directions of actuation</b>	20 N	
<b>Ambient conditions</b>		
<b>ambient temperature</b>		
• during operation	-40 ... +85 °C	
• during storage	-40 ... +90 °C	
<b>explosion protection category for dust</b>	none	
<b>Enclosure</b>		
<b>coating of the enclosure</b>	Other types	
<b>Drive Head</b>		
<b>design of the actuating element</b>	Roller plunger, plastic roller	
<b>standard-compliant actuator head</b>	EN 50041, design C	
<b>shape of the switch head</b>	roller	
<b>outer diameter of the switch head</b>	13 mm	
<b>Installation/ mounting/ dimensions</b>		
<b>mounting position</b>	any	
<b>fastening method</b>	lockable plug-in fixing	
design of the interface for safety-related communication	without	
<b>Communication/ Protocol</b>		
<b>design of the interface</b>	without	
<b>Approvals Certificates</b>		
General Product Approval	Functional Safety	Test Certificates



[Type Examination Certificate](#)

[Type Test Certificates/Test Report](#)

other

Environment



[Confirmation](#)

[Environmental Confirmations](#)

Further information

Information on the packaging

<https://support.industry.siemens.com/cs/ww/en/view/109813875>

Information for data generation and storage

<https://support.industry.siemens.com/cs/ww/en/view/109995012>

Information- and Downloadcenter (Catalogs, Brochures,...)

<https://www.siemens.com/ic10>

Industry Mall (Online ordering system)

<https://mall.industry.siemens.com/mall/en/en/Catalog/product?mlfb=3SE5000-0AD05-1AJ0>

Cax online generator

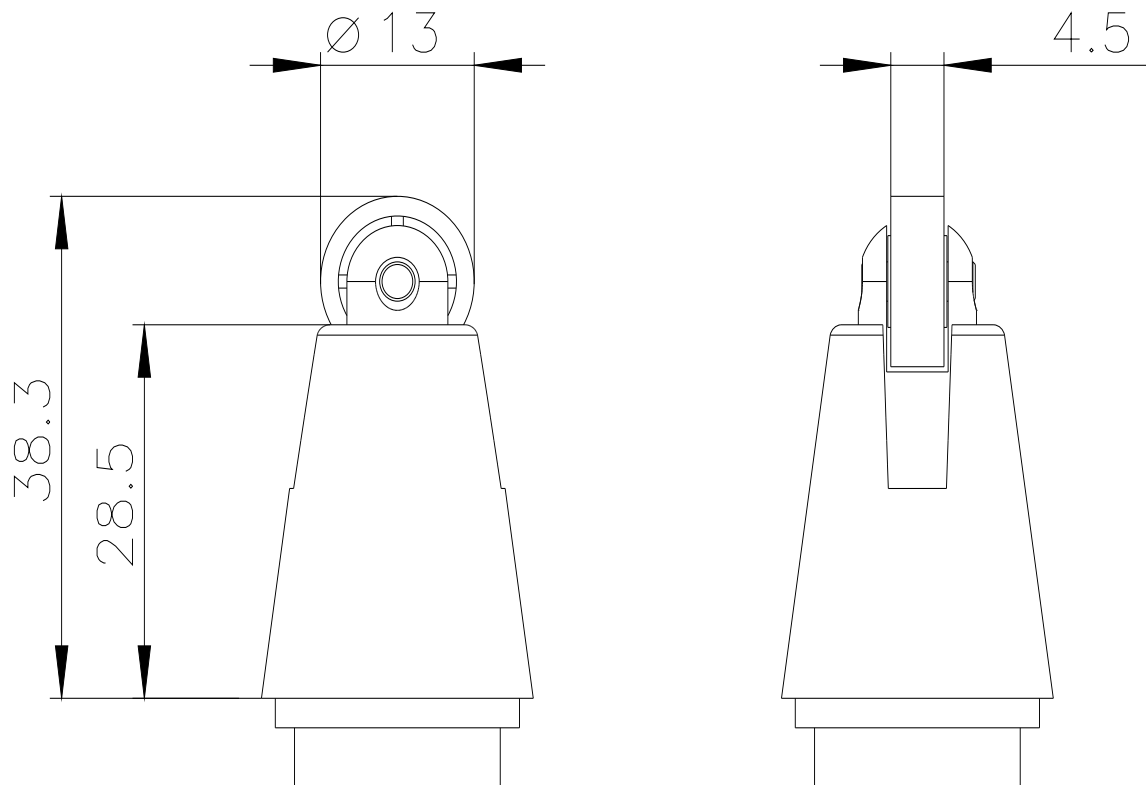
<https://support.automation.siemens.com/WW/CAXorder/default.aspx?lang=en&mlfb=3SE5000-0AD05-1AJ0>

Service&Support (Manuals, Certificates, Characteristics, FAQs,...)

<https://support.industry.siemens.com/cs/ww/en/ps/3SE5000-0AD05-1AJ0>

Image database (product images, 2D dimension drawings, 3D models, device circuit diagrams, EPLAN macros, ...)

[https://www.automation.siemens.com/bilddb/cax\\_de.aspx?mlfb=3SE5000-0AD05-1AJ0&lang=en](https://www.automation.siemens.com/bilddb/cax_de.aspx?mlfb=3SE5000-0AD05-1AJ0&lang=en)



last modified:

4/2/2025