



Actuator head plastic for position switch 3SE5132 Roller plunger, Form C, with Plastic roller 13 mm according to EN 50041

|   |                                   |                   |
|---|-----------------------------------|-------------------|
| product brand name  | SIRIUS                            |                   |
| product designation   | actuator head for position switch |                   |
| product type designation  | 3SE5                              |                   |
| manufacturer's article number   |                                   |                   |
| <ul style="list-style-type: none"> <li>of the supplied actuator head for position switches</li> </ul> | <a href="#">3SE5000-0AD05</a>     |                   |
| <b>General technical data</b>   |                                   |                   |
| product function positive opening   | Yes                               |                   |
| shock resistance  |                                   |                   |
| <ul style="list-style-type: none"> <li>according to IEC 60068-2-27</li> </ul>                         | 30g / 11 ms                       |                   |
| vibration resistance  |                                   |                   |
| <ul style="list-style-type: none"> <li>according to IEC 60068-2-6</li> </ul>                          | 0.35 mm/5g                        |                   |
| mechanical service life (operating cycles) typical  | 15 000 000                        |                   |
| material of the enclosure of the switch head  | plastic                           |                   |
| reference code according to IEC 81346-2   | T                                 |                   |
| active principle  | mechanical                        |                   |
| Substance Prohibition (Date)  | 07/01/2006                        |                   |
| Weight  | 0.02 kg                           |                   |
| minimum actuating force in directions of actuation  | 20 N                              |                   |
| <b>Ambient conditions</b>   |                                   |                   |
| ambient temperature   |                                   |                   |
| <ul style="list-style-type: none"> <li>during operation</li> <li>during storage</li> </ul>            | -25 ... +85 °C<br>-40 ... +90 °C  |                   |
| explosion protection category for dust  | none                              |                   |
| <b>Enclosure</b>  |                                   |                   |
| coating of the enclosure  | Other types                       |                   |
| <b>Drive Head</b>   |                                   |                   |
| design of the actuating element   | Roller plunger, plastic roller    |                   |
| standard-compliant actuator head  | EN 50041, design C                |                   |
| shape of the switch head  | roller                            |                   |
| outer diameter of the switch head   | 13 mm                             |                   |
| <b>Installation/ mounting/ dimensions</b>   |                                   |                   |
| mounting position   | any                               |                   |
| fastening method  | lockable plug-in fixing           |                   |
| design of the interface for safety-related communication  | without                           |                   |
| <b>Communication/ Protocol</b>  |                                   |                   |
| design of the interface   | without                           |                   |
| <b>Approvals Certificates</b>   |                                   |                   |
| General Product Approval  | Functional Safety                 | Test Certificates |



[Type Examination Certificate](#)

[Type Test Certificates/Test Report](#)

other

Environment

[Confirmation](#)



[Environmental Confirmations](#)

### Further information

Information on the packaging

<https://support.industry.siemens.com/cs/ww/en/view/109813875>

Information for data generation and storage

<https://support.industry.siemens.com/cs/ww/en/view/109995012>

Information- and Downloadcenter (Catalogs, Brochures,...)

<https://www.siemens.com/ic10>

Industry Mall (Online ordering system)

<https://mall.industry.siemens.com/mall/en/en/Catalog/product?mlfb=3SE5000-0AD05>

Cax online generator

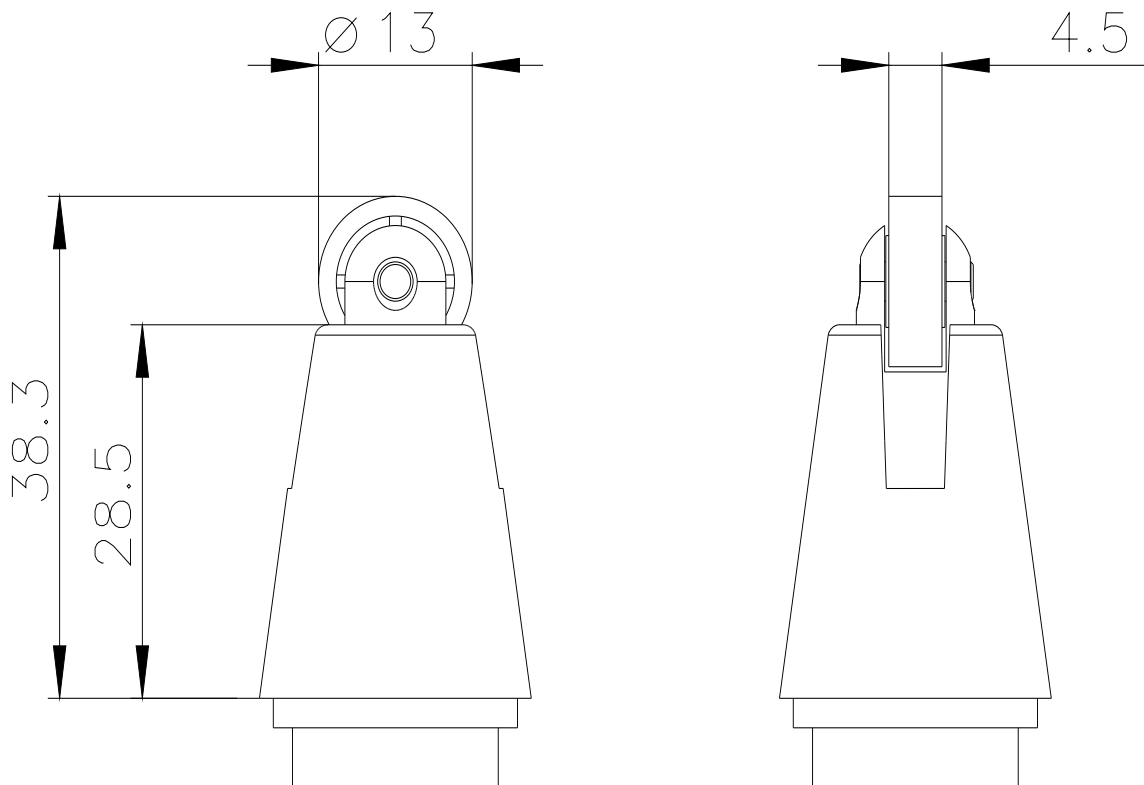
<https://support.automation.siemens.com/WW/CAXorder/default.aspx?lang=en&mlfb=3SE5000-0AD05>

Service&Support (Manuals, Certificates, Characteristics, FAQs,...)

<https://support.industry.siemens.com/cs/ww/en/ps/3SE5000-0AD05>

Image database (product images, 2D dimension drawings, 3D models, device circuit diagrams, EPLAN macros, ...)

[https://www.automation.siemens.com/bilddb/cax\\_de.aspx?mlfb=3SE5000-0AD05&lang=en](https://www.automation.siemens.com/bilddb/cax_de.aspx?mlfb=3SE5000-0AD05&lang=en)



last modified:

4/2/2025