



Separate actuator, radius actuator left for position switch with tumbler
 3SE5312/3SE5322 and AS-i 3SF13 and position switch with separate actuator
 3SE51/3SE52 and AS-i 3SF11/3SF12

| | | |
|--|-----------------------|-------|
| product brand name | SIRIUS | |
| product designation | actuator | |
| product type designation | 3SE5 | |
| General technical data | | |
| shock resistance | | |
| • according to IEC 60068-2-27 | 30g / 11 ms | |
| vibration resistance | | |
| • according to IEC 60068-2-6 | 0.35 mm/5g | |
| mechanical service life (operating cycles) typical | 1 000 000 | |
| reference code according to IEC 81346-2 | T | |
| active principle | mechanical | |
| Substance Prohibitance (Date) | 07/01/2006 | |
| SVHC substance name | Lead - 7439-92-1 | |
| Weight | 0.082 kg | |
| Ambient conditions | | |
| ambient temperature | | |
| • during operation | -25 ... +85 °C | |
| • during storage | -40 ... +90 °C | |
| Drive Head | | |
| design of the actuating element | radius actuator, left | |
| Installation/ mounting/ dimensions | | |
| mounting position | any | |
| fastening method | screw fixing | |
| Approvals Certificates | | |
| General Product Approval | Test Certificates | other |



[Type Test Certificates/Test Report](#)



| | |
|------------------------------|---|
| other | Environment |
| Confirmation | Environmental Confirmations |

Further information
 Information on the packaging

<https://support.industry.siemens.com/cs/ww/en/view/109813875>

Information for data generation and storage

<https://support.industry.siemens.com/cs/ww/en/view/109995012>

Information- and Downloadcenter (Catalogs, Brochures,...)

<https://www.siemens.com/ic10>

Industry Mall (Online ordering system)

<https://mall.industry.siemens.com/mall/en/en/Catalog/product?mlfb=3SE5000-0AV04>

Cax online generator

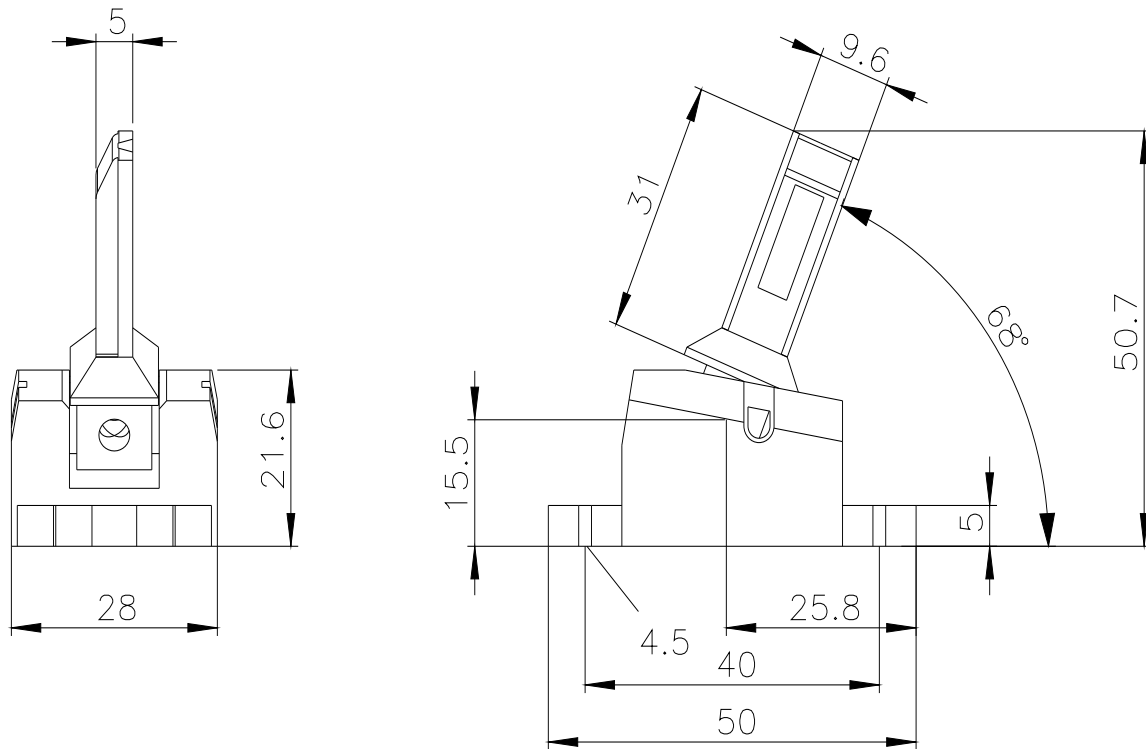
<https://support.automation.siemens.com/WW/CAXorder/default.aspx?lang=en&mlfb=3SE5000-0AV04>

Service&Support (Manuals, Certificates, Characteristics, FAQs,...)

<https://support.industry.siemens.com/cs/ww/en/ps/3SE5000-0AV04>

Image database (product images, 2D dimension drawings, 3D models, device circuit diagrams, EPLAN macros, ...)

https://www.automation.siemens.com/bilddb/cax_de.aspx?mlfb=3SE5000-0AV04&lang=en



last modified:

4/2/2025 