

stainless steel actuator with transverse mounting for extreme environmental conditions such as minus 40 degree with increased corrosion protection for safety position switch with tumbler 3SE5312/3SE5322 and AS-i 3SF13 und safety position switch with separate actuator without tumbler 3SE51/3SE52 and AS-i, 3SF11/12



product brand name	SIRIUS
product designation	actuator
product type designation	3SE5
<b>General technical data</b>	
shock resistance	
• according to IEC 60068-2-27	30g / 11 ms
vibration resistance	
• according to IEC 60068-2-6	0.35 mm/5g
mechanical service life (operating cycles) typical	1 000 000
reference code according to IEC 81346-2	T
active principle	mechanical
Substance Prohibitance (Date)	07/01/2006
Weight	0.069 kg
<b>Ambient conditions</b>	
ambient temperature	
• during operation	-40 ... +85 °C
• during storage	-40 ... +90 °C
<b>Drive Head</b>	
design of the actuating element	Actuator with transverse attachment, stainless steel
<b>Installation/ mounting/ dimensions</b>	
mounting position	any
fastening method	screw fixing
<b>Approvals Certificates</b>	
General Product Approval	other



[Confirmation](#)

**Environment**

[Environmental Confirmations](#)

**Further information**

Information on the packaging  
<https://support.industry.siemens.com/cs/ww/en/view/109813875>

Information for data generation and storage

<https://support.industry.siemens.com/cs/ww/en/view/109995012>

Information- and Downloadcenter (Catalogs, Brochures,...)

<https://www.siemens.com/ic10>

Industry Mall (Online ordering system)

<https://mall.industry.siemens.com/mall/en/en/Catalog/product?mlfb=3SE5000-0AW53>

Cax online generator

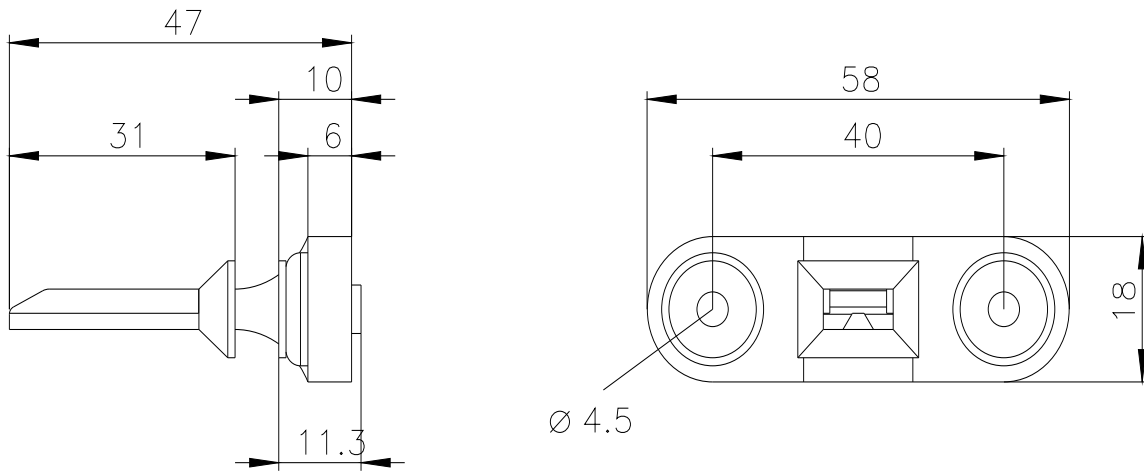
<https://support.automation.siemens.com/WW/CAXorder/default.aspx?lang=en&mlfb=3SE5000-0AW53>

Service&Support (Manuals, Certificates, Characteristics, FAQs,...)

<https://support.industry.siemens.com/cs/ww/en/ps/3SE5000-0AW53>

Image database (product images, 2D dimension drawings, 3D models, device circuit diagrams, EPLAN macros, ...)

[https://www.automation.siemens.com/bilddb/cax\\_de.aspx?mlfb=3SE5000-0AW53&lang=en](https://www.automation.siemens.com/bilddb/cax_de.aspx?mlfb=3SE5000-0AW53&lang=en)



last modified:

4/2/2025 