



LED cover for position switch Metal 3SE51, with 2 LEDs, yellow/green, 230 V AC
Color turquoise

| | |
|---|---|
| product brand name | SIRIUS |
| product designation | cover with LEDs 230 V AC, for EN 50041 enclosures, metal, turquoise |
| product type designation | 3SE5 |
| General technical data | |
| degree of pollution | class 3 |
| protection class IP | IP66/IP67 |
| shock resistance | |
| • according to IEC 60068-2-27 | 30g / 11 ms |
| vibration resistance according to IEC 60068-2-6 | 0.35 mm/5g |
| Substance Prohibitance (Date) | 07/01/2006 |
| Weight | 0.065 kg |
| length of the sensor | 78 mm |
| width of the sensor | 40 mm |
| Ambient conditions | |
| ambient temperature | |
| • during operation | -25 ... +60 °C |
| • during storage | -40 ... +90 °C |
| explosion protection category for dust | none |
| Enclosure | |
| design of the housing | block, narrow |
| coating of the enclosure | cathodic dip coating |
| Drive Head | |
| design of the actuating element | Other, without, cover |
| Installation/ mounting/ dimensions | |
| mounting position | any |
| fastening method | screw fixing |
| Supply voltage | |
| type of voltage of the supply voltage of the optional LED display | AC |
| supply voltage of LED | |
| • | 230 V |
| design of the interface for safety-related communication | without |
| Communication/ Protocol | |
| design of the interface | without |
| Approvals Certificates | |
| General Product Approval | Functional Safety |



[Type Examination Certificate](#)

| | | |
|-------------------|-------|-------------|
| Test Certificates | other | Environment |
|-------------------|-------|-------------|

[Type Test Certificates/Test Report](#)



[Confirmation](#)

[Environmental Confirmations](#)

Further information

Information on the packaging

<https://support.industry.siemens.com/cs/ww/en/view/109813875>

Information for data generation and storage

<https://support.industry.siemens.com/cs/ww/en/view/109995012>

Information- and Downloadcenter (Catalogs, Brochures,...)

<https://www.siemens.com/ic10>

Industry Mall (Online ordering system)

<https://mall.industry.siemens.com/mall/en/en/Catalog/product?mlfb=3SE5110-3AA00>

Cax online generator

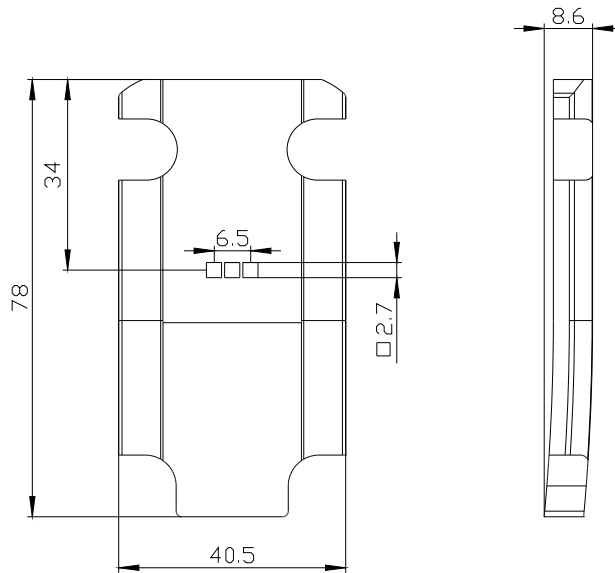
<https://support.automation.siemens.com/WW/CAXorder/default.aspx?lang=en&mlfb=3SE5110-3AA00>

Service&Support (Manuals, Certificates, Characteristics, FAQs,...)

<https://support.industry.siemens.com/cs/ww/en/ps/3SE5110-3AA00>

Image database (product images, 2D dimension drawings, 3D models, device circuit diagrams, EPLAN macros, ...)

https://www.automation.siemens.com/bilddb/cax_de.aspx?mlfb=3SE5110-3AA00&lang=en



last modified:

10/18/2025