



Position switch Plastic enclosure 40 mm according to EN 50041 Device connection 1 x (M20 x 1.5) 1 NO/1 NC quick action contacts Angular roller lever and plastic roller 22 mm

|   |  |
|---|--|
| <b>product brand name</b>   | SIRIUS   |
| <b>product designation</b>  | Mechanical position switches   |
| <b>product type designation</b>   | 3SE5   |
| <b>manufacturer's article number</b>  |  |
| <ul style="list-style-type: none"> <li>• of the supplied basic switch</li> <li>• of the supplied actuator head for position switches</li> <li>• of the supplied switching contacts</li> <li>• of the supplied empty enclosure with cover</li> </ul> | <a href="#">3SE5132-OCA00</a><br><a href="#">3SE5000-OAF05</a><br><a href="#">3SE5000-OCA00</a><br><a href="#">3SE5132-OAA00</a> |
| suitability for use safety switch   | Yes  |
| <b>General technical data</b>   |  |
| product function positive opening   | Yes  |
| <b>insulation voltage rated value</b>   | 400 V  |
| <b>degree of pollution</b>  | class 3  |
| <b>surge voltage resistance rated value</b>   | 6 kV   |
| <b>protection class IP</b>  | IP66/IP67  |
| <b>shock resistance</b>   |  |
| <ul style="list-style-type: none"> <li>• according to IEC 60068-2-27</li> </ul>   | 30g / 11 ms  |
| <b>vibration resistance according to IEC 60068-2-6</b>  | 0.35 mm/5g   |
| <b>mechanical service life (operating cycles) typical</b>   | 15 000 000   |
| <b>electrical endurance (operating cycles) at AC-15 at 230 V typical</b>  | 100 000  |
| <b>thermal current</b>  | 10 A   |
| <b>material of the enclosure of the switch head</b>   | plastic  |
| <b>reference code according to IEC 81346-2</b>  | B  |
| <b>continuous current of the C characteristic MCB</b>   | 1 A; for a short-circuit current smaller than 400 A  |
| <b>continuous current of the quick DIAZED fuse link</b>   | 10 A; for a short-circuit current smaller than 400 A   |
| <b>continuous current of the DIAZED fuse link gG</b>  | 6 A  |
| <b>active principle</b>   | mechanical   |
| <b>repeat accuracy</b>  | 0.05 mm  |
| <b>Substance Prohibition (Date)</b>   | 07/01/2006   |
| <b>SVHC substance name</b>  | Imidazolidine-2-thione (2-imidazoline-2-thiol) - 96-45-7   |
| <b>Weight</b>   | 0.115 kg   |
| <b>minimum actuating force in directions of actuation</b>   | 10 N   |
| <b>length of the sensor</b>   | 118 mm   |
| <b>width of the sensor</b>  | 40 mm  |
| <b>Ambient conditions</b>   |  |
| <b>ambient temperature</b>  |  |
| <ul style="list-style-type: none"> <li>• during operation</li> <li>• during storage</li> </ul>  | -25 ... +85 °C<br>-40 ... +90 °C   |
| <b>explosion protection category for dust</b>   | none   |

| Main circuit                                 |              |
|--|--------------|
| design of the switching contact              | mechanical   |
| operating frequency rated value              | 50 ... 60 Hz |
| number of NC contacts for auxiliary contacts | 1            |
| number of NO contacts for auxiliary contacts | 1            |
| operational current at AC-15                 |              |
| • at 24 V rated value                        | 6 A          |
| • at 125 V rated value                       | 6 A          |
| • at 240 V rated value                       | 6 A          |
| • at 400 V rated value                       | 4 A          |
| operational current at DC-13                 |              |
| • at 24 V rated value                        | 3 A          |
| • at 125 V rated value                       | 0.55 A       |
| • at 250 V rated value                       | 0.27 A       |
| • at 400 V rated value                       | 0.12 A       |

| Enclosure                                   |               |
|---|---------------|
| design of the housing                       | block, narrow |
| material of the enclosure                   | plastic       |
| coating of the enclosure                    | Other types   |
| design of the housing according to standard | Yes           |

| Drive Head                                  |   |
|---|---|
| design of the actuating element             | Angular roller lever, metal lever, plastic roller |
| standard-compliant actuator head            | EN 50041  |
| shape of the switch head                    | roller  |
| design of the switching function            | positive opening                                  |
| circuit principle                           | snap-action contacts                              |
| number of switching contacts safety-related | 1   |
| cable entry type                            | 1x (M20 x 1.5)                                    |

| Installation/ mounting/ dimensions |              |
|------------------------------------|--------------|
| mounting position                  | any          |
| fastening method                   | screw fixing |

| Connections/ Terminals                                   |   |
|--|---|
| type of electrical connection                            | screw terminal  |
| type of connectable conductor cross-sections             |   |
| • solid  | 1x (0.5 ... 1.5 mm <sup>2</sup> ), 2x (0.5 ... 0.75 mm <sup>2</sup> ) |
| • finely stranded with core end processing               | 1x (0.5 ... 1.5 mm <sup>2</sup> ), 2x (0.5 ... 0.75 mm <sup>2</sup> ) |
| • for AWG cables solid                                   | 1x (20 ... 16), 2x (20 ... 18)  |
| • for AWG cables stranded                                | 1x (20 ... 16), 2x (20 ... 18)  |
| design of the interface for safety-related communication | without   |

| Communication/ Protocol |         |
|-------------------------|---------|
| design of the interface | without |

| Approvals Certificates   |                   |
|--------------------------|-------------------|
| General Product Approval | Functional Safety |



[Type Examination Certificate](#)

| other | Environment |
|-------|-------------|
|-------|-------------|



[Confirmation](#)

[Environmental Confirmations](#)

| Further information |
|---------------------|
|---------------------|

Information on the packaging  
<https://support.industry.siemens.com/cs/ww/en/view/109813875>  
 Information for data generation and storage  
<https://support.industry.siemens.com/cs/ww/en/view/109995012>

Information- and Downloadcenter (Catalogs, Brochures,...)

<https://www.siemens.com/ic10>

Industry Mall (Online ordering system)

<https://mall.industry.siemens.com/mall/en/en/Catalog/product?mlfb=3SE5132-0CF05>

Cax online generator

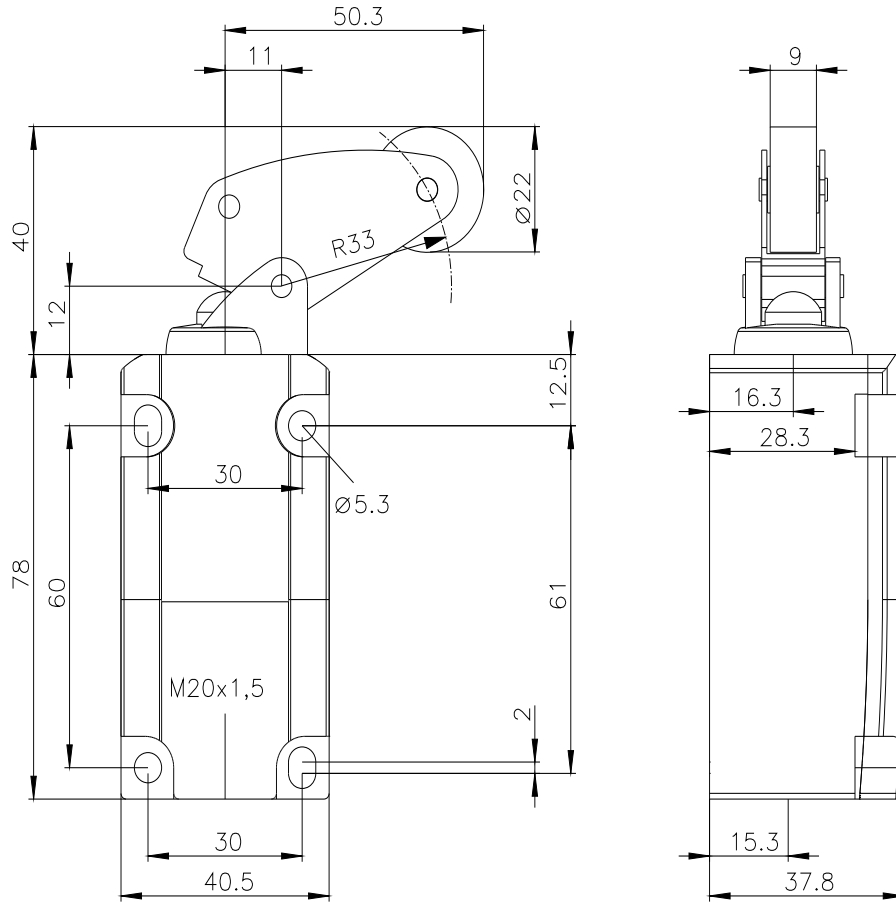
<https://support.automation.siemens.com/WW/CAXorder/default.aspx?lang=en&mlfb=3SE5132-0CF05>

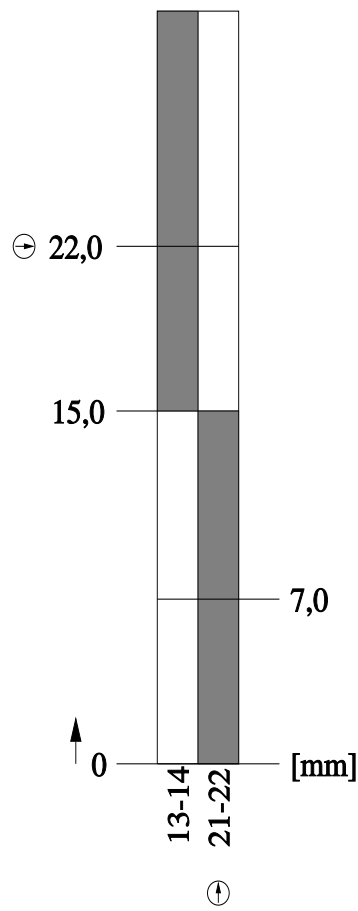
Service&Support (Manuals, Certificates, Characteristics, FAQs,...)

<https://support.industry.siemens.com/cs/ww/en/ps/3SE5132-0CF05>

Image database (product images, 2D dimension drawings, 3D models, device circuit diagrams, EPLAN macros, ...)

[https://www.automation.siemens.com/bilddb/cax\\_de.aspx?mlfb=3SE5132-0CF05&lang=en](https://www.automation.siemens.com/bilddb/cax_de.aspx?mlfb=3SE5132-0CF05&lang=en)





last modified:

4/2/2025