



Position switch Plastic enclosure according to EN 50047, 50 mm Device connection 2 x (M20 x 1.5) 1 NO/2 NC quick action contacts LEDs 110-230 V AC, yellow/green Teflon plunger

| | |
|---|--|
| product brand name | SIRIUS |
| product designation | Mechanical position switches |
| product type designation | 3SE5 |
| manufacturer's article number | |
| • of the supplied switching contacts | 3SE5000-0LA00 |
| • of the supplied empty enclosure with cover | 3SE5242-0AC05 |
| suitability for use safety switch | Yes |
| General technical data | |
| product function positive opening | Yes |
| insulation voltage rated value | 400 V |
| degree of pollution | class 3 |
| surge voltage resistance rated value | 4 kV |
| protection class IP | IP66/IP67 |
| shock resistance | |
| • according to IEC 60068-2-27 | 30g / 11 ms |
| vibration resistance | |
| • according to IEC 60068-2-6 | 0.35 mm/5g |
| mechanical service life (operating cycles) typical | 15 000 000 |
| electrical endurance (operating cycles) at AC-15 at 230 V typical | 100 000 |
| thermal current | 10 A |
| material of the enclosure of the switch head | plastic |
| reference code according to IEC 81346-2 | B |
| continuous current of the C characteristic MCB | 1 A; for a short-circuit current smaller than 400 A |
| continuous current of the quick DIAZED fuse link | 10 A; for a short-circuit current smaller than 400 A |
| continuous current of the DIAZED fuse link gG | 6 A |
| active principle | mechanical |
| repeat accuracy | 0.05 mm |
| Substance Prohibitance (Date) | 07/01/2006 |
| SVHC substance name | Imidazolidine-2-thione (2-imidazoline-2-thiol) - 96-45-7 |
| Weight | 0.086 kg |
| minimum actuating force in directions of actuation | 20 N |
| length of the sensor | 60.7 mm |
| width of the sensor | 50 mm |
| Ambient conditions | |
| ambient temperature | |
| • during operation | -25 ... +60 °C |
| • during storage | -40 ... +90 °C |
| explosion protection category for dust | none |
| Main circuit | |

| | |
|--|--------------|
| design of the switching contact | mechanical |
| operating frequency rated value | 50 ... 60 Hz |
| number of NC contacts for auxiliary contacts | 2 |
| number of NO contacts for auxiliary contacts | 1 |
| operational current at AC-15 | |
| • at 230 V rated value | 6 A |

| | |
|---|-------------|
| Enclosure | |
| design of the housing | block, wide |
| material of the enclosure | plastic |
| coating of the enclosure | Other types |
| design of the housing according to standard | No |

| | |
|---|----------------------------------|
| Drive Head | |
| design of the actuating element | Rounded plunger, plastic plunger |
| standard-compliant actuator head | EN 50047, design B |
| shape of the switch head | rounded |
| design of the switching function | positive opening |
| circuit principle | snap-action contacts |
| number of switching contacts safety-related | 2 |
| cable entry type | 2x (M20 x 1.5) |

| | |
|---|--------------|
| Installation/ mounting/ dimensions | |
| mounting position | any |
| fastening method | screw fixing |

| | |
|--|---|
| Connections/ Terminals | |
| type of electrical connection | screw terminal |
| type of connectable conductor cross-sections | |
| • solid | 1x (0.5 ... 1.5 mm ²), 2x (0.5 ... 0.75 mm ²) |
| • finely stranded with core end processing | 1x (0.5 ... 1.5 mm ²), 2x (0.5 ... 0.75 mm ²) |
| • for AWG cables solid | 1x (20 ... 16), 2x (20 ... 18) |
| • for AWG cables stranded | 1x (20 ... 16), 2x (20 ... 18) |

| | |
|---|---------|
| Supply voltage | |
| type of voltage of the supply voltage of the optional LED display | AC |
| supply voltage of LED | |
| • | 230 V |
| design of the interface for safety-related communication | without |

| | |
|--------------------------------|---------|
| Communication/ Protocol | |
| design of the interface | without |

| | |
|-------------------------------|-------------------|
| Approvals Certificates | |
| General Product Approval | Functional Safety |



[Type Examination Certificate](#)

| | | |
|-------------------|-------|-------------|
| Test Certificates | other | Environment |
|-------------------|-------|-------------|

[Type Test Certificates/Test Report](#)

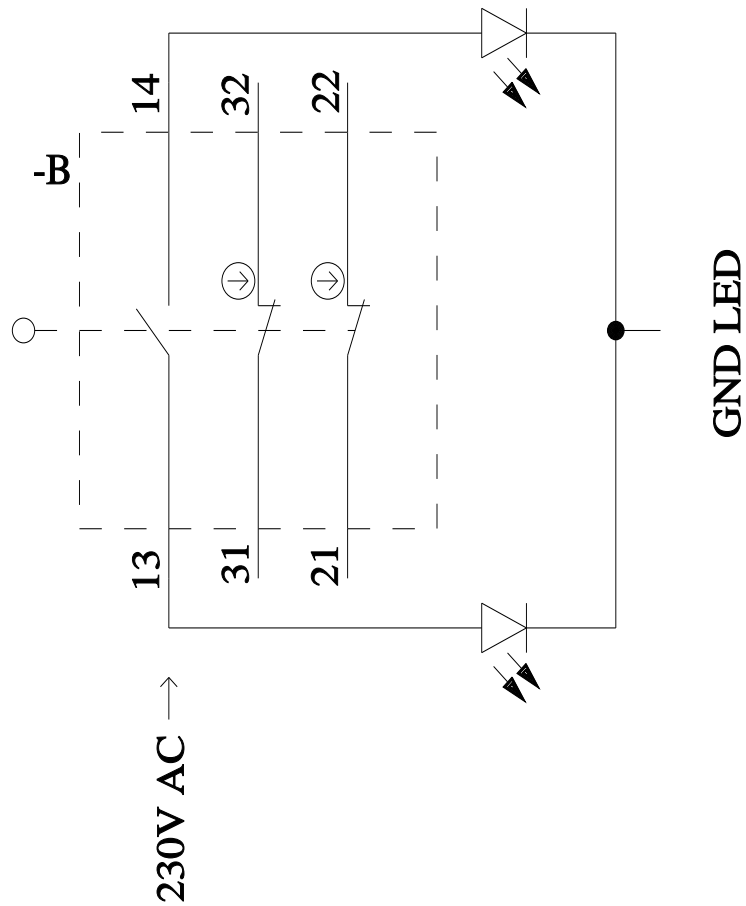
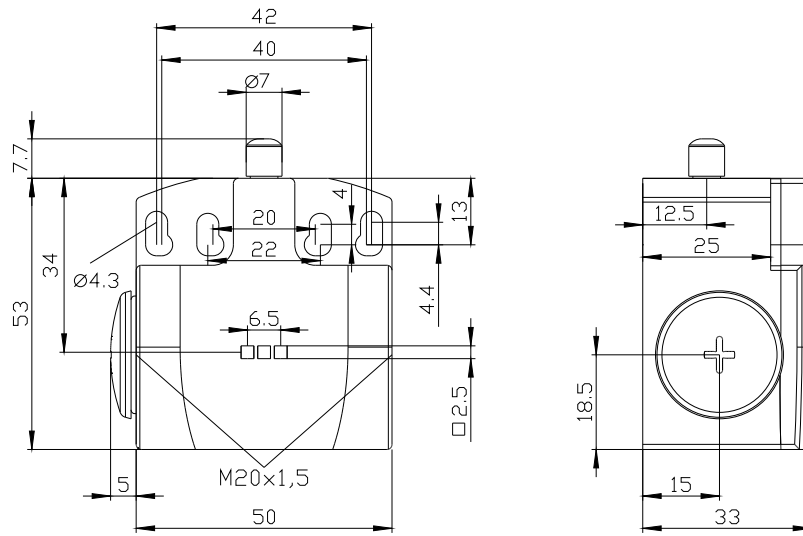


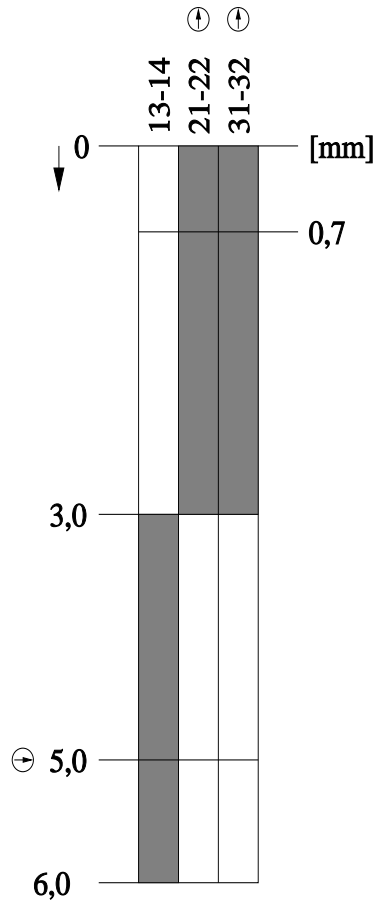
[Confirmation](#)

[Environmental Confirmations](#)

Further information

- Information on the packaging
<https://support.industry.siemens.com/cs/ww/en/view/109813875>
- Information for data generation and storage
<https://support.industry.siemens.com/cs/ww/en/view/109995012>
- Information- and Downloadcenter (Catalogs, Brochures,...)
<https://www.siemens.com/ic10>
- Industry Mall (Online ordering system)
<https://mall.industry.siemens.com/mall/en/en/Catalog/product?mlfb=3SE5242-3LC05>
- Cax online generator
<https://support.automation.siemens.com/WW/CAXorder/default.aspx?lang=en&mlfb=3SE5242-3LC05>





last modified:

4/2/2025