



Position switch Plastic enclosure open type 30 mm Metal plunger, can be equipped with all contacts

product brand name	SIRIUS
product designation	Open-type position switches
product type designation	3SE5
General technical data	
shock resistance	
• according to IEC 60068-2-27	30g / 11 ms
vibration resistance	
• according to IEC 60068-2-6	0.35 mm/5g
mechanical service life (operating cycles) typical	
• note	1000000 at 30° angle of approach
material of the enclosure of the switch head	plastic
reference code according to IEC 81346-2	B
active principle	mechanical
Substance Prohibition (Date)	07/01/2006
Weight	0.026 kg
minimum actuating force in directions of actuation	20 N
length of the sensor	59.2 mm
width of the sensor	30 mm
Ambient conditions	
ambient temperature	
• during operation	-25 ... +85 °C
• during storage	-40 ... +90 °C
explosion protection category for dust	none
Enclosure	
material of the enclosure	plastic, open-type
coating of the enclosure	Other types
design of the housing according to standard	No
Drive Head	
design of the actuating element	Rounded plunger, metal plunger
standard-compliant actuator head	EN 50047, design B
shape of the switch head	rounded
Installation/ mounting/ dimensions	
mounting position	any
fastening method	screw fixing
design of the interface for safety-related communication	without
Communication/ Protocol	
design of the interface	without
Approvals Certificates	
General Product Approval	



KC



Test Certificates

other

Environment

[Type Test Certificates/Test Report](#)

[Confirmation](#)



[Environmental Confirmations](#)

Further information

Information on the packaging

<https://support.industry.siemens.com/cs/ww/en/view/109813875>

Information for data generation and storage

<https://support.industry.siemens.com/cs/ww/en/view/109995012>

Information- and Downloadcenter (Catalogs, Brochures,...)

<https://www.siemens.com/ic10>

Industry Mall (Online ordering system)

<https://mall.industry.siemens.com/mall/en/en/Catalog/product?mlfb=3SE5250-0AC05>

Cax online generator

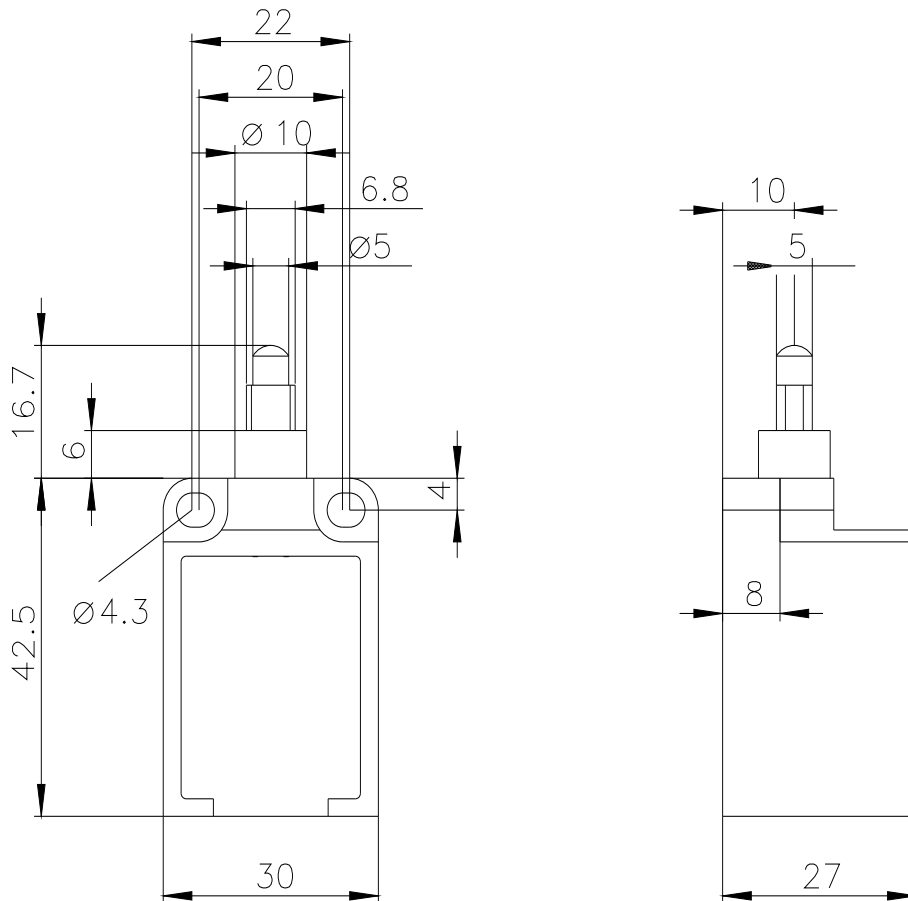
<https://support.automation.siemens.com/WW/CAXorder/default.aspx?lang=en&mlfb=3SE5250-0AC05>

Service&Support (Manuals, Certificates, Characteristics, FAQs,...)

<https://support.industry.siemens.com/cs/ww/en/ps/3SE5250-0AC05>

Image database (product images, 2D dimension drawings, 3D models, device circuit diagrams, EPLAN macros, ...)

https://www.automation.siemens.com/bilddb/cax_de.aspx?mlfb=3SE5250-0AC05&lang=en



last modified:

4/2/2025