



standard actuator for all safety switches RFID 3SE63 rectangular 91 mm x 25 mm without magnet latching

product brand name	SIRIUS
product designation	RFID safety switch
design of the product	RFID actuators
product type designation	3SE63

General technical data	
product feature	Without magnetic latching
protection class IP	IP65, IP67, IP69k
Substance Prohibitance (Date)	07/01/2006
Weight	0.061 kg
height of the sensor	22 mm
length of the sensor	91 mm
width of the sensor	25 mm
material of the active sensor area	plastic

Ambient conditions	
ambient temperature during operation	-25 ... +70 °C

Enclosure	
material of the enclosure	plastic
material of cable sheath	PVC

Installation/ mounting/ dimensions	
fastening method	screw fixing
transmission frequency rated value	125 kHz

Approvals Certificates		
General Product Approval	EMV	Functional Safety



[Type Examination Certificate](#)

other	Environment
-------	-------------



[Confirmation](#)

[Environmental Confirmations](#)

Further information

Information on the packaging
<https://support.industry.siemens.com/cs/ww/en/view/109813875>
 Information for data generation and storage

<https://support.industry.siemens.com/cs/ww/en/view/109995012>

Information- and Downloadcenter (Catalogs, Brochures,...)

<https://www.siemens.com/ic10>

Industry Mall (Online ordering system)

<https://mall.industry.siemens.com/mall/en/en/Catalog/product?mlfb=3SE6310-0BC01>

Cax online generator

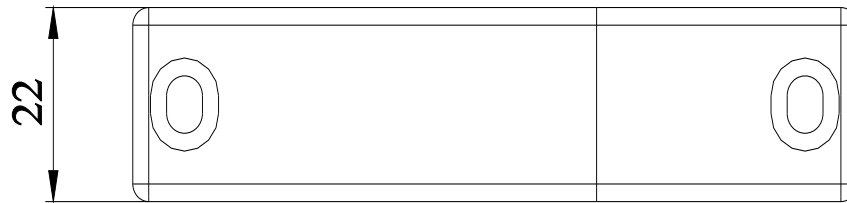
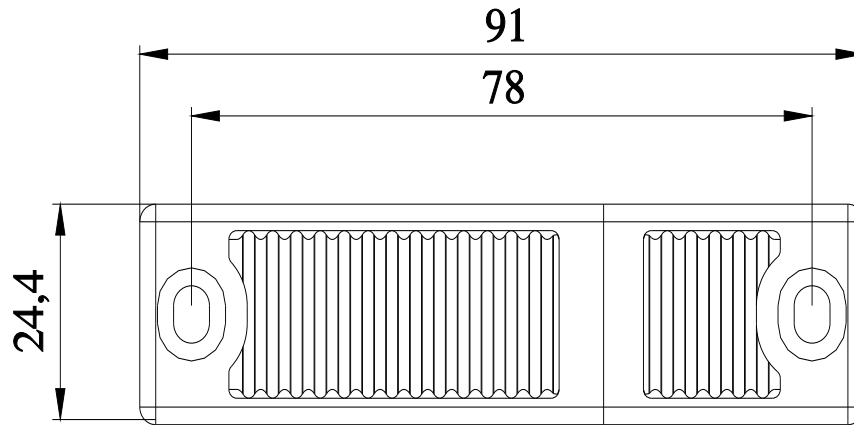
<https://support.automation.siemens.com/WW/CAXorder/default.aspx?lang=en&mlfb=3SE6310-0BC01>

Service&Support (Manuals, Certificates, Characteristics, FAQs,...)

<https://support.industry.siemens.com/cs/ww/en/ps/3SE6310-0BC01>

Image database (product images, 2D dimension drawings, 3D models, device circuit diagrams, EPLAN macros, ...)

https://www.automation.siemens.com/bilddb/cax_de.aspx?mlfb=3SE6310-0BC01&lang=en



last modified:

4/2/2025 