



contact-free safety switch RFID rectangular 106 mm x 25 mm individually encoded, single teach-in, with M12 plug 8-pole and magnet latching 18 N, order actuator separately: 3SE6310-1BC01


product brand name	SIRIUS
product designation	RFID safety switch
design of the product	Rectangular sensor unit
product type designation	3SE63
suitability for use safety-related circuits	Yes
<b>General technical data</b>	
product function	
• positive opening	No
• cross-circuit/short-circuit recognition	Yes
product feature	individually coded, learnable once, with magnet latching
type of voltage of the operating voltage	DC
protection class IP	IP65, IP67, IP69k
shock resistance according to IEC 60068-2-27	Sinusoidal half-wave 30g / 11 ms
vibration resistance according to IEC 60068-2-6	10 ... 55 Hz: 1 mm
Substance Prohibitance (Date)	07/01/2006
Weight	0.115 kg
height of the sensor	22 mm
length of the sensor	106 mm
width of the sensor	25 mm
material of the active sensor area	plastic
<b>Ambient conditions</b>	
ambient temperature during operation	-25 ... +70 °C
<b>Control circuit/ Control</b>	
type of voltage	DC
operating voltage rated value	24 V
operational current rated value	600 mA
<b>Enclosure</b>	
material of the enclosure	plastic
material of cable sheath	PVC
<b>Actuator</b>	
design of the actuating element	RFID
<b>Display</b>	
evaluation unit required	yes
<b>Contact</b>	
switching frequency	1 Hz
operating distance	12 mm
assured operating distance OFF	16 mm
assured operating distance ON	10 mm
design of the switching function	positive switching
number of switching contacts for signaling function	

• safety-related	1
<b>Installation/ mounting/ dimensions</b>	
fastening method	screw fixing
<b>Connections/ Terminals</b>	
type of electrical connection	M12 plug, 8-pole
wire length maximum	30 m
<b>Supply voltage</b>	
supply voltage	26.4 ... 20.4 V
<b>Inputs/ Outputs</b>	
output current minimum	0.5 A
output current at safety-related output maximum	0.25 A
design of the interface for safety-related communication	connector M12
transmission frequency rated value	125 kHz
<b>Safety related data</b>	
category according to EN 954-1	4
ISO 13849	
performance level (PL) according to EN ISO 13849-1	e
IEC 61508	
Safety Integrity Level (SIL) according to IEC 61508	3

<b>Approvals Certificates</b>		
General Product Approval	EMV	Functional Safety

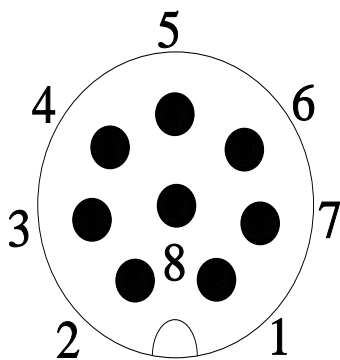
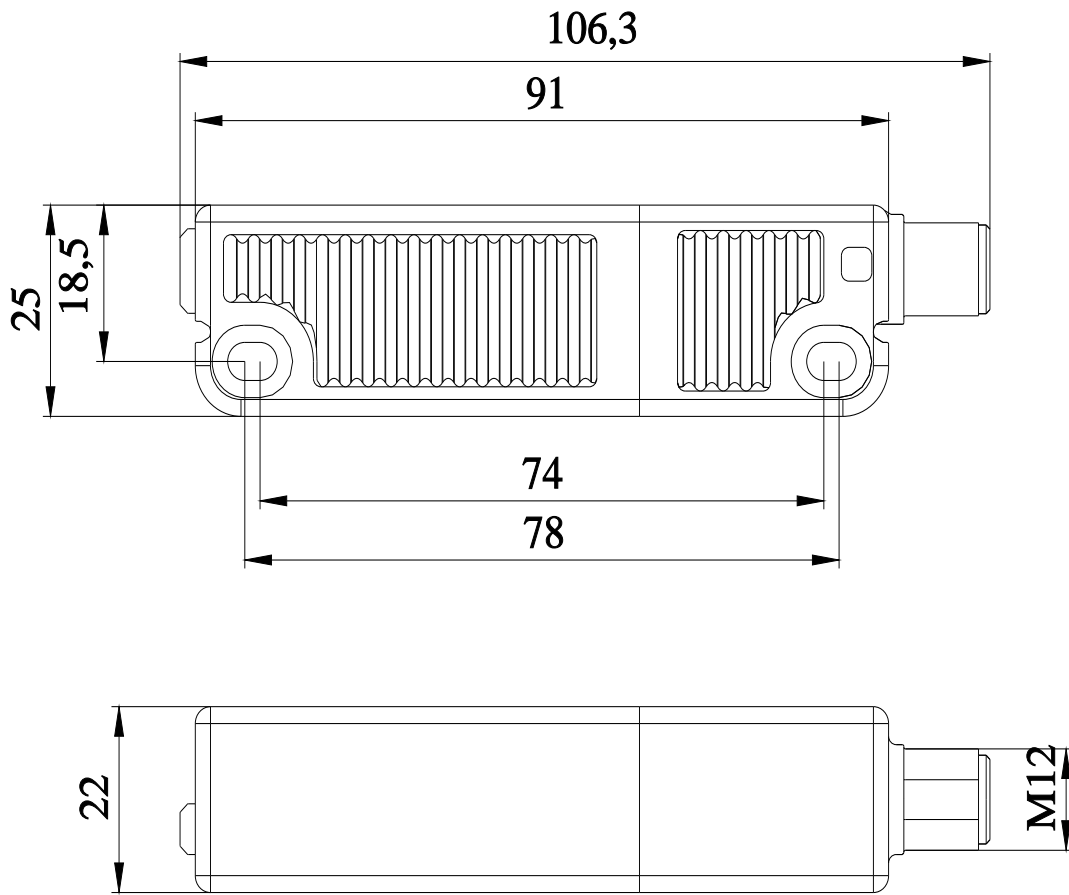


[Type Examination Certificate](#)

other	Dangerous goods	Environment
<a href="#">Confirmation</a>	 <a href="#">Dangerous goods information</a>	<a href="#">Environmental Confirmations</a>

**Further information**

- Information on the packaging  
<https://support.industry.siemens.com/cs/ww/en/view/109813875>
- Information for data generation and storage  
<https://support.industry.siemens.com/cs/ww/en/view/109995012>
- Information- and Downloadcenter (Catalogs, Brochures,...)  
<https://www.siemens.com/ic10>
- Industry Mall (Online ordering system)  
<https://mall.industry.siemens.com/mall/en/en/Catalog/product?mlfb=3SE6315-1BB03-1AP0>
- Cax online generator  
<https://support.automation.siemens.com/WW/CAXorder/default.aspx?lang=en&mlfb=3SE6315-1BB03-1AP0>
- Service&Support (Manuals, Certificates, Characteristics, FAQs,...)  
<https://support.industry.siemens.com/cs/ww/en/ps/3SE6315-1BB03-1AP0>
- Image database (product images, 2D dimension drawings, 3D models, device circuit diagrams, EPLAN macros, ...)  
[https://www.automation.siemens.com/bilddb/cax\\_de.aspx?mlfb=3SE6315-1BB03-1AP0&lang=en](https://www.automation.siemens.com/bilddb/cax_de.aspx?mlfb=3SE6315-1BB03-1AP0&lang=en)



1	WH = White	→	A1
2	BN = Brown	→	X1
3	GN = Green	→	A2
4	YE = Yellow	→	OSSD1
5	GY = Grey	→	OUT
6	PK = Pink	→	X2
7	BU = Blue	→	OSSD2
8	RD = Red	→	n. c.

