



contact block rectangular small 25 x 33 mm, 5 m cable

product brand name	SIRIUS
product designation	Magnetically operated switch
design of the product	Rectangular sensor unit
product type designation	3SE66
suitability for use safety-related circuits	Yes
<b>General technical data</b>	
product function	
• positive opening	No
• cross-circuit/short-circuit recognition	Yes
type of voltage of the operating voltage	DC
protection class IP	IP67
shock resistance according to IEC 60068-2-27	Sinusoidal half-wave 30g / 11 ms
vibration resistance according to IEC 60068-2-6	10 ... 55 Hz: 1 mm
Substance Prohibitance (Date)	07/01/2006
Weight	0.236 kg
height of the sensor	13 mm
length of the sensor	33 mm
width of the sensor	25 mm
material of the active sensor area	plastic
<b>Ambient conditions</b>	
ambient temperature during operation	-25 ... +70 °C
<b>Control circuit/ Control</b>	
type of voltage	DC
operating voltage rated value	24 V
operational current rated value	100 mA
operating power rated value	1 W
number of NC contacts for auxiliary contacts	1
number of NO contacts for auxiliary contacts	1
<b>Enclosure</b>	
design of the housing	block
material of the enclosure	plastic
material of cable sheath	PVC
<b>Actuator</b>	
design of the actuating element	magnet
<b>Display</b>	
evaluation unit required	yes
<b>Contact</b>	
circuit principle	reed switches
switching frequency	5 Hz
assured operating distance OFF	14 mm

assured operating distance ON	4 mm
design of the switching function	NC contact and NO contact
<b>Installation/ mounting/ dimensions</b>	
fastening method	screw fixing
<b>Connections/ Terminals</b>	
type of electrical connection	cable
wire length	5 m
<b>Inputs/ Outputs</b>	
type of switching output	Reed contacts
<b>Safety related data</b>	
category according to EN 954-1	4
ISO 13849	
performance level (PL) according to EN ISO 13849-1	e
IEC 61508	
Safety Integrity Level (SIL) according to IEC 61508	3

<b>Approvals Certificates</b>		
General Product Approval	EMV	Functional Safety



[Miscellaneous](#)

other	Environment
-------	-------------

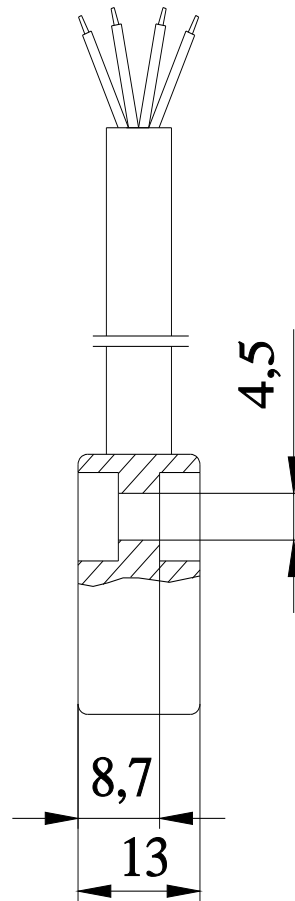
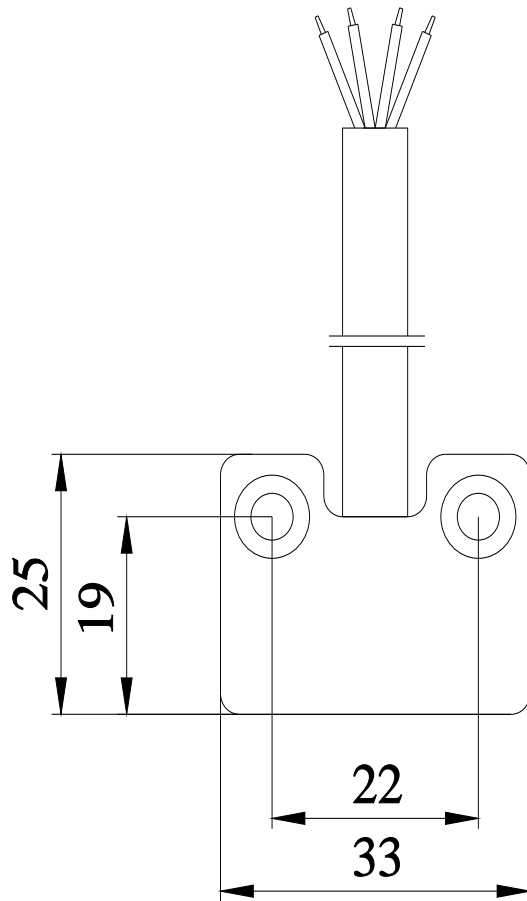


[Confirmation](#)

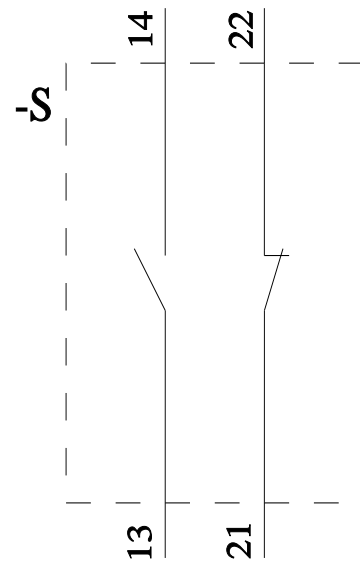
[Environmental Confirmations](#)

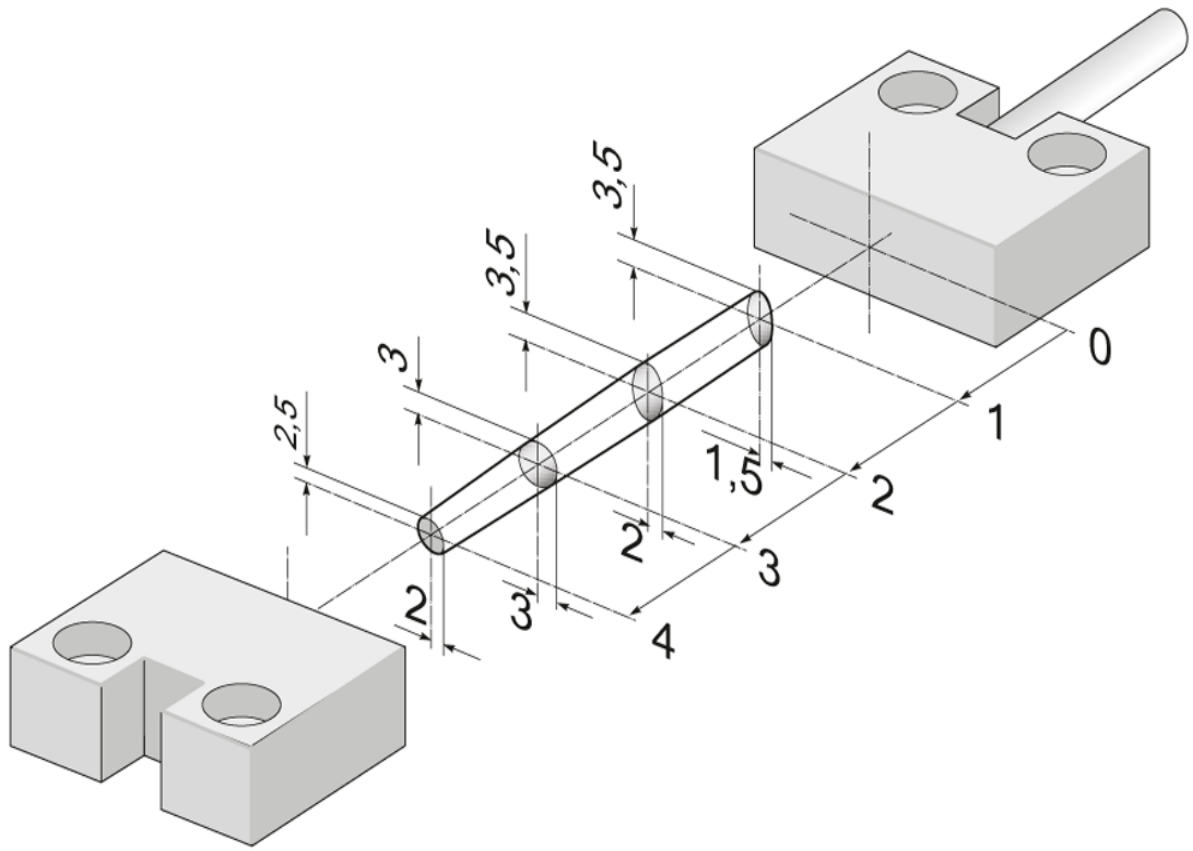
**Further information**

- Information on the packaging  
<https://support.industry.siemens.com/cs/ww/en/view/109813875>
- Information for data generation and storage  
<https://support.industry.siemens.com/cs/ww/en/view/109995012>
- Information- and Downloadcenter (Catalogs, Brochures,...)  
<https://www.siemens.com/ic10>
- Industry Mall (Online ordering system)  
<https://mall.industry.siemens.com/mall/en/en/Catalog/product?mlfb=3SE6605-3BA05>
- Cax online generator  
<https://support.automation.siemens.com/WW/CAXorder/default.aspx?lang=en&mlfb=3SE6605-3BA05>
- Service&Support (Manuals, Certificates, Characteristics, FAQs,...)  
<https://support.industry.siemens.com/cs/ww/en/ps/3SE6605-3BA05>
- Image database (product images, 2D dimension drawings, 3D models, device circuit diagrams, EPLAN macros, ...)  
[https://www.automation.siemens.com/bilddb/cax\\_de.aspx?mlfb=3SE6605-3BA05&lang=en](https://www.automation.siemens.com/bilddb/cax_de.aspx?mlfb=3SE6605-3BA05&lang=en)



<b>BK = Black</b>	→	<b>13</b>
<b>BU = Blue</b>	→	<b>14</b>
<b>WH = White</b>	→	<b>21</b>
<b>BN = Brown</b>	→	<b>22</b>





$$s_{a0} = 4 \text{ mm}$$

$$s_{ar} = 14 \text{ mm}$$

last modified:

9/6/2025 