



contact block rectangular small 25 x 33 mm, 1 NO+1 NC, 10 m cable

product brand name	SIRIUS
product designation	Magnetically operated switch
design of the product	Rectangular sensor unit
product type designation	3SE66
suitability for use safety-related circuits	Yes
General technical data	
product function	
• positive opening	No
• cross-circuit/short-circuit recognition	Yes
type of voltage of the operating voltage	DC
protection class IP	IP67
shock resistance according to IEC 60068-2-27	Sinusoidal half-wave 30g / 11 ms
vibration resistance according to IEC 60068-2-6	10 ... 55 Hz: 1 mm
Substance Prohibittance (Date)	07/01/2006
Weight	0.44 kg
height of the sensor	13 mm
length of the sensor	33 mm
width of the sensor	25 mm
material of the active sensor area	plastic
Ambient conditions	
ambient temperature during operation	-25 ... +70 °C
Control circuit/ Control	
type of voltage	DC
operating voltage rated value	24 V
operational current rated value	100 mA
operating power rated value	1 W
number of NC contacts for auxiliary contacts	1
number of NO contacts for auxiliary contacts	1
Enclosure	
design of the housing	block
material of the enclosure	plastic
material of cable sheath	PVC
Actuator	
design of the actuating element	magnet
Display	
evaluation unit required	yes
Contact	
circuit principle	reed switches
switching frequency	5 Hz

assured operating distance OFF	14 mm
assured operating distance ON	4 mm
design of the switching function	NC contact and NO contact
Installation/ mounting/ dimensions	
fastening method	screw fixing
Connections/ Terminals	
type of electrical connection	cable
wire length	10 m
Inputs/ Outputs	
type of switching output	Reed contacts
Safety related data	
category according to EN 954-1	4
ISO 13849	
performance level (PL) according to EN ISO 13849-1	e
IEC 61508	
Safety Integrity Level (SIL) according to IEC 61508	3
Approvals Certificates	
General Product Approval	Maritime application



EG-Konf.

[Confirmation](#)



VDE



DNV

other

Environment

[Confirmation](#)



[Miscellaneous](#)



[Environmental Con-
firmations](#)

[Environmental Con-
firmations](#)

Further information

Information on the packaging

<https://support.industry.siemens.com/cs/ww/en/view/109813875>

Information for data generation and storage

<https://support.industry.siemens.com/cs/ww/en/view/109995012>

Information- and Downloadcenter (Catalogs, Brochures,...)

<https://www.siemens.com/ic10>

Industry Mall (Online ordering system)

<https://mall.industry.siemens.com/mall/en/en/Catalog/product?mlfb=3SE6605-3BA10>

Cax online generator

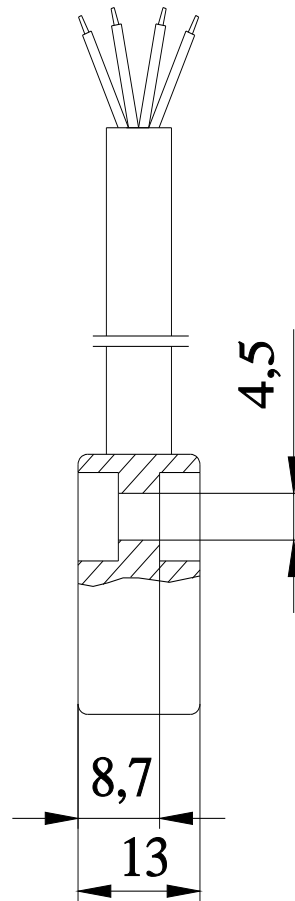
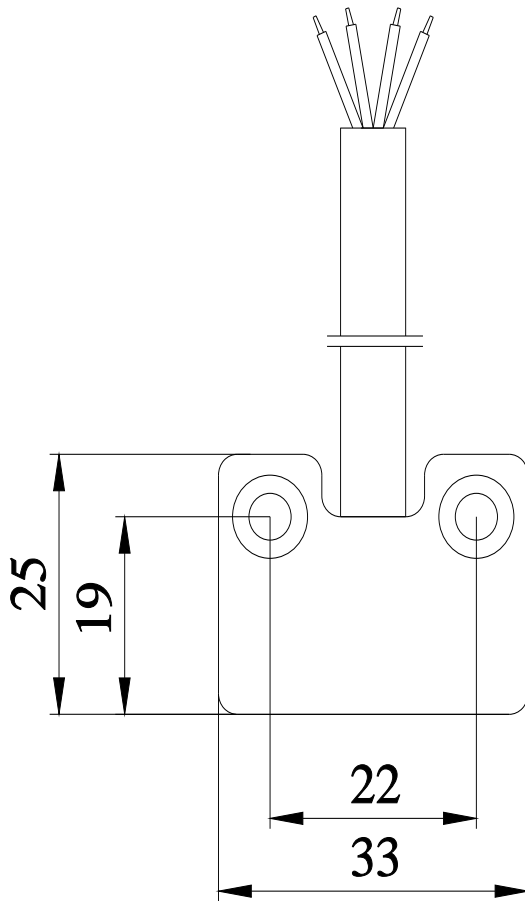
<https://support.automation.siemens.com/WW/CAXorder/default.aspx?lang=en&mlfb=3SE6605-3BA10>

Service&Support (Manuals, Certificates, Characteristics, FAQs,...)

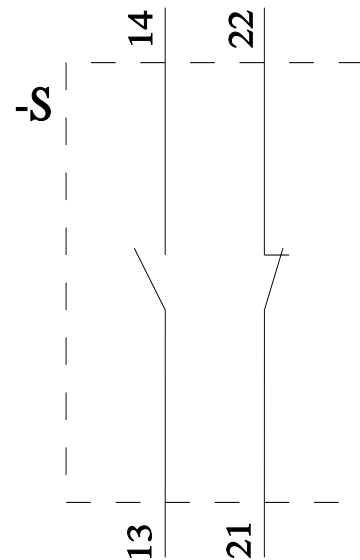
<https://support.industry.siemens.com/cs/ww/en/ps/3SE6605-3BA10>

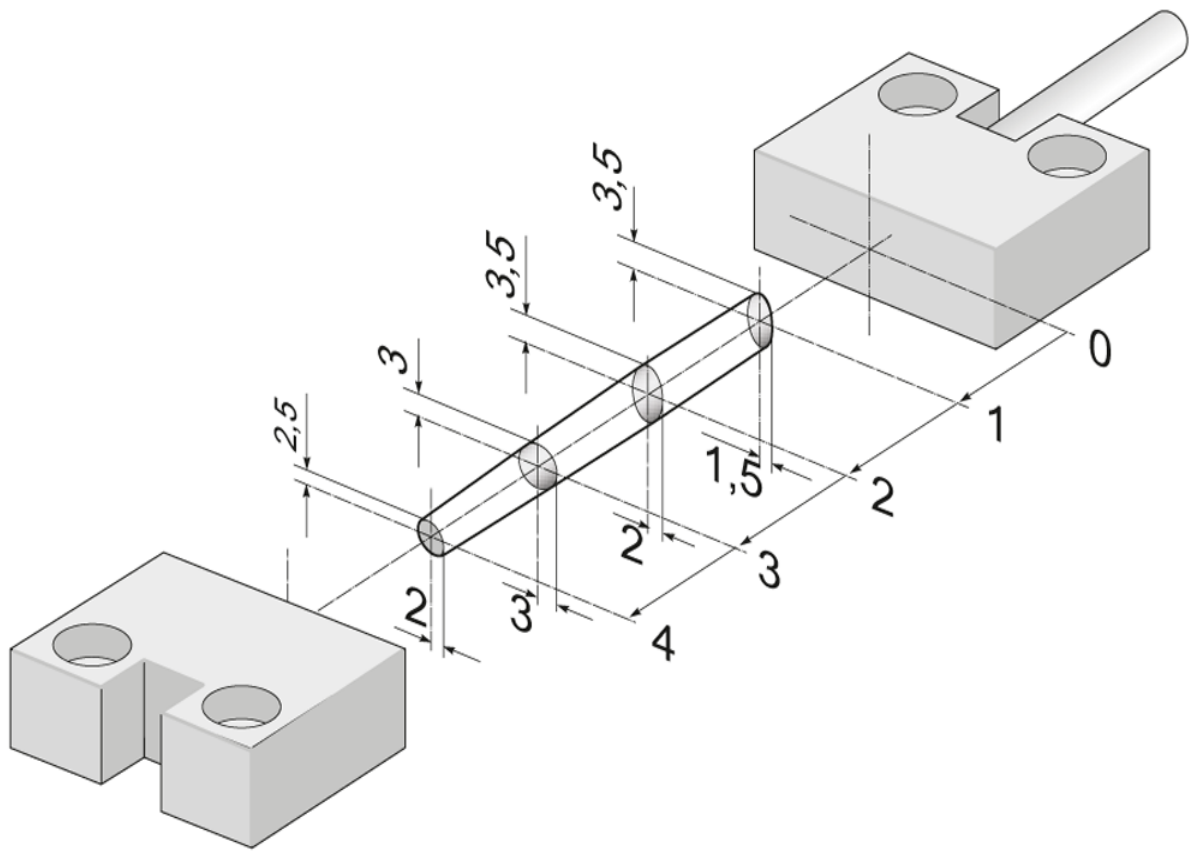
Image database (product images, 2D dimension drawings, 3D models, device circuit diagrams, EPLAN macros, ...)

https://www.automation.siemens.com/bilddb/cax_de.aspx?mlfb=3SE6605-3BA10&lang=en



BK = Black	→	13
BU = Blue	→	14
WH = White	→	21
BN = Brown	→	22





$$s_{a0} = 4 \text{ mm}$$

$$s_{ar} = 14 \text{ mm}$$

last modified:

9/6/2025 