



magnetically operated switch contact block 25 x 88 mm, 1 NO+2 NC with 3 m connection cable LIYY, 6 x 0.25 mm² required solenoid 3SE6704-2BA

product brand name	SIRIUS
product designation	Magnetically operated switch
design of the product	Rectangular sensor unit
product type designation	3SE66
suitability for use safety-related circuits	Yes
General technical data	
product function	
• positive opening	No
• cross-circuit/short-circuit recognition	Yes
type of voltage of the operating voltage	AC/DC
protection class IP	IP67
shock resistance according to IEC 60068-2-27	Sinusoidal half-wave 30g / 11 ms
vibration resistance according to IEC 60068-2-6	10 ... 55 Hz: 1 mm
reference code according to IEC 81346-2	S
Substance Prohibition (Date)	07/01/2006
Weight	0.191 kg
height of the sensor	13 mm
length of the sensor	88 mm
width of the sensor	25 mm
material of the active sensor area	Plastic, glass-fiber reinforced thermoplastic
Ambient conditions	
ambient temperature during operation	-25 ... +70 °C
Control circuit/ Control	
type of voltage	AC/DC
operating voltage rated value	100 V
operational current rated value	250 mA
operating power rated value	3 W
number of NC contacts for auxiliary contacts	2
number of NO contacts for auxiliary contacts	1
Enclosure	
design of the housing	block
material of the enclosure	Plastic, glass-fiber reinforced thermoplastic
material of cable sheath	PVC
Actuator	
design of the actuating element	magnet
Display	
evaluation unit required	yes
Contact	
circuit principle	reed switches

switching frequency	5 Hz	
assured operating distance OFF	15 mm	
assured operating distance ON	5 mm	
design of the switching function	NC contact and NO contact	
Installation/ mounting/ dimensions		
fastening method	screw fixing	
Connections/ Terminals		
type of electrical connection	cable	
wire length	3 m	
Inputs/ Outputs		
type of switching output	Reed contacts	
Safety related data		
category according to EN 954-1	4	
ISO 13849		
performance level (PL) according to EN ISO 13849-1	e	
IEC 61508		
Safety Integrity Level (SIL) according to IEC 61508	3	
Approvals Certificates		
General Product Approval	EMV	Functional Safety



[Miscellaneous](#)

other	Environment
-------	-------------



[Confirmation](#)

[Environmental Confirmations](#)

Further information

Information on the packaging

<https://support.industry.siemens.com/cs/ww/en/view/109813875>

Information for data generation and storage

<https://support.industry.siemens.com/cs/ww/en/view/109995012>

Information- and Downloadcenter (Catalogs, Brochures,...)

<https://www.siemens.com/ic10>

Industry Mall (Online ordering system)

<https://mall.industry.siemens.com/mall/en/en/Catalog/product?mlfb=3SE6606-2BA04>

Cax online generator

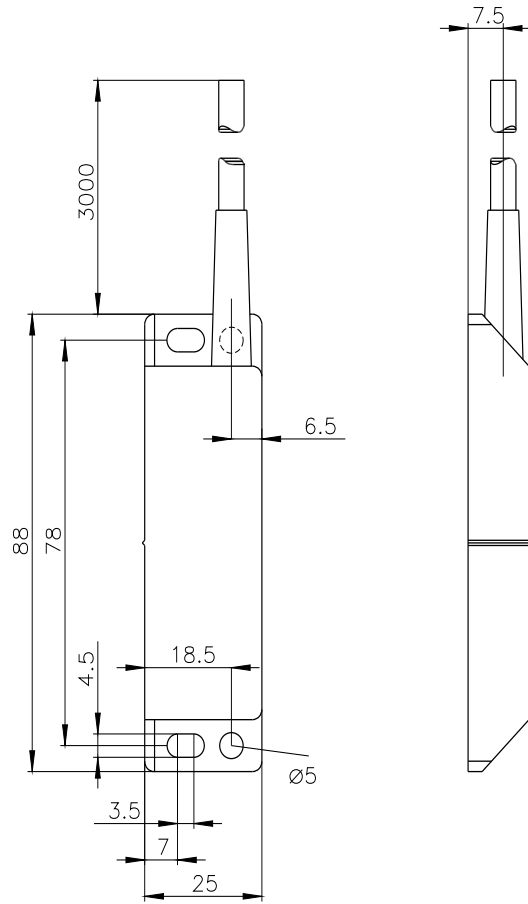
<https://support.automation.siemens.com/WW/CAXorder/default.aspx?lang=en&mlfb=3SE6606-2BA04>

Service&Support (Manuals, Certificates, Characteristics, FAQs,...)

<https://support.industry.siemens.com/cs/ww/en/ps/3SE6606-2BA04>

Image database (product images, 2D dimension drawings, 3D models, device circuit diagrams, EPLAN macros, ...)

https://www.automation.siemens.com/bilddb/cax_de.aspx?mlfb=3SE6606-2BA04&lang=en



GY = Grey	→	13
PK = Pink	→	14
GN = Green	→	21
YE = Yellow	→	22
WH = White	→	31
BN = Brown	→	32

