



magnetically operated switch contact block 25 x 88 mm, for left-hinged door, contacts: safety contacts 2 NC, signaling contact 1 NC (31-32), with 8 mm latching connection plug 6-pole, without LED, the matching solenoid 3SE6714-2CA or offset by 90° 3SE6724-2CA

<b>product brand name</b>	SIRIUS
<b>product designation</b>	Magnetically operated switch
<b>design of the product</b>	Rectangular sensor unit
<b>product type designation</b>	3SE66
suitability for use safety-related circuits	Yes
<b>General technical data</b>	
<b>product function</b>	
• positive opening	No
• control function for downstream devices	No
• cross-circuit/short-circuit recognition	Yes
type of voltage of the operating voltage	DC
<b>protection class IP</b>	IP67
<b>shock resistance according to IEC 60068-2-27</b>	Sinusoidal half-wave 30g / 11 ms
<b>vibration resistance according to IEC 60068-2-6</b>	10 ... 55 Hz: 1 mm
<b>reference code according to IEC 81346-2</b>	S
<b>Substance Prohibition (Date)</b>	07/01/2006
<b>Weight</b>	0.042 kg
<b>height of the sensor</b>	25 mm
<b>length of the sensor</b>	13 mm
<b>width of the sensor</b>	88 mm
<b>material of the active sensor area</b>	Plastic, glass-fiber reinforced thermoplastic
<b>Ambient conditions</b>	
ambient temperature during operation	-25 ... +70 °C
<b>Control circuit/ Control</b>	
<b>type of voltage</b>	DC
operating voltage rated value	30 V
<b>operational current rated value</b>	400 mA
operating power rated value	10 W
<b>number of NC contacts for auxiliary contacts</b>	3
number of NC contacts safety-related	2
<b>number of NO contacts for auxiliary contacts</b>	0
number of NO contacts safety-related	0
<b>Enclosure</b>	
<b>material of the enclosure</b>	Plastic, glass-fiber reinforced thermoplastic
<b>opening direction of the door</b>	left
<b>Actuator</b>	
<b>design of the actuating element</b>	magnet
<b>Display</b>	
evaluation unit required	yes

Contact	
switching frequency	5 Hz
assured operating distance OFF	17 mm
assured operating distance ON	7 mm
design of the switching function	NC contact
number of switching contacts for signaling function	1
• safety-related	0

Installation/ mounting/ dimensions	
fastening method	screw fixing

Connections/ Terminals	
type of electrical connection	Latching connection 8 mm, 6-pole

Inputs/ Outputs	
number of semiconductor outputs	
• for signaling function	0
• safety-related	0
number of outputs as contact-affected switching element	
• as NC contact	
— for signaling function instantaneous contact	1
— safety-related instantaneous contact	2
• as NO contact safety-related instantaneous contact	0

Safety related data	
category according to EN 954-1	4
proportion of dangerous failures	
• with low demand rate according to SN 31920	50 %
• with high demand rate according to SN 31920	50 %
<b>B10 value with high demand rate according to SN 31920</b>	12 500 000
ISO 13849	
performance level (PL) according to EN ISO 13849-1	e
IEC 61508	
Safety Integrity Level (SIL) according to IEC 61508	3
T1 value for proof test interval or service life according to IEC 61508	20 a

Approvals Certificates		
General Product Approval	EMV	Functional Safety



[Miscellaneous](#)

other	Environment
-------	-------------



[Confirmation](#)

[Environmental Confirmations](#)

### Further information

#### Information on the packaging

<https://support.industry.siemens.com/cs/ww/en/view/109813875>

#### Information for data generation and storage

<https://support.industry.siemens.com/cs/ww/en/view/109995012>

#### Information- and Downloadcenter (Catalogs, Brochures,...)

<https://www.siemens.com/ic10>

#### Industry Mall (Online ordering system)

<https://mall.industry.siemens.com/mall/en/en/Catalog/product?mlfb=3SE6617-2CA01>

#### Cax online generator

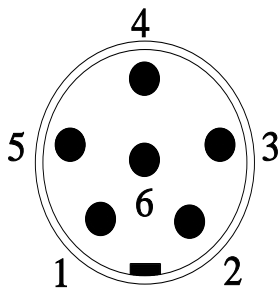
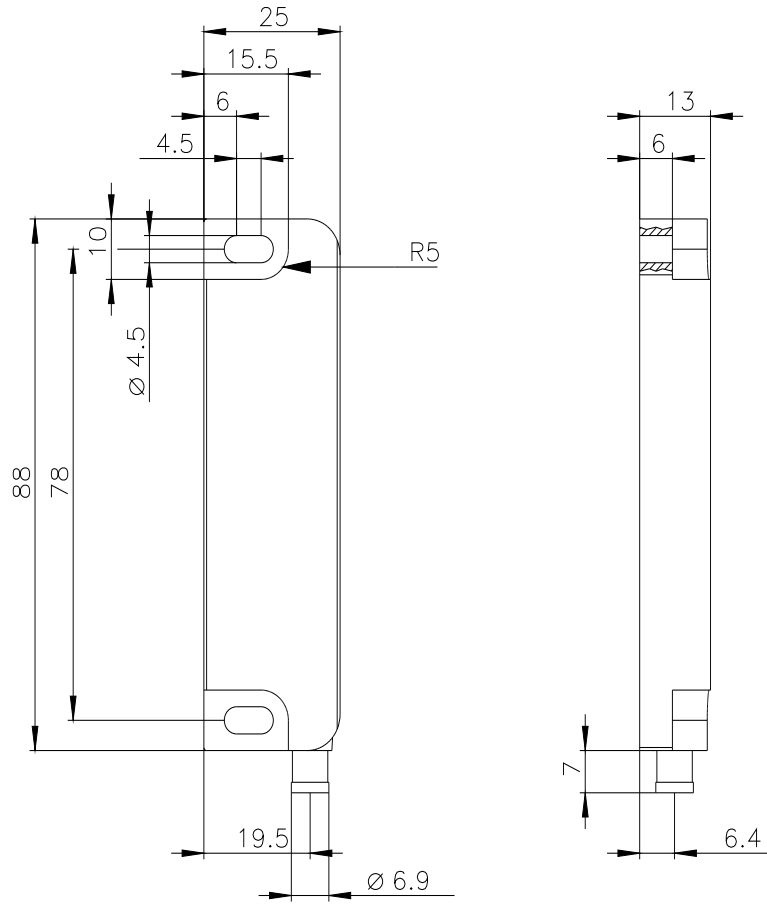
<https://support.automation.siemens.com/WW/CAXorder/default.aspx?lang=en&mlfb=3SE6617-2CA01>

#### Service&Support (Manuals, Certificates, Characteristics, FAQs,...)

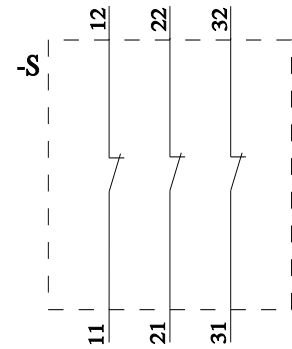
<https://support.industry.siemens.com/cs/ww/en/ps/3SE6617-2CA01>

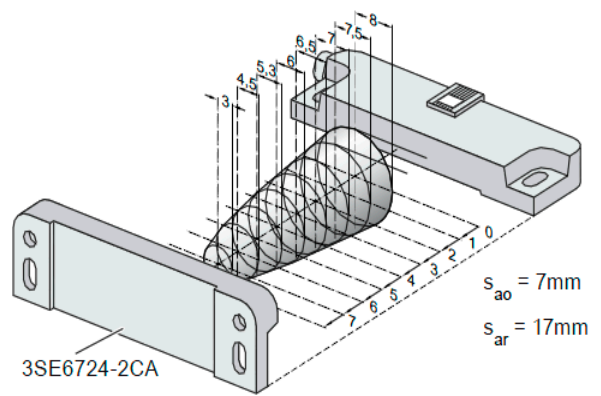
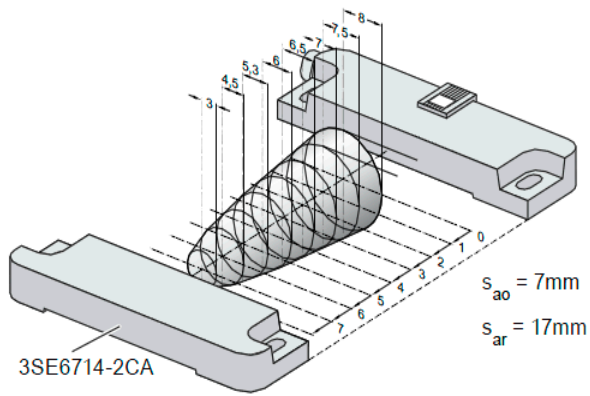
#### Image database (product images, 2D dimension drawings, 3D models, device circuit diagrams, EPLAN macros, ...)

[https://www.automation.siemens.com/bilddb/cax\\_de.aspx?mlfb=3SE6617-2CA01&lang=en](https://www.automation.siemens.com/bilddb/cax_de.aspx?mlfb=3SE6617-2CA01&lang=en)



<b>PIN 1</b>	→	<b>21</b>
<b>PIN 2</b>	→	<b>22</b>
<b>PIN 3</b>	→	<b>11</b>
<b>PIN 4</b>	→	<b>12</b>
<b>PIN 5</b>	→	<b>31</b>
<b>PIN 6</b>	→	<b>32</b>





last modified:

9/6/2025 