



magnetically operated switch contact block rectangular small 26 x 36 mm, for left-hinged door, contacts: safety contacts 2 NC, signaling contact 1 NC (31-32), with 8 mm latching connection plug 6-pole, without LED, the matching solenoid 3SE6714-3CA or offset by 90° 3SE6724-3CA

product brand name	SIRIUS
product designation	Magnetically operated switch
design of the product	Rectangular sensor unit
product type designation	3SE66
suitability for use safety-related circuits	Yes
<b>General technical data</b>	
product function	
• positive opening	No
• control function for downstream devices	No
• cross-circuit/short-circuit recognition	Yes
type of voltage of the operating voltage	DC
protection class IP	IP67
shock resistance according to IEC 60068-2-27	Sinusoidal half-wave 30g / 11 ms
vibration resistance according to IEC 60068-2-6	10 ... 55 Hz: 1 mm
reference code according to IEC 81346-2	S
Substance Prohibitance (Date)	07/01/2006
SVHC substance name	Lead - 7439-92-1 Lead monoxide (lead oxide) - 1317-36-8
Weight	0.031 kg
height of the sensor	36 mm
length of the sensor	13 mm
width of the sensor	26 mm
material of the active sensor area	Plastic, glass-fiber reinforced thermoplastic
<b>Ambient conditions</b>	
ambient temperature during operation	-25 ... +70 °C
<b>Control circuit/ Control</b>	
type of voltage	DC
operating voltage rated value	30 V
operational current rated value	400 mA
operating power rated value	10 W
number of NC contacts for auxiliary contacts	3
number of NC contacts safety-related	2
number of NO contacts for auxiliary contacts	0
number of NO contacts safety-related	0
<b>Enclosure</b>	
material of the enclosure	Plastic, glass-fiber reinforced thermoplastic
opening direction of the door	left
<b>Actuator</b>	
design of the actuating element	magnet
<b>Display</b>	

evaluation unit required	yes
<b>Contact</b>	
switching frequency	5 Hz
assured operating distance OFF	15 mm
assured operating distance ON	5 mm
design of the switching function	NC contact
number of switching contacts for signaling function	1
• safety-related	0
<b>Installation/ mounting/ dimensions</b>	
fastening method	screw fixing
<b>Connections/ Terminals</b>	
type of electrical connection	Latching connection 8 mm, 6-pole
<b>Inputs/ Outputs</b>	
number of semiconductor outputs	
• for signaling function	0
• safety-related	0
number of outputs as contact-affected switching element	
• as NC contact	
— for signaling function instantaneous contact	1
— safety-related instantaneous contact	2
• as NO contact safety-related instantaneous contact	0
<b>Safety related data</b>	
proportion of dangerous failures	
• with low demand rate according to SN 31920	50 %
• with high demand rate according to SN 31920	50 %
<b>B10 value with high demand rate according to SN 31920</b>	12 500 000
<b>ISO 13849</b>	
performance level (PL) according to EN ISO 13849-1	e
<b>IEC 61508</b>	
Safety Integrity Level (SIL) according to IEC 61508	3
T1 value for proof test interval or service life according to IEC 61508	20 a

<b>Approvals Certificates</b>		
General Product Approval	EMV	Functional Safety



[Miscellaneous](#)

other	Environment
-------	-------------



[Confirmation](#)

[Environmental Confirmations](#)

**Further information**

**Information on the packaging**

<https://support.industry.siemens.com/cs/ww/en/view/109813875>

**Information for data generation and storage**

<https://support.industry.siemens.com/cs/ww/en/view/109995012>

**Information- and Downloadcenter (Catalogs, Brochures,...)**

<https://www.siemens.com/ic10>

**Industry Mall (Online ordering system)**

<https://mall.industry.siemens.com/mall/en/en/Catalog/product?mlfb=3SE6617-3CA01>

**Cax online generator**

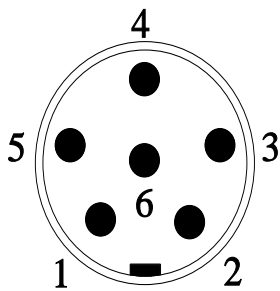
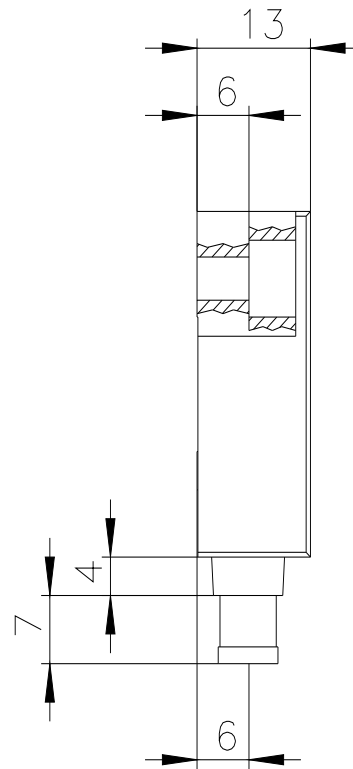
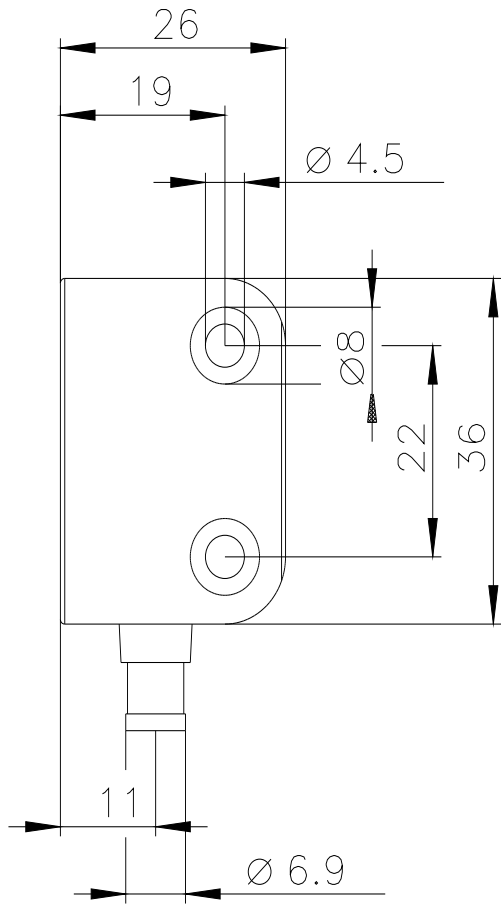
<https://support.automation.siemens.com/WW/CAXorder/default.aspx?lang=en&mlfb=3SE6617-3CA01>

**Service&Support (Manuals, Certificates, Characteristics, FAQs,...)**

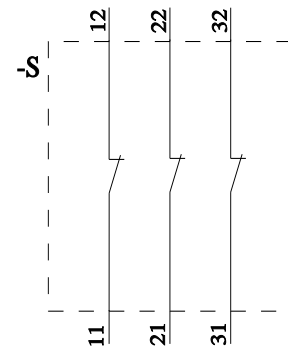
<https://support.industry.siemens.com/cs/ww/en/ps/3SE6617-3CA01>

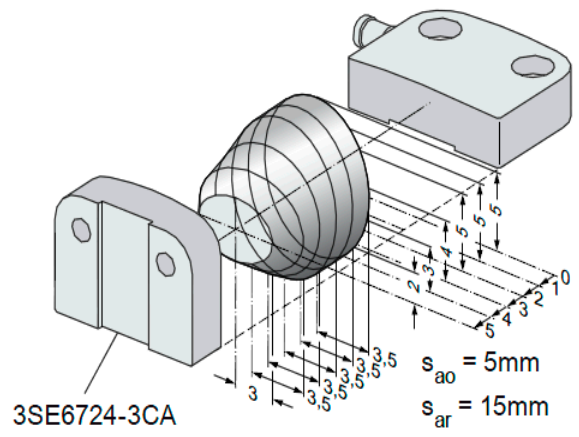
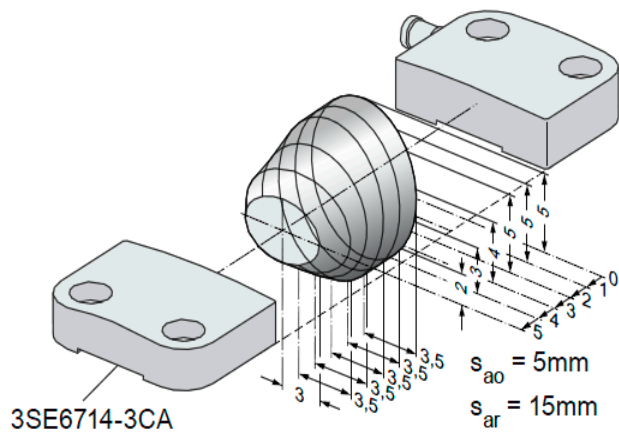
**Image database (product images, 2D dimension drawings, 3D models, device circuit diagrams, EPLAN macros, ...)**

[https://www.automation.siemens.com/bilddb/cax\\_de.aspx?mlfb=3SE6617-3CA01&lang=en](https://www.automation.siemens.com/bilddb/cax_de.aspx?mlfb=3SE6617-3CA01&lang=en)



PIN 1	→	21
PIN 2	→	22
PIN 3	→	11
PIN 4	→	12
PIN 5	→	31
PIN 6	→	32





last modified:

9/6/2025 