



Solenoid, rectangular small 26 x 36 mm for magnetic switch 3SE66...-3CA0.  
Position: offset from the contact block by 90° mounted

product brand name	SIRIUS	
product designation	Magnetically operated switch	
design of the product	coded magnet, rectangular	
product type designation	3SE67	
<b>General technical data</b>		
product feature	90° offset	
protection class IP	IP67	
Substance Prohibitance (Date)	07/01/2006	
Weight	0.031 kg	
height of the sensor	36 mm	
length of the sensor	13 mm	
width of the sensor	26 mm	
<b>Ambient conditions</b>		
ambient temperature during operation	-25 ... +70 °C	
<b>Enclosure</b>		
material of the enclosure	plastic	
<b>Installation/ mounting/ dimensions</b>		
fastening method	screw fixing	
<b>Approvals Certificates</b>		
General Product Approval	EMV	other



other	Dangerous goods	Environment
-------	-----------------	-------------

[Confirmation](#)

[Transport Information](#)

[Environmental Conformations](#)

**Further information**

Information on the packaging  
<https://support.industry.siemens.com/cs/ww/en/view/109813875>  
 Information for data generation and storage  
<https://support.industry.siemens.com/cs/ww/en/view/109995012>  
 Information- and Downloadcenter (Catalogs, Brochures,...)  
<https://www.siemens.com/ic10>  
 Industry Mall (Online ordering system)

<https://mall.industry.siemens.com/mall/en/en/Catalog/product?mlfb=3SE6724-3CA>

Cax online generator

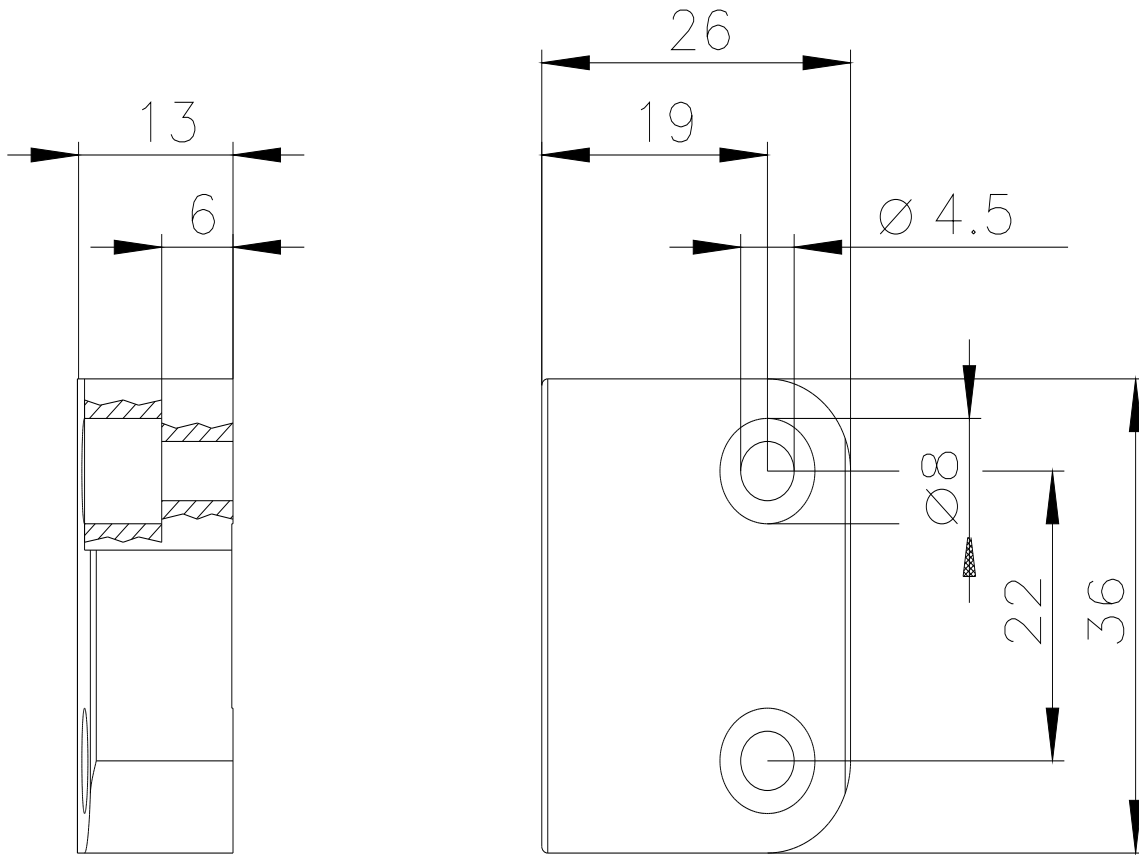
<https://support.automation.siemens.com/WW/CAXorder/default.aspx?lang=en&mlfb=3SE6724-3CA>

Service&Support (Manuals, Certificates, Characteristics, FAQs,...)

<https://support.industry.siemens.com/cs/ww/en/ps/3SE6724-3CA>

Image database (product images, 2D dimension drawings, 3D models, device circuit diagrams, EPLAN macros, ...)

[https://www.automation.siemens.com/bilddb/cax\\_de.aspx?mlfb=3SE6724-3CA&lang=en](https://www.automation.siemens.com/bilddb/cax_de.aspx?mlfb=3SE6724-3CA&lang=en)



last modified:

5/8/2025 