



cable-operated switch for 5 m cable length, spring 100 N, metal enclosure, 2x M20 x1.5; 1 NO+1 NC, without latching, only Bowden cable function, maximum actuating force 160 N

product brand name	SIRIUS
product designation	cable-operated switch
product type designation	3SE7
General technical data	
product function EMERGENCY STOP function	No
product component light source	No
insulation voltage rated value	400 V
degree of pollution	class 3
surge voltage resistance rated value	6 kV
protection class IP	IP65
mechanical service life (operating cycles) typical	1 000 000
thermal current	6 A
reference code according to IEC 81346-2	S
continuous current of the DIAZED fuse link gG	6 A
Substance Prohibitance (Date)	07/01/2006
Weight	0.433 kg
Ambient conditions	
ambient temperature during operation	-25 ... +70 °C
number of NC contacts for auxiliary contacts	1
number of NO contacts for auxiliary contacts	1
operational current at AC-15	
• at 240 V rated value	6 A
• at 400 V rated value	6 A
Enclosure	
material of the enclosure	metal
material of the enclosure cover	Plastic
product component EMERGENCY STOP device	No
color	
• of the enclosure	black
• of the enclosure top part	grey
coating of the enclosure	painted
Display	
product function status display	No
circuit principle	Jump function
material of the contact	Silver
number of switching contacts safety-related	1
cable entry type	2x M20 x 1,5
Installation/ mounting/ dimensions	
fastening method	screw fixing

height	172 mm
width	53 mm
depth	43 mm
Connections/ Terminals	
type of electrical connection	screw terminal
type of connectable conductor cross-sections	
<ul style="list-style-type: none"> • solid • finely stranded with core end processing • for AWG cables solid • for AWG cables stranded 	<ul style="list-style-type: none"> 2x (0.5 ... 2.5 mm²) 2x (0.5 ... 2.5 mm²) 2x (20 ... 14) 2x (20 ... 14)
Approvals Certificates	
General Product Approval	other



other	Environment
-------	-------------

[Confirmation](#)

[Environmental Con-
firmations](#)

Further information

Information on the packaging

<https://support.industry.siemens.com/cs/ww/en/view/109813875>

Information for data generation and storage

<https://support.industry.siemens.com/cs/ww/en/view/109995012>

Information- and Downloadcenter (Catalogs, Brochures,...)

<https://www.siemens.com/ic10>

Industry Mall (Online ordering system)

<https://mall.industry.siemens.com/mall/en/en/Catalog/product?mlfb=3SE7120-2DD01-1AS7>

Cax online generator

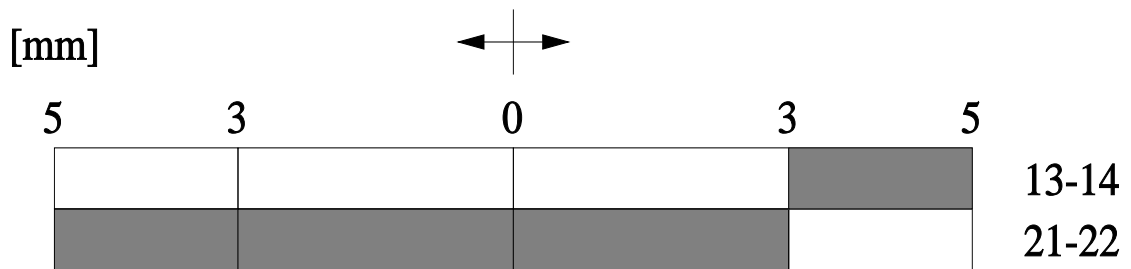
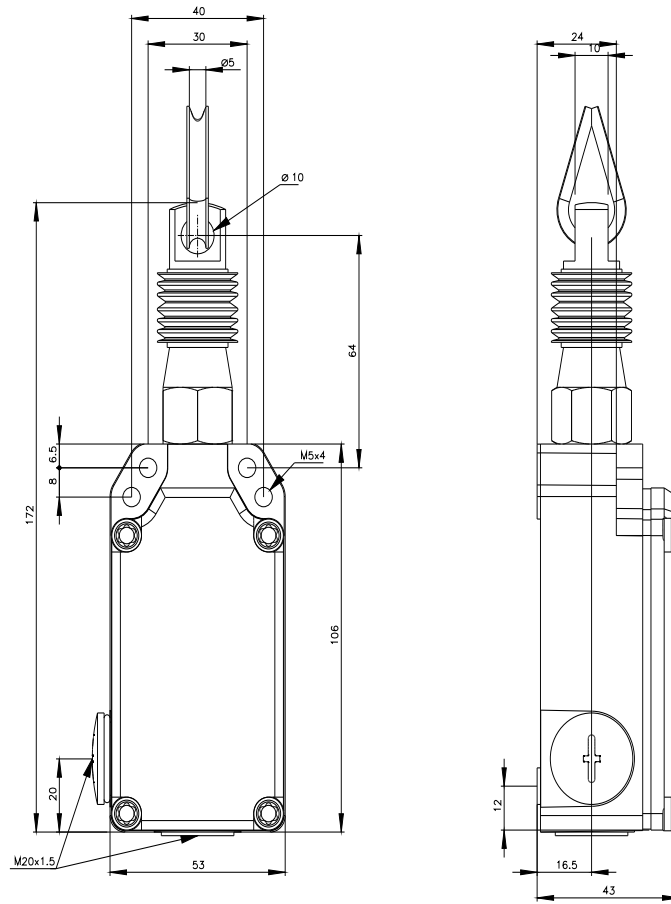
<https://support.automation.siemens.com/WW/CAXorder/default.aspx?lang=en&mlfb=3SE7120-2DD01-1AS7>

Service&Support (Manuals, Certificates, Characteristics, FAQs,...)

<https://support.industry.siemens.com/cs/ww/en/ps/3SE7120-2DD01-1AS7>

Image database (product images, 2D dimension drawings, 3D models, device circuit diagrams, EPLAN macros, ...)

https://www.automation.siemens.com/bilddb/cax_de.aspx?mlfb=3SE7120-2DD01-1AS7&lang=en



➔ **Betätigungsrichtung / Travel**

Schaltglied geschlossen / Contact element closed

Schaltglied geöffnet / Contact element open

