



safety cable-operated switch metal enclosure, 2 xM20x1.5; with yellow cover with latching according to EN ISO 13850 button reset, with LED lamp 24 V DC, red, for wire lengths up to 20 m

product brand name	SIRIUS
product designation	cable-operated switch
product type designation	3SE7
General technical data	
product function EMERGENCY STOP function	Yes
product component light source	Yes
insulation voltage rated value	250 V
degree of pollution	class 3
surge voltage resistance rated value	6 kV
protection class IP	IP65
mechanical service life (operating cycles) typical	100 000
thermal current	2 A
reference code according to IEC 81346-2	S
continuous current of the DIAZED fuse link gG	2 A
Substance Prohibitance (Date)	07/01/2006
Weight	0.44 kg
Ambient conditions	
ambient temperature during operation	-25 ... +70 °C
number of NC contacts for auxiliary contacts	2
number of NO contacts for auxiliary contacts	1
operational current at AC-15	
• at 240 V rated value	2 A
operational current at DC-13	
• at 24 V rated value	3 A
• at 250 V rated value	0.27 A
Enclosure	
material of the enclosure	metal
material of the enclosure cover	Plastic
product component EMERGENCY STOP device	No
color	
• of the enclosure	black
• of the enclosure top part	yellow
coating of the enclosure	painted
Display	
product function status display	Yes
Lamp	
color of the light source	red
circuit principle	Jump function
material of the contact	Silver
number of switching contacts safety-related	2

cable entry type	2x M20 x 1,5
Installation/ mounting/ dimensions	
fastening method	screw fixing
height	171 mm
width	52 mm
depth	74 mm
Connections/ Terminals	
type of electrical connection	screw terminal
type of connectable conductor cross-sections	
<ul style="list-style-type: none"> • solid • finely stranded with core end processing • for AWG cables solid • for AWG cables stranded 	<ul style="list-style-type: none"> 2x (0.5 ... 2.5 mm²) 2x (0.5 ... 2.5 mm²) 2x (20 ... 14) 2x (20 ... 14)
Supply voltage	
type of voltage of the supply voltage of the light source	DC
supply voltage 1 of the light source at DC rated value	24 V
relative negative tolerance of the supply voltage	-15 %
relative positive tolerance of the supply voltage	10 %
Safety related data	
proportion of dangerous failures with high demand rate according to SN 31920	50 %
B10 value with high demand rate according to SN 31920	100 000
Approvals Certificates	
General Product Approval	other



[Confirmation](#)

Environment

[Environmental Confirmations](#)

Further information

Information on the packaging

<https://support.industry.siemens.com/cs/ww/en/view/109813875>

Information for data generation and storage

<https://support.industry.siemens.com/cs/ww/en/view/109995012>

Information- and Downloadcenter (Catalogs, Brochures,...)

<https://www.siemens.com/ic10>

Industry Mall (Online ordering system)

<https://mall.industry.siemens.com/mall/en/en/Catalog/product?mlfb=3SE7150-1BH04>

Cax online generator

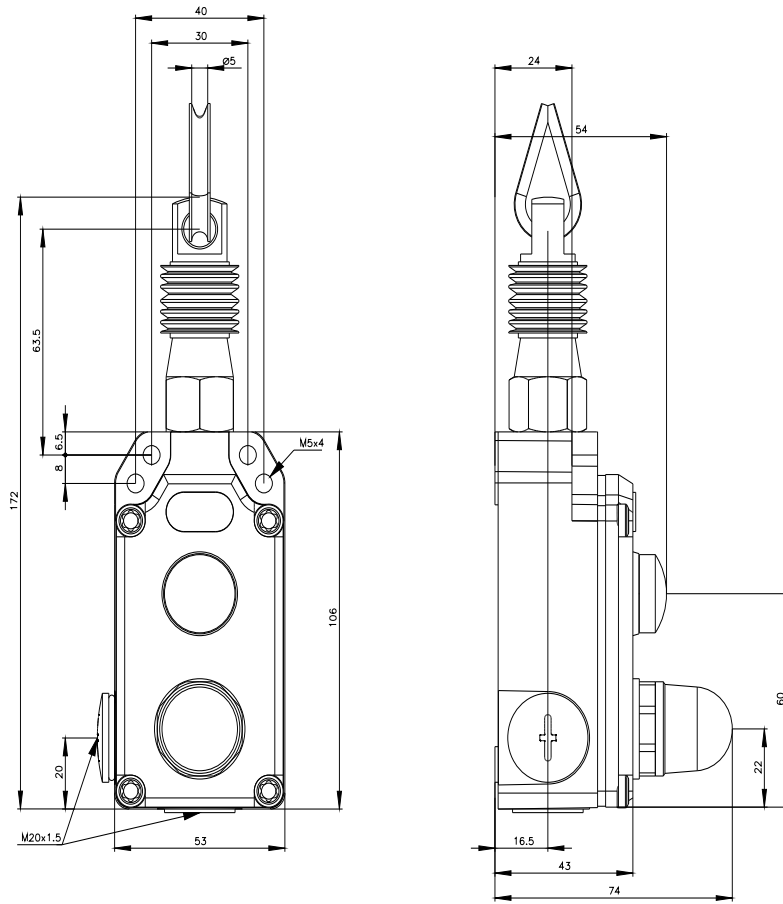
<https://support.automation.siemens.com/WW/CAXorder/default.aspx?lang=en&mlfb=3SE7150-1BH04>

Service&Support (Manuals, Certificates, Characteristics, FAQs,...)

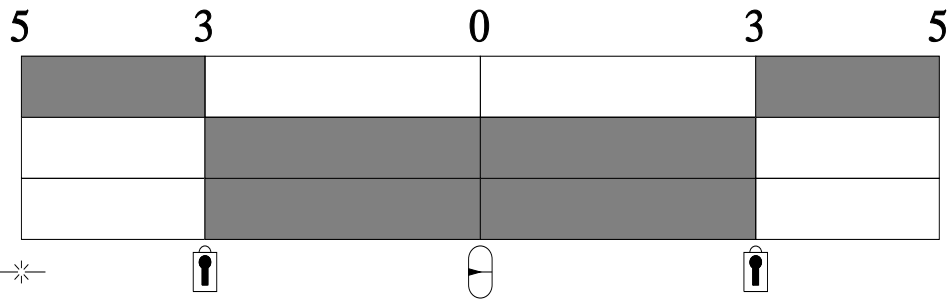
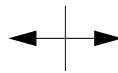
<https://support.industry.siemens.com/cs/ww/en/ps/3SE7150-1BH04>

Image database (product images, 2D dimension drawings, 3D models, device circuit diagrams, EPLAN macros, ...)

https://www.automation.siemens.com/bilddb/cax_de.aspx?mlfb=3SE7150-1BH04&lang=en



[mm]



🔒 Verriegelung / Locking

➡ Betätigungsrichtung / Travel

⊖ Mittelstellung / Middle position

✱ Seilriss / Rope rip

■ Schaltglied geschlossen / Contact element closed

□ Schaltglied geöffnet / Contact element open

