



Cable-operated switch and lever Metal enclosure, 2 x M25 x 1.5; 1 NO+1 NC, latching EN ISO 13850 and pushbutton release, 2-sided operation, for wire lengths up to 2 x 100 m

<b>product brand name</b>	SIRIUS
<b>product designation</b>	cable-operated switch
<b>product type designation</b>	3SE7
<b>General technical data</b>	
product function EMERGENCY STOP function	Yes
product component light source	No
<b>insulation voltage rated value</b>	400 V
<b>degree of pollution</b>	class 3
<b>surge voltage resistance rated value</b>	6 kV
<b>protection class IP</b>	IP65
<b>mechanical service life (operating cycles) typical</b>	100 000
<b>thermal current</b>	6 A
<b>reference code according to IEC 81346-2</b>	S
<b>continuous current of the DIAZED fuse link gG</b>	6 A
<b>Substance Prohibitance (Date)</b>	07/01/2006
<b>SVHC substance name</b>	Lead - 7439-92-1
<b>Weight</b>	0.889 kg
<b>Ambient conditions</b>	
ambient temperature during operation	-25 ... +70 °C
<b>number of NC contacts for auxiliary contacts</b>	1
<b>number of NO contacts for auxiliary contacts</b>	1
<b>operational current at AC-15</b>	
• at 240 V rated value	6 A
• at 400 V rated value	6 A
<b>operational current at DC-13</b>	
• at 24 V rated value	3 A
• at 250 V rated value	0.27 A
<b>Enclosure</b>	
<b>material of the enclosure</b>	metal
<b>material of the enclosure cover</b>	Plastic
product component EMERGENCY STOP device	No
<b>color</b>	
• of the enclosure	black
• of the enclosure top part	grey
<b>coating of the enclosure</b>	painted
<b>Display</b>	
<b>product function status display</b>	No
<b>circuit principle</b>	Jump function
<b>material of the contact</b>	Silver
<b>number of switching contacts safety-related</b>	1

<b>cable entry type</b>	2x M25 x 1,5
<b>Installation/ mounting/ dimensions</b>	
<b>fastening method</b>	screw fixing
<b>height</b>	105 mm
<b>width</b>	131 mm
<b>depth</b>	75 mm
<b>Connections/ Terminals</b>	
<b>type of electrical connection</b>	screw terminal
<b>type of connectable conductor cross-sections</b>	
<ul style="list-style-type: none"> <li>• solid</li> <li>• finely stranded with core end processing</li> <li>• for AWG cables solid</li> <li>• for AWG cables stranded</li> </ul>	<ul style="list-style-type: none"> <li>2x (0.5 ... 2.5 mm<sup>2</sup>)</li> <li>2x (0.5 ... 2.5 mm<sup>2</sup>)</li> <li>2x (20 ... 14)</li> <li>2x (20 ... 14)</li> </ul>
<b>Safety related data</b>	
proportion of dangerous failures with high demand rate according to SN 31920	50 %
<b>B10 value with high demand rate according to SN 31920</b>	100 000
<b>Approvals Certificates</b>	
<b>General Product Approval</b>	<b>other</b>



[Confirmation](#)

#### Environment

[Environmental Confirmations](#)

#### Further information

##### Information on the packaging

<https://support.industry.siemens.com/cs/ww/en/view/109813875>

##### Information for data generation and storage

<https://support.industry.siemens.com/cs/ww/en/view/109995012>

##### Information- and Downloadcenter (Catalogs, Brochures,...)

<https://www.siemens.com/ic10>

##### Industry Mall (Online ordering system)

<https://mall.industry.siemens.com/mall/en/en/Catalog/product?mlfb=3SE7160-1BD00>

##### Cax online generator

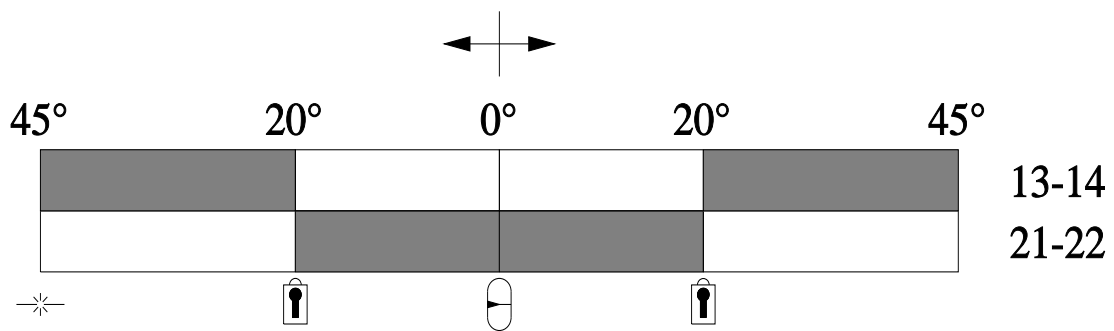
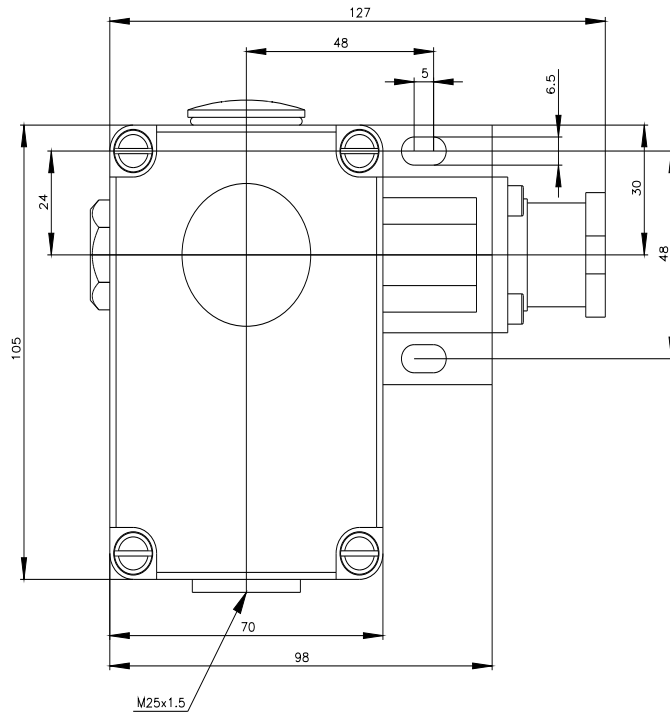
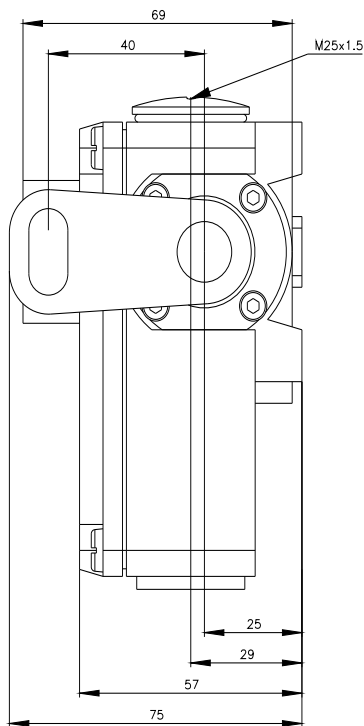
<https://support.automation.siemens.com/WW/CAXorder/default.aspx?lang=en&mlfb=3SE7160-1BD00>

##### Service&Support (Manuals, Certificates, Characteristics, FAQs,...)

<https://support.industry.siemens.com/cs/ww/en/ps/3SE7160-1BD00>


##### Image database (product images, 2D dimension drawings, 3D models, device circuit diagrams, EPLAN macros, ...)

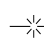
[https://www.automation.siemens.com/bilddb/cax\\_de.aspx?mlfb=3SE7160-1BD00&lang=en](https://www.automation.siemens.com/bilddb/cax_de.aspx?mlfb=3SE7160-1BD00&lang=en)



 Verriegelung / Locking

 Betätigungsrichtung / Travel

 Mittelstellung / Middle position

 Seilriss / Rope rip

 Schaltglied geschlossen / Contact element closed

 Schaltglied geöffnet / Contact element open

