



Rope eye 3 mm, made of steel Packaging as set (4 units)

product brand name	SIRIUS
product category	Miscellaneous accessories
product designation	Cable eye
product type designation	3SE79

General technical data	
Substance Prohibitance (Date)	07/01/2006
Weight	0.006 kg

Approvals Certificates		
General Product Approval	other	Environment

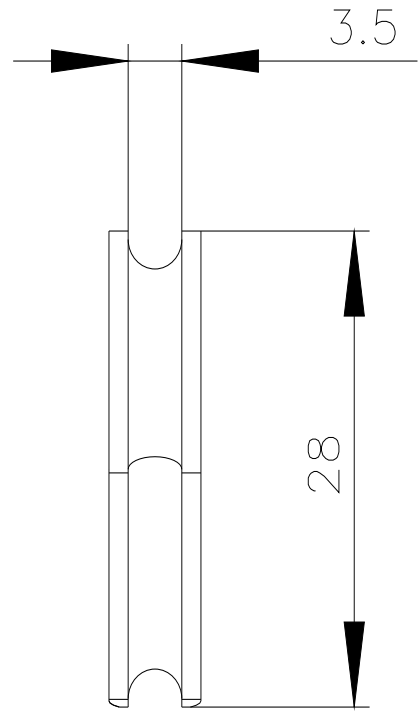
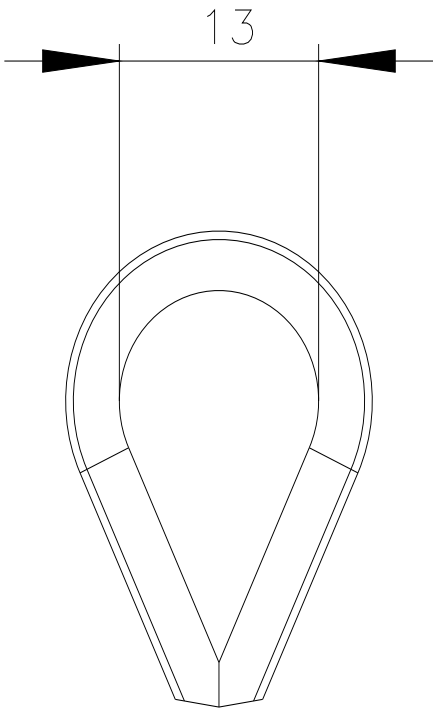


[Confirmation](#)

[Environmental Confirmations](#)

Further information

- Information on the packaging
<https://support.industry.siemens.com/cs/ww/en/view/109813875>
- Information for data generation and storage
<https://support.industry.siemens.com/cs/ww/en/view/109995012>
- Information- and Downloadcenter (Catalogs, Brochures,...)
<https://www.siemens.com/ic10>
- Industry Mall (Online ordering system)
<https://mall.industry.siemens.com/mall/en/en/Catalog/product?mlfb=3SE7930-1AC>
- Cax online generator
<https://support.automation.siemens.com/WW/CAXorder/default.aspx?lang=en&mlfb=3SE7930-1AC>
- Service&Support (Manuals, Certificates, Characteristics, FAQs,...)
<https://support.industry.siemens.com/cs/ww/en/ps/3SE7930-1AC>
- Image database (product images, 2D dimension drawings, 3D models, device circuit diagrams, EPLAN macros, ...)
https://www.automation.siemens.com/bilddb/cax_de.aspx?mlfb=3SE7930-1AC&lang=en



last modified:

10/22/2025 