



Basic switch without actuator head Metal enclosure, 56 mm wide ASIsafe integrated AS-i status: 1:F-IN1, 2: F-IN2 3:AS-i/FAULT Slow-action contacts 1 NC with M12 connector 4-pole Channel 1 to NC, Channel 2 to M12 socket on the right

product brand name	SIRIUS
product designation	Mechanical safety switches
product type designation	3SF11
manufacturer's article number	
• of the supplied basic switch	<a href="#">3SF1124-1KA00-1BA2</a>
suitability for use safety switch	Yes
<b>General technical data</b>	
product function positive opening	Yes
insulation voltage rated value	30 V
degree of pollution	class 3
surge voltage resistance rated value	0.8 kV
shock resistance according to IEC 60068-2-27	30g / 11 ms
vibration resistance according to IEC 60068-2-6	0.35 mm/5g
mechanical service life (operating cycles) typical	15 000 000
reference code according to IEC 81346-2	B
active principle	mechanical
repeat accuracy	0.1 mm
Substance Prohibitance (Date)	03/01/2017
SVHC substance name	Lead - 7439-92-1 Lead monoxide (lead oxide) - 1317-36-8 6,6'-di-tert-butyl-2,2'-methylenedi-p-cresol - 119-47-1 Imidazolidine-2-thione (2-imidazoline-2-thiol) - 96-45-7 Diboron trioxide - 1303-86-2
Weight	0.433 kg
length of the sensor	99.7 mm
width of the sensor	56 mm
<b>Ambient conditions</b>	
ambient temperature	
• during operation	-25 ... +60 °C
• during storage	-40 ... +80 °C
design of the switching contact	mechanical
number of NC contacts for auxiliary contacts	2
number of NO contacts for auxiliary contacts	0
<b>Enclosure</b>	
design of the housing	block, wide
material of the enclosure	metal
coating of the enclosure	cathodic dip coating
design of the housing according to standard	No
<b>Drive Head</b>	
design of the switching function	positive opening
circuit principle	slow-action contacts

number of switching contacts safety-related	1	
<b>design of plug-in connection</b>	M12 plug, 4-pole: Pin 1 = ASI+ , Pin 2 = not assigned, Pin 3= ASI-, Pin 4 = not assigned	
<b>Installation/ mounting/ dimensions</b>		
mounting position	any	
fastening method	screw fixing	
<b>Connections/ Terminals</b>		
type of electrical connection	plug M12	
<b>Supply voltage</b>		
type of voltage of the supply voltage of the optional LED display	DC	
supply voltage of LED	24 V	
design of the interface for safety-related communication	ASIsafe via M12 plug, channel 2 looped through to M12 socket on the right	
<b>Approvals Certificates</b>		
General Product Approval	Test Certificates	other



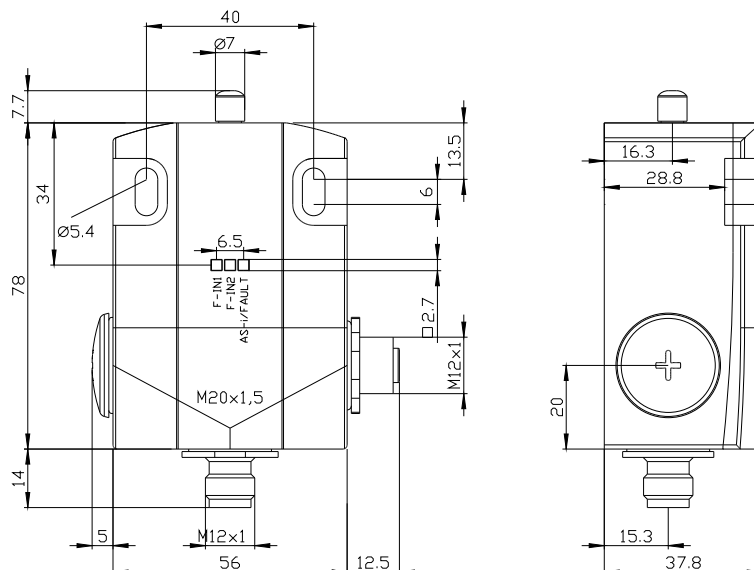
[Type Test Certificates/Test Report](#)

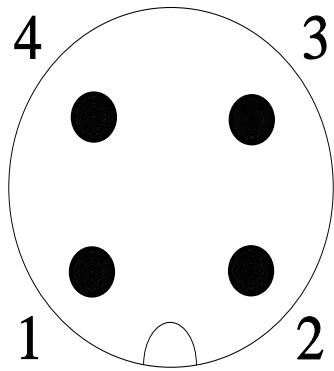


other	Environment
<a href="#">Confirmation</a>	<a href="#">Miscellaneous</a>
	<a href="#">Environmental Conformations</a>

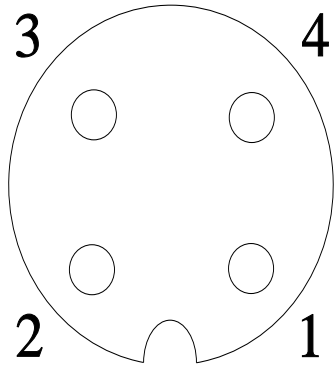
**Further information**

- Information on the packaging  
<https://support.industry.siemens.com/cs/ww/en/view/109813875>
- Information for data generation and storage  
<https://support.industry.siemens.com/cs/ww/en/view/109995012>
- Information- and Downloadcenter (Catalogs, Brochures,...)  
<https://www.siemens.com/ic10>
- Industry Mall (Online ordering system)  
<https://mall.industry.siemens.com/mall/en/en/Catalog/product?mlfb=3SF1124-1KA00-1BA2>
- Cax online generator  
<https://support.automation.siemens.com/WW/CAXorder/default.aspx?lang=en&mlfb=3SF1124-1KA00-1BA2>
- Service&Support (Manuals, Certificates, Characteristics, FAQs,...)  
<https://support.industry.siemens.com/cs/ww/en/ps/3SF1124-1KA00-1BA2>
- Image database (product images, 2D dimension drawings, 3D models, device circuit diagrams, EPLAN macros, ...)  
[https://www.automation.siemens.com/bilddb/cax\\_de.aspx?mlfb=3SF1124-1KA00-1BA2&lang=en](https://www.automation.siemens.com/bilddb/cax_de.aspx?mlfb=3SF1124-1KA00-1BA2&lang=en)





1	→	ASI +
2	→	n. c.
3	→	ASI -
4	→	n. c.



1	→	Ch 2
2	→	Ch 2
3	→	n. c.
4	→	n. c.

last modified:

4/2/2025