



Safety position switch with separate actuator 5 directions of approaches Metal enclosure, 56 mm wide ASIsafe integrated AS-i status: 1:F-IN1, 2: F-IN2 3:AS-i/FAULT Slow-action contacts 1 NC with M12 connector 4-pole Channel 1 to NC, Channel 2 to M12 socket on the right

|  |  |
|--|--|
| product brand name   | SIRIUS   |
| product designation  | Mechanical safety switches   |
| product type designation   | 3SF11  |
| manufacturer's article number  |  |
| <ul style="list-style-type: none"> <li>of the optional actuators</li> </ul>                | 3SE5000-0AV01 standard actuator, 3SE5000-0AV02 actuator with vertical fixing, 3SE5000-0AV03 actuator with transverse fixing, 3SE5000-0AV04 radius actuator left, 3SE5000-0AV05 universal actuator, 3SE5000-0AV06 radius actuator right |
| suitability for use safety switch  | Yes  |
| <b>General technical data</b>  |  |
| product function positive opening  | Yes  |
| insulation voltage rated value   | 30 V   |
| degree of pollution  | class 3  |
| surge voltage resistance rated value   | 0.8 kV   |
| shock resistance according to IEC 60068-2-27   | 30g / 11 ms  |
| vibration resistance according to IEC 60068-2-6  | 0.35 mm/5g   |
| mechanical service life (operating cycles) typical   | 1 000 000  |
| material of the enclosure of the switch head   | metal enclosure  |
| reference code according to IEC 81346-2  | B  |
| active principle   | mechanical   |
| repeat accuracy  | 0.1 mm   |
| Substance Prohibitance (Date)  | 03/01/2017   |
| SVHC substance name  | Lead - 7439-92-1<br>Lead monoxide (lead oxide) - 1317-36-8<br>6,6'-di-tert-butyl-2,2'-methylenedi-p-cresol - 119-47-1<br>Imidazolidine-2-thione (2-imidazoline-2-thiol) - 96-45-7<br>Diboron trioxide - 1303-86-2                      |
| Weight   | 0.578 kg   |
| minimum actuating force in directions of actuation   | 10 N   |
| length of the sensor   | 124 mm   |
| width of the sensor  | 56 mm  |
| <b>Ambient conditions</b>  |  |
| ambient temperature  |  |
| <ul style="list-style-type: none"> <li>during operation</li> <li>during storage</li> </ul> | -25 ... +60 °C<br>-40 ... +80 °C   |
| design of the switching contact  | mechanical   |
| number of NC contacts for auxiliary contacts   | 2  |
| number of NO contacts for auxiliary contacts   | 0  |
| <b>Enclosure</b>   |  |
| design of the housing  | block, wide  |
| material of the enclosure  | metal  |
| coating of the enclosure   | cathodic dip coating   |

|   |  |
|---|--|
| design of the housing according to standard                       | No   |
| <b>Drive Head</b>   |  |
| design of the actuating element                                   | without  |
| design of the switching function                                  | positive opening   |
| circuit principle   | slow-action contacts   |
| number of switching contacts safety-related                       | 1  |
| design of plug-in connection                                      | M12 plug, 4-pole: Pin 1 = ASI+ , Pin 2 = not assigned, Pin 3= ASI-, Pin 4 = not assigned |
| <b>Installation/ mounting/ dimensions</b>                         |  |
| mounting position   | any  |
| fastening method  | screw fixing   |
| <b>Connections/ Terminals</b>                                     |  |
| type of electrical connection                                     | plug M12   |
| <b>Supply voltage</b>   |  |
| type of voltage of the supply voltage of the optional LED display | DC   |
| supply voltage of LED   | 24 V   |
| design of the interface for safety-related communication          | ASIsafe via M12 plug, channel 2 looped through to M12 socket on the right                |

|                               |       |
|-------------------------------|-------|
| <b>Approvals Certificates</b> |       |
| General Product Approval      | other |

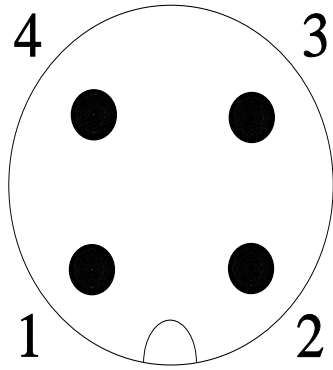
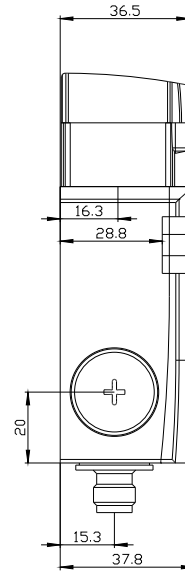
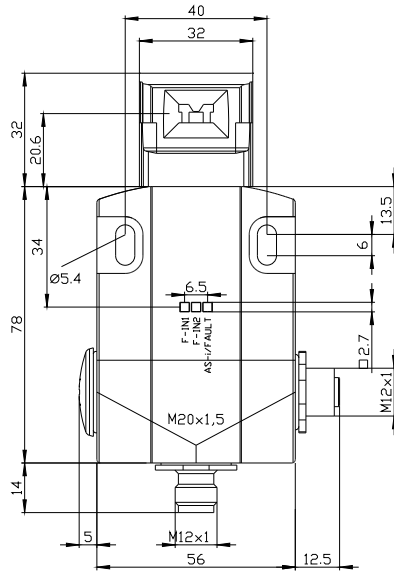


[Confirmation](#)

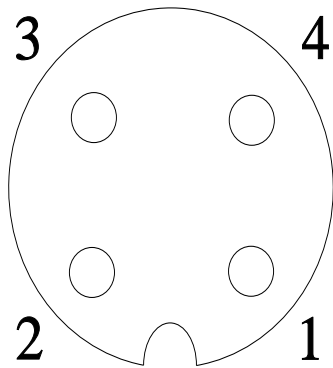
|                               |   |
|-------------------------------|---|
| other                         | Environment                                 |
| <a href="#">Miscellaneous</a> | <a href="#">Environmental Conformations</a> |

**Further information**

- Information on the packaging  
<https://support.industry.siemens.com/cs/ww/en/view/109813875>
- Information for data generation and storage  
<https://support.industry.siemens.com/cs/ww/en/view/109995012>
- Information- and Downloadcenter (Catalogs, Brochures,...)  
<https://www.siemens.com/ic10>
- Industry Mall (Online ordering system)  
<https://mall.industry.siemens.com/mall/en/en/Catalog/product?mlfb=3SF1124-1QV10-1BA2>
- Cax online generator  
<https://support.automation.siemens.com/WW/CAXorder/default.aspx?lang=en&mlfb=3SF1124-1QV10-1BA2>
- Service&Support (Manuals, Certificates, Characteristics, FAQs,...)  
<https://support.industry.siemens.com/cs/ww/en/ps/3SF1124-1QV10-1BA2>
- Image database (product images, 2D dimension drawings, 3D models, device circuit diagrams, EPLAN macros, ...)  
[https://www.automation.siemens.com/bilddb/cax\\_de.aspx?mlfb=3SF1124-1QV10-1BA2&lang=en](https://www.automation.siemens.com/bilddb/cax_de.aspx?mlfb=3SF1124-1QV10-1BA2&lang=en)



|   |   |       |
|---|---|-------|
| 1 | → | ASI + |
| 2 | → | n. c. |
| 3 | → | ASI - |
| 4 | → | n. c. |



|   |   |       |
|---|---|-------|
| 1 | → | Ch 2  |
| 2 | → | Ch 2  |
| 3 | → | n. c. |
| 4 | → | n. c. |

last modified:

4/2/2025