

Siemens
EcoTech



Pushbutton, 22 mm, round, plastic, yellow, pushbutton, flat momentary contact type



| | |
|--|----------------------------------|
| product brand name | SIRIUS ACT |
| product designation | Pushbuttons |
| design of the product | Actuating/signaling element |
| product type designation | 3SU1 |
| product line | Plastic, black, 22 mm |
| Enclosure | |
| number of command points | 1 |
| Actuator | |
| design of the actuating element | Flat button |
| principle of operation of the actuating element | momentary contact type |
| product extension optional | |
| • light source | No |
| • contact module | Yes |
| color of the actuating element | yellow |
| material of the actuating element | plastic |
| shape of the actuating element | round |
| outer diameter of the actuating element | 29.5 mm |
| Front ring | |
| product component front ring | Yes |
| design of the front ring | Standard |
| material of the front ring | plastic |
| color of the front ring | black |
| General technical data | |
| protection class IP | IP66, IP67, IP69(IP69K) |
| degree of protection NEMA rating | 1, 2, 3, 3R, 4, 4X, 12, 13 |
| shock resistance | |
| • according to IEC 60068-2-27 | sinusoidal half-wave 15g / 11 ms |
| • for railway applications according to EN 61373 | Category 1, Class B |
| vibration resistance | |
| • according to IEC 60068-2-6 | 10 ... 500 Hz: 5g |
| • for railway applications according to EN 61373 | Category 1, Class B |
| operating frequency maximum | 3 600 1/h |
| mechanical service life (operating cycles) typical | 10 000 000 |
| reference code according to IEC 81346-2 | S |
| Substance Prohibitance (Date) | 10/01/2014 |
| Weight | 15 g |

Safety related data

| | |
|--|------------|
| proportion of dangerous failures | |
| <ul style="list-style-type: none"> • with low demand rate according to SN 31920 | 20 % |
| <ul style="list-style-type: none"> • with high demand rate per NC contact according to SN 31920 | 20 % |
| <ul style="list-style-type: none"> • with high demand rate per NO contact according to SN 31920 | 50 % |
| B10 value with high demand rate according to SN 31920 | 10 000 000 |
| failure rate [FIT] with low demand rate per NC contact according to SN 31920 | 100 FIT |
| IEC 61508 | |
| T1 value for proof test interval or service life according to IEC 61508 | 20 a |

Ambient conditions

| | |
|--|--|
| ambient temperature | |
| <ul style="list-style-type: none"> • during operation | -25 ... +70 °C |
| <ul style="list-style-type: none"> • during storage | -40 ... +80 °C |
| environmental category during operation according to IEC 60721 | 3M6, 3S2, 3B2, 3C3, 3K6 (with relative air humidity of 10 ... 95%) |

Environmental footprint

| | |
|--|-----------------|
| Environmental Product Declaration (EPD) | Yes |
| global warming potential [CO2 eq] total | 0.787 kg |
| global warming potential [CO2 eq] during manufacturing | 0.566 kg |
| global warming potential [CO2 eq] during operation | 0.235 kg |
| global warming potential [CO2 eq] after end of life | -0.015 kg |
| Siemens Eco Profile (SEP) | Siemens EcoTech |

Installation/ mounting/ dimensions

| | |
|--|---------|
| height | 29.5 mm |
| width | 29.5 mm |
| shape of the installation opening | round |
| mounting diameter | 22.3 mm |
| positive tolerance of installation diameter | 0.4 mm |
| mounting height | 11 mm |
| installation width | 29.5 mm |
| installation depth | 24.3 mm |




Approvals Certificates

| General Product Approval | Test Certificates |
|---|---|
|     | Special Test Certificate Type Test Certificates/Test Report |

Maritime application

| Maritime application | other |
|---|--|
|     |  Confirmation |

Environment

| | |
|---|---|
|    | Environmental Confirmations |
|---|---|

Further information

| |
|--|
| Information on the packaging https://support.industry.siemens.com/cs/ww/en/view/109813875 |
| Information for data generation and storage |

<https://support.industry.siemens.com/cs/ww/en/view/109995012>

Information- and Downloadcenter (Catalogs, Brochures,...)

<https://www.siemens.com/ic10>

Industry Mall (Online ordering system)

<https://mall.industry.siemens.com/mall/en/en/Catalog/product?mlfb=3SU1000-0AB30-0AA0>

Cax online generator

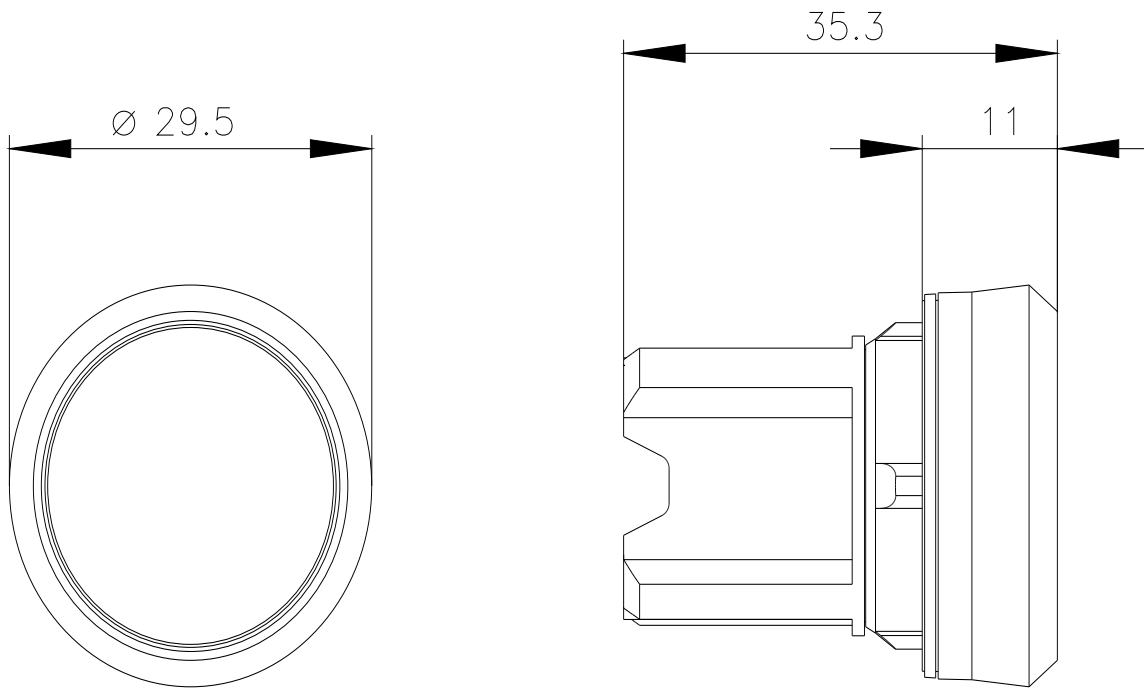
<https://support.automation.siemens.com/WW/CAXorder/default.aspx?lang=en&mlfb=3SU1000-0AB30-0AA0>

Service&Support (Manuals, Certificates, Characteristics, FAQs,...)

<https://support.industry.siemens.com/cs/ww/en/ps/3SU1000-0AB30-0AA0>

Image database (product images, 2D dimension drawings, 3D models, device circuit diagrams, EPLAN macros, ...)

https://www.automation.siemens.com/bilddb/cax_de.aspx?mlfb=3SU1000-0AB30-0AA0&lang=en



last modified:

5/17/2025 