



Support terminal, green/yellow, spring-type terminal, for floor mounting

product brand name	SIRIUS ACT
product designation	Support terminal
product type designation	3SU1
General technical data	
suitability for integration	yes
degree of pollution	3
surge voltage resistance rated value	6 kV
protection class IP	
• of the enclosure	IP40
• of the terminal	IP20
reference code according to IEC 81346-2	S
Substance Prohibition (Date)	10/01/2014
Weight	10 g
Connections/ Terminals	
type of electrical connection	spring-loaded terminals
• of modules and accessories	Spring-type terminal
type of connectable conductor cross-sections	
• solid without core end processing	2x (0.25 ... 1.5 mm ²)
• finely stranded with core end processing	2x (0.25 ... 0.75 mm ²)
• finely stranded without core end processing	2x (0.25 ... 1.5 mm ²)
• for AWG cables	2x (24 ... 16)
Ambient conditions	
ambient temperature	
• during operation	-25 ... +70 °C
• during storage	-40 ... +80 °C
Environmental footprint	
Environmental Product Declaration (EPD)	Yes
global warming potential [CO ₂ eq] total	0.787 kg
global warming potential [CO ₂ eq] during manufacturing	0.566 kg
global warming potential [CO ₂ eq] during operation	0.235 kg
global warming potential [CO ₂ eq] after end of life	-0.015 kg
Siemens Eco Profile (SEP)	Siemens EcoTech
Installation/ mounting/ dimensions	
fastening method of modules and accessories	Floor mounting
height	36 mm
width	9.8 mm

depth

33.6 mm

Approvals Certificates

General Product Approval

Test Certificates

Maritime application



[Type Test Certificates/Test Report](#)



Maritime application

other

Environment



[Confirmation](#)



Environment

[Environmental Confirmations](#)

Further information

Information on the packaging

<https://support.industry.siemens.com/cs/ww/en/view/109813875>

Information for data generation and storage

<https://support.industry.siemens.com/cs/ww/en/view/109995012>

Information- and Downloadcenter (Catalogs, Brochures,...)

<https://www.siemens.com/ic10>

Industry Mall (Online ordering system)

<https://mall.industry.siemens.com/mall/en/en/Catalog/product?mlfb=3SU1400-2DA43-3AA0>

Cax online generator

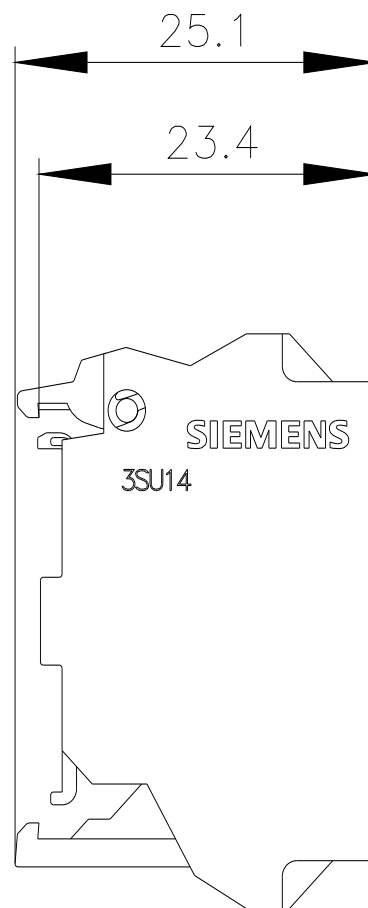
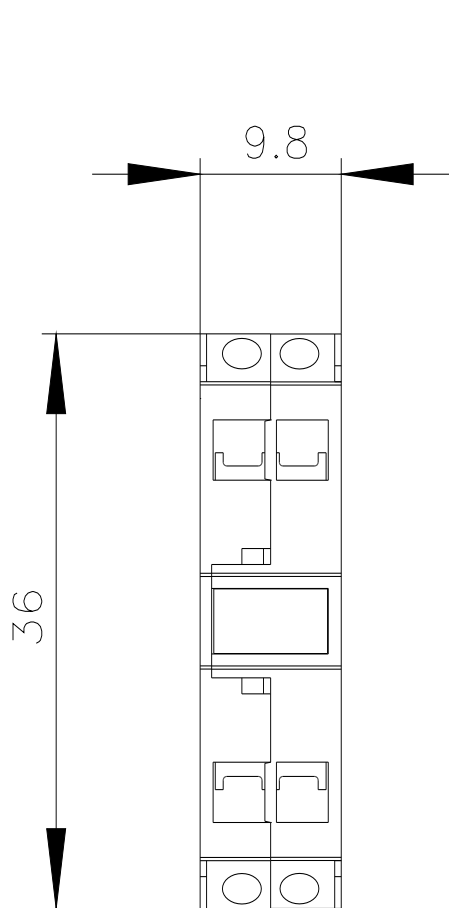
<https://support.automation.siemens.com/WW/CAXorder/default.aspx?lang=en&mlfb=3SU1400-2DA43-3AA0>

Service&Support (Manuals, Certificates, Characteristics, FAQs,...)

<https://support.industry.siemens.com/cs/ww/en/ps/3SU1400-2DA43-3AA0>

Image database (product images, 2D dimension drawings, 3D models, device circuit diagrams, EPLAN macros, ...)

https://www.automation.siemens.com/bilddb/cax_de.aspx?mlfb=3SU1400-2DA43-3AA0&lang=en



last modified:

4/2/2025 