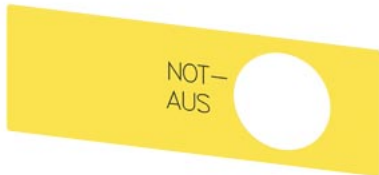






Labeling plate for EMERGENCY STOP mushroom pushbutton in the enclosure, yellow, with inscription: NOT-AUS, self-adhesive



product brand name	SIRIUS ACT
product designation	Labeling plate
design of the product	for enclosures with EMERGENCY STOP
product type designation	3SU1
General technical data	
protection class IP	IP66, IP67, IP69(IP69K)
shock resistance for railway applications according to EN 61373	Category 1, Class B
vibration resistance for railway applications according to EN 61373	Category 1, Class B
Substance Prohibitation (Date)	10/01/2014
Weight	2 g
Ambient conditions	
ambient temperature	
• during operation	70 ... -25 °C
• during storage and transport	80 ... -40 °C
Environmental footprint	
Environmental Product Declaration(EPD)	Yes
global warming potential [CO2 eq] total	0.787 kg
global warming potential [CO2 eq] during manufacturing	0.566 kg
global warming potential [CO2 eq] during operation	0.235 kg
global warming potential [CO2 eq] after end of life	-0.015 kg
Installation/ mounting/ dimensions	
height	38 mm
width	112 mm
Accessories	
material of accessory	Plastic
fastening method of label	stick
marking of the name plate for command devices	NOT-AUS
shape of the name plate for command devices	rectangular
color of the label	yellow (plate); black (font)
Approvals Certificates	
General Product Approval	Test Certificates
   	Type Test Certificates/Test Report Special Test Certificate
Maritime application	other



[Confirmation](#)

Environment

Siemens
EcoTech



[Environmental Con-
firmations](#)

Further information

Information on the packaging

<https://support.industry.siemens.com/cs/ww/en/view/109813875>

Information for data generation and storage

<https://support.industry.siemens.com/cs/ww/en/view/109995012>

Information- and Downloadcenter (Catalogs, Brochures,...)

<https://www.siemens.com/ic10>

Industry Mall (Online ordering system)

<https://mall.industry.siemens.com/mall/en/en/Catalog/product?mlfb=3SU1900-0BE31-0AS0>

Cax online generator

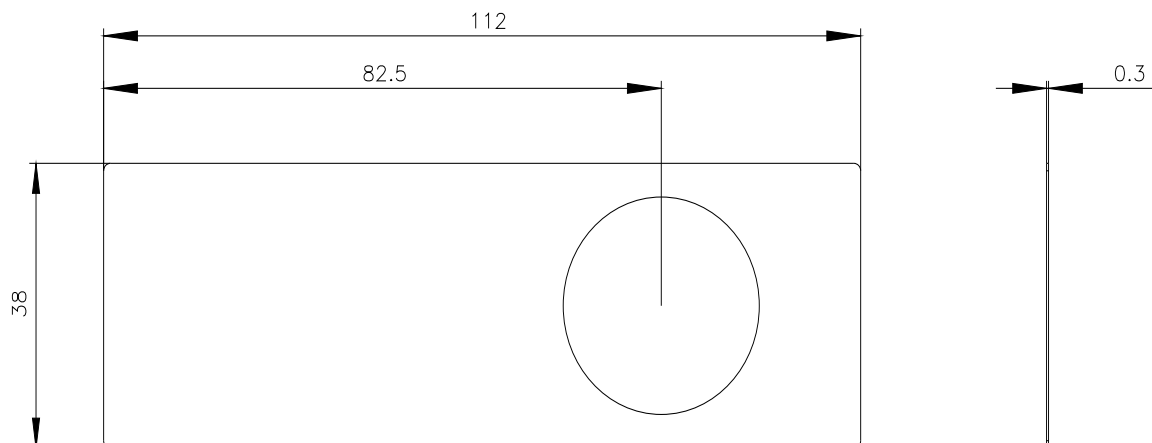
<https://support.automation.siemens.com/WW/CAXorder/default.aspx?lang=en&mlfb=3SU1900-0BE31-0AS0>

Service&Support (Manuals, Certificates, Characteristics, FAQs,...)

<https://support.industry.siemens.com/cs/ww/en/ps/3SU1900-0BE31-0AS0>

Image database (product images, 2D dimension drawings, 3D models, device circuit diagrams, EPLAN macros, ...)

https://www.automation.siemens.com/bilddb/cax_de.aspx?mlfb=3SU1900-0BE31-0AS0&lang=en



last modified:

4/2/2025