

LED light, red, 24 V DC diameter 25 mm for M20 x 1.5 threaded connection, also for 3SE7, cable-operated switch or 3SE5, position switch can be used



product brand name	SIRIUS
product category	Miscellaneous accessories
product designation	Light-emitting diode
product type designation	3SX3

General technical data	
Substance Prohibitation (Date)	07/01/2006
SVHC substance name	Lead - 7439-92-1
Weight	0.021 kg

Approvals Certificates	
General Product Approval	other



[Confirmation](#)

### Environment

[Environmental Confirmations](#)

### Further information

#### Information on the packaging

<https://support.industry.siemens.com/cs/ww/en/view/109813875>

#### Information for data generation and storage

<https://support.industry.siemens.com/cs/ww/en/view/109995012>

#### Information- and Downloadcenter (Catalogs, Brochures,...)

<https://www.siemens.com/ic10>

#### Industry Mall (Online ordering system)

<https://mall.industry.siemens.com/mall/en/en/Catalog/product?mlfb=3SX3235>

#### Cax online generator

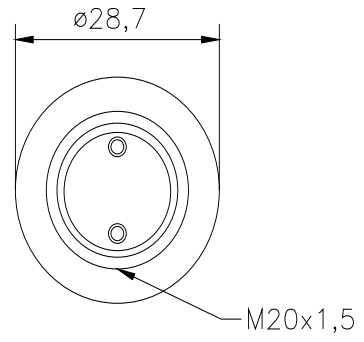
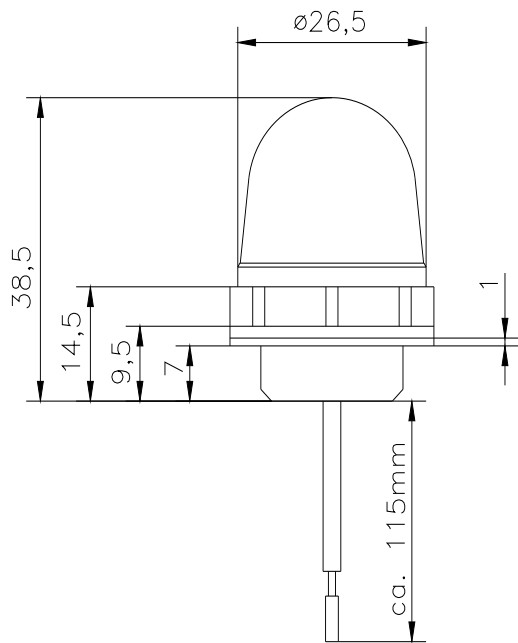
<https://support.automation.siemens.com/WW/CAXorder/default.aspx?lang=en&mlfb=3SX3235>

#### Service&Support (Manuals, Certificates, Characteristics, FAQs,...)

<https://support.industry.siemens.com/cs/ww/en/ps/3SX3235>

#### Image database (product images, 2D dimension drawings, 3D models, device circuit diagrams, EPLAN macros, ...)

[https://www.automation.siemens.com/bilddb/cax\\_de.aspx?mlfb=3SX3235&lang=en](https://www.automation.siemens.com/bilddb/cax_de.aspx?mlfb=3SX3235&lang=en)



last modified:

10/22/2025 