



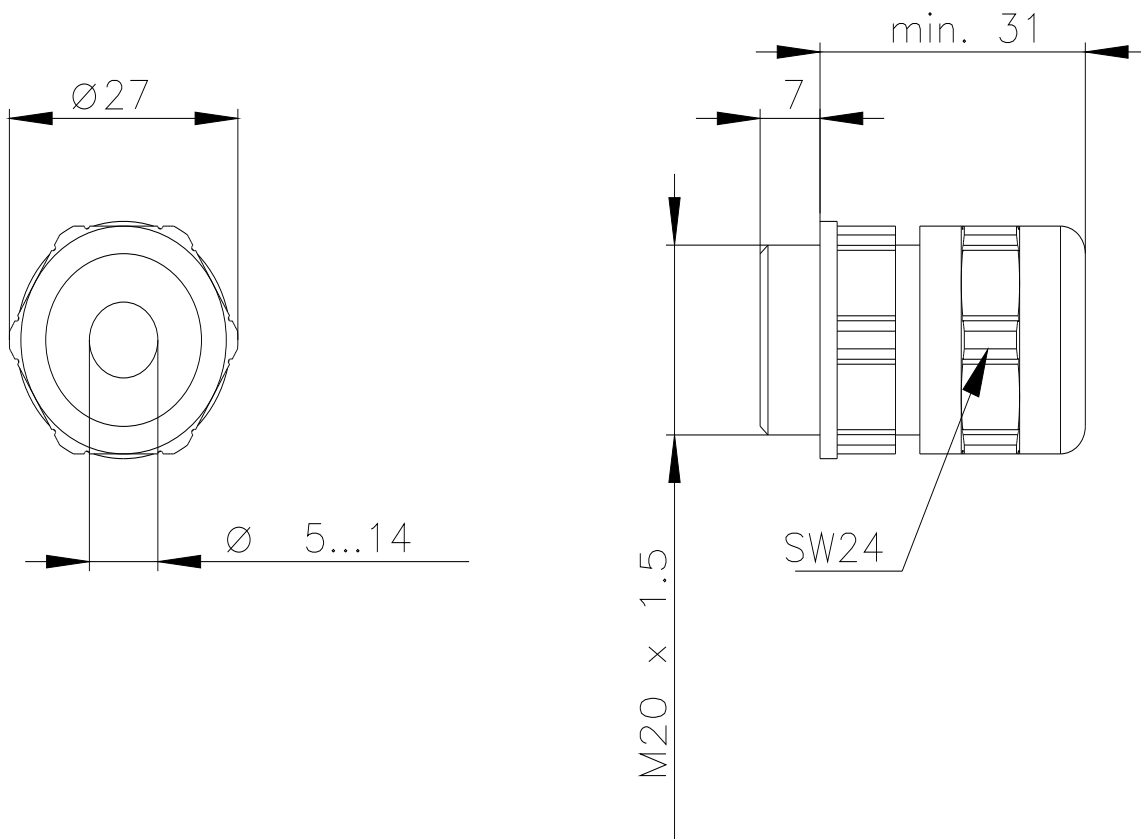




Cable gland M20 x 1.5 High degree of protection IP69, IEC 60529 for mechanical safety switches with tumbler 3SE53...-.....-1AG4

General technical data		
product brand name	SIRIUS	
Certificates/ approvals		
General Product Approval	other	Environment
	 EG-Konf.	
		Confirmation Environmental Confirmations

Further information
<p>Information on the packaging https://support.industry.siemens.com/cs/ww/en/view/109813875</p> <p>Information for data generation and storage https://support.industry.siemens.com/cs/ww/en/view/109995012</p> <p>Information- and Downloadcenter (Catalogs, Brochures,...) https://www.siemens.com/ic10</p> <p>Industry Mall (Online ordering system) https://mall.industry.siemens.com/mall/en/en/Catalog/product?mlfb=3SX5601-1A</p> <p>Cax online generator https://support.automation.siemens.com/WW/CAXorder/default.aspx?lang=en&mlfb=3SX5601-1A</p> <p>Service&Support (Manuals, Certificates, Characteristics, FAQs,...) https://support.industry.siemens.com/cs/ww/en/ps/3SX5601-1A</p> <p>Image database (product images, 2D dimension drawings, 3D models, device circuit diagrams, EPLAN macros, ...) https://www.automation.siemens.com/bilddb/cax_de.aspx?mlfb=3SX5601-1A&lang=en</p>



last modified:

10/22/2025 