



coupling with connecting cable 5 m long, with 8 mm latching connection, for connector 6-pole, for 3SE66 magnetically-operated switch

| General technical data | |
|--|--|
| product brand name | SIRIUS |
| product designation | Coupling, socket 8mm, 6-pole, snap fit, for 3SE66 |
| operational current at 40 °C rated value | 1.5 A |
| operating voltage rated value | 30 V |
| number of poles | 6 |
| wire length of connection cable | 5 m |
| ambient temperature during operation | -25 ... +80 °C |
| type of electrical connection | 8 mm connector, 6-pin, snap-in locking mechanism |
| color coding of the core | Pin 1 = BN, Pin 2 = WH, Pin 3 = GN, Pin 4 = YE, Pin 5 = GY, Pin 6 = BU |
| overvoltage category | 2 |
| degree of pollution | 3 |
| protection class IP | IP65 |
| material | |
| <ul style="list-style-type: none"> • of the contact • of contact coating • of contact main body | <p>CuZn</p> <p>Au</p> <p>TPU</p> |

| Certificates/ approvals | | |
|--------------------------|-------|-------------|
| General Product Approval | other | Environment |



[Confirmation](#)

[Environmental Confirmations](#)

Further information

Information on the packaging

<https://support.industry.siemens.com/cs/ww/en/view/109813875>

Information for data generation and storage

<https://support.industry.siemens.com/cs/ww/en/view/109995012>

Information- and Downloadcenter (Catalogs, Brochures,...)

<https://www.siemens.com/ic10>

Industry Mall (Online ordering system)

<https://mall.industry.siemens.com/mall/en/en/Catalog/product?mlfb=3SX5601-4GA05>

Cax online generator

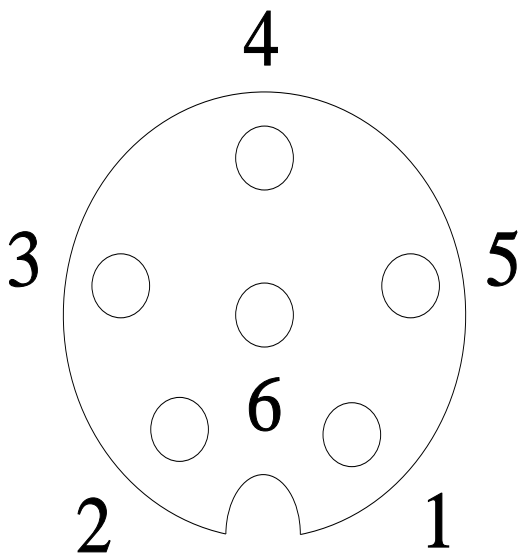
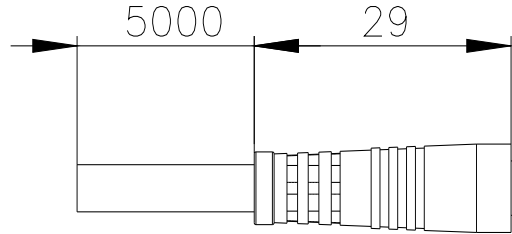
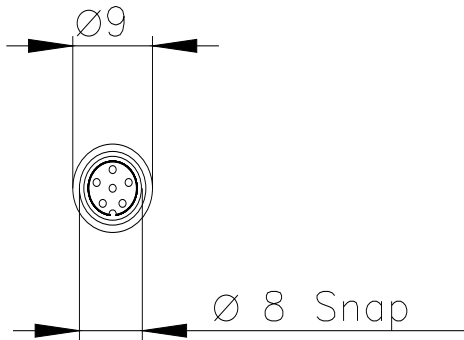
<https://support.automation.siemens.com/WW/CAXorder/default.aspx?lang=en&mlfb=3SX5601-4GA05>

Service&Support (Manuals, Certificates, Characteristics, FAQs,...)

<https://support.industry.siemens.com/cs/ww/en/ps/3SX5601-4GA05>

Image database (product images, 2D dimension drawings, 3D models, device circuit diagrams, EPLAN macros, ...)

https://www.automation.siemens.com/bilddb/cax_de.aspx?mlfb=3SX5601-4GA05&lang=en



| | |
|---|-------------|
| 1 | BN = Brown |
| 2 | WH = White |
| 3 | GN = Green |
| 4 | YE = Yellow |
| 5 | GY = Grey |
| 6 | BU = Blue |

